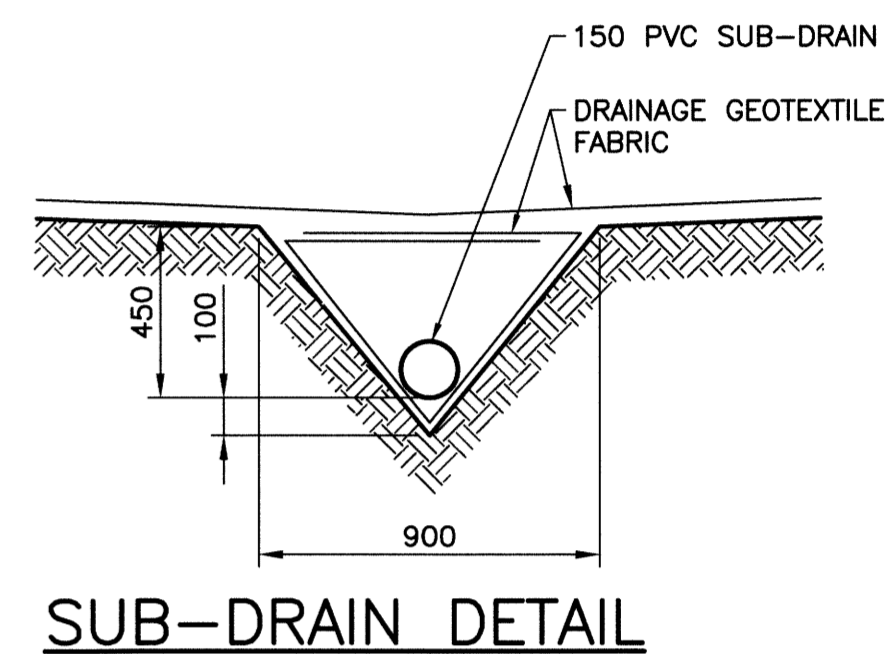


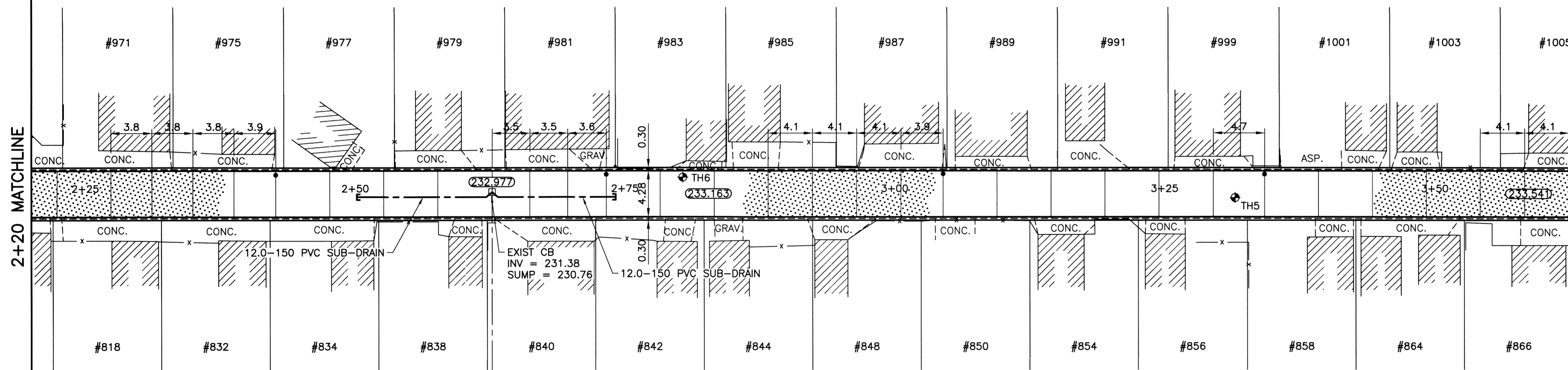
TYPICAL CROSS SECTION
SCALE: 1:50



SUB-DRAIN DETAIL
SCALE: 1:20

ALLEY PAVEMENT PROFILE
SCALE: 1:250 HOR
1:10 VER

DOMINION STREET



GARFIELD STREET

ALLEY PAVEMENT PLAN
SCALE: 1:250 HOR

NOTES:

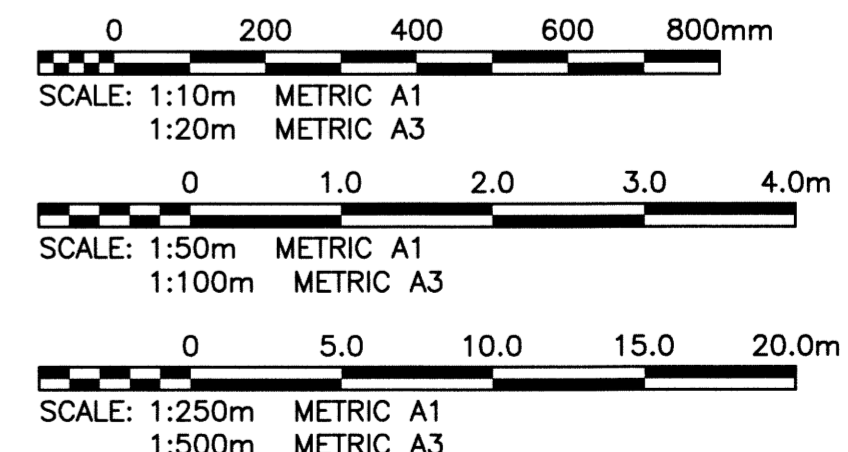
- STATION CHAINAGE IS BASED ON CENTERLINE OF ALLEY RIGHT OF WAY.
- ADJUST MH AND CB RIMS TO NEW GRADES.
- PLUG SUB-DRAINS AT TERMINAL ENDS.
- REGRADE EXISTING PRIVATE SIDEWALKS AS REQUIRED.
- INSTALLATION OF LIP CURBS AND THEIR EXTENTS TO BE DETERMINED BY THE CONTRACT ADMINISTRATOR.
- LIGHT STANDARDS, HYDRO POLES AND ANCHORS MAY REQUIRE TEMPORARY SUPPORT/REMOVAL OR REPLACEMENT AT THE CONTRACTOR'S EXPENSE.
- ISOLATE ALL POLES, BASES AND PILES WITHIN ALLEY RIGHT OF WAY (SD-228C)
- AVOID DAMAGE TO EXISTING TREES WITHIN THE LIMITS OF CONSTRUCTION.

WARNING

NOTIFY THE GAS COMPANY OF THE PROPOSED LOCATION OF EXCAVATION. TAKE PRECAUTION TO AVOID DAMAGE TO GAS COMPANY INSTALLATIONS. SEE PROVINCIAL REGULATION 210/72 FOR DETAILS.

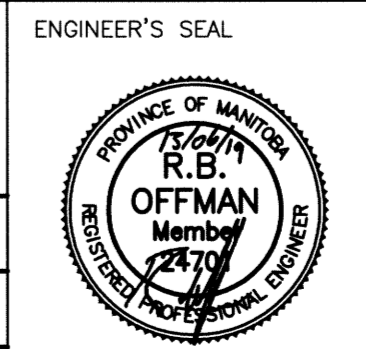
METRIC

WHOLE NUMBERS INDICATE MILLIMETRES
DECIMALIZED NUMBERS INDICATE METRES



PROPERTY LIMITS DELINEATION

DELINEATION OF PROPERTY LIMITS AS SHOWN ON THIS DWG DOES NOT REPRESENT A "LEGAL SURVEY". KGS GROUP MAKES NO REPRESENTATION OR WARRANTY AS TO THE ACCURACY OF PROPERTY LIMITS DELINEATED ON THIS DWG, NOR ON THE DIMENSIONAL ACCURACY OF DWG FEATURES RELATIVE TO THOSE PROPERTY LIMITS.



THE CITY OF WINNIPEG
PUBLIC WORKS DEPARTMENT
TRANSPORTATION ENGINEERING DIVISION

PROJECT TITLE
2013 ALLEY RENEWAL PROGRAM
CONTRACT 1
DOMINION ST/GARFIELD ST
ELLICE AVE TO SARGENT AVE
STA 2+20 TO STA 3+62.5

SHEET 10 OF 16
COMPUTER FILE NAME
13-0107-007_CALL
CITY DRAWING NUMBER
0010

CONSULTANT DRAWING NO.
13-0107-007_C10

KGS GROUP
CONSULTING ENGINEERS

DESIGNED BY RBO CHECKED BY CR
DRAWN BY GEL APPROVED BY [Signature]
HOR. SCALE: 1:250
VERTICAL: 1:50
RELEASED FOR CONSTRUCTION: [Signature]
DATE: 13/06/12

DATE: 13/06/12

300 LBS	LAND DRAINAGE SEWER	300 LBS		TEST HOLE	
250 WWS	WASTE WATER SEWER	250 WWS		GUY WIRE	
	GAS			LIGHT STANDARD	
	HYDRO			BACK OF CURB	
	M.T.S.			CONCRETE	
150 WM	WATERMAIN	150 WM		ASPHALT	
	HYDRANT			SIDEWALK	
	VALVE			PROPERTY LINE	
	MANHOLE			SURVEY BAR	
	CATCH BASIN			GEODETIC BENCHMARK	
	CURB INLET			ELEVATION	(32.231)
	POLES - HYDRO		231.334		TTTTT
EXISTING	LEGEND-PLAN	PROPOSED	EXISTING	LEGEND-PLAN	PROPOSED
				LEGEND-PROFILE	PROPOSED

P:\Projects\2013\13-0107-007\Doc\Control\Tab\Release\DWG\13-0107-007_C10-Rev 0.dwg - Tab: 10 Plotted By: Gloewen 06/19/2013 [Wed 7:15am] PLOT: 1:1 A-1