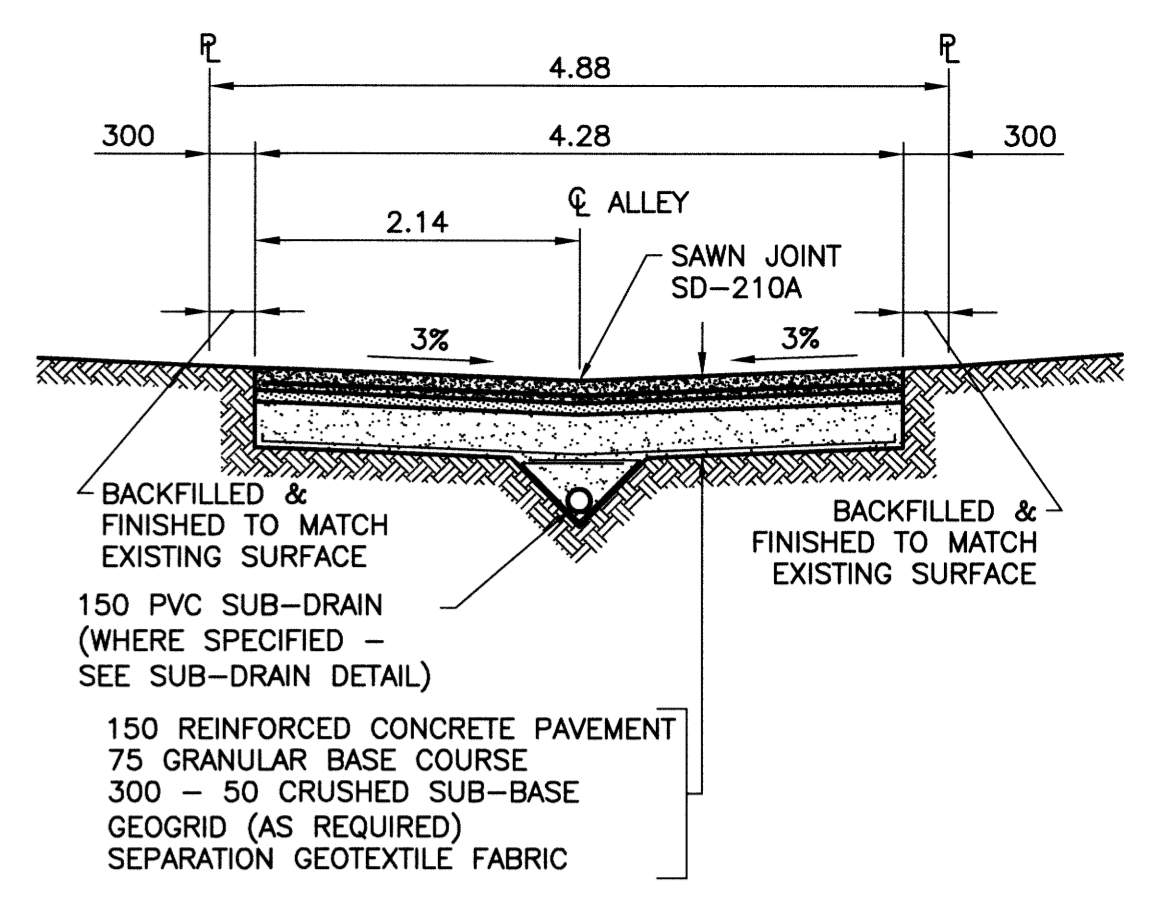
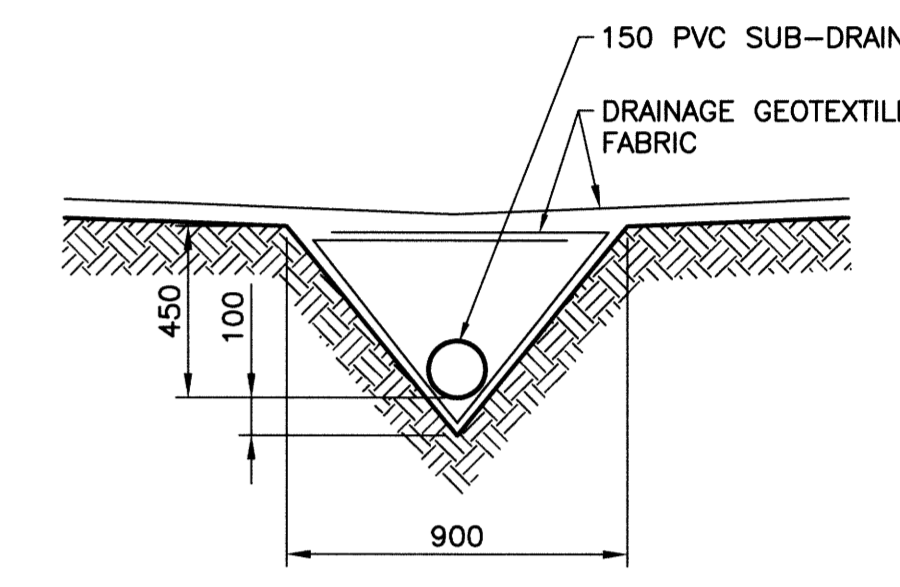


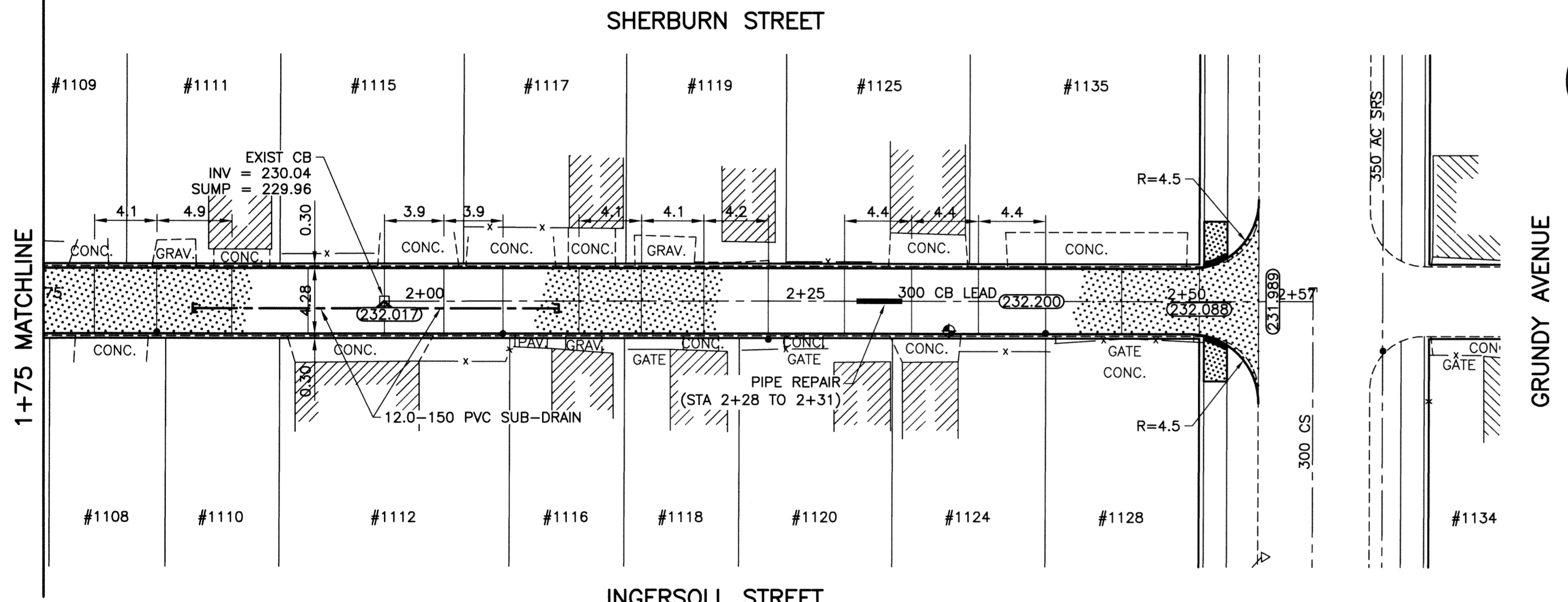
ALLEY PAVEMENT PROFILE
SCALE: 1:250 HOR
1:10 VER



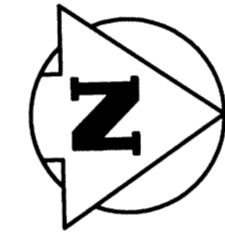
TYPICAL CROSS SECTION
SCALE: 1:50



SUB-DRAIN DETAIL
SCALE: 1:20

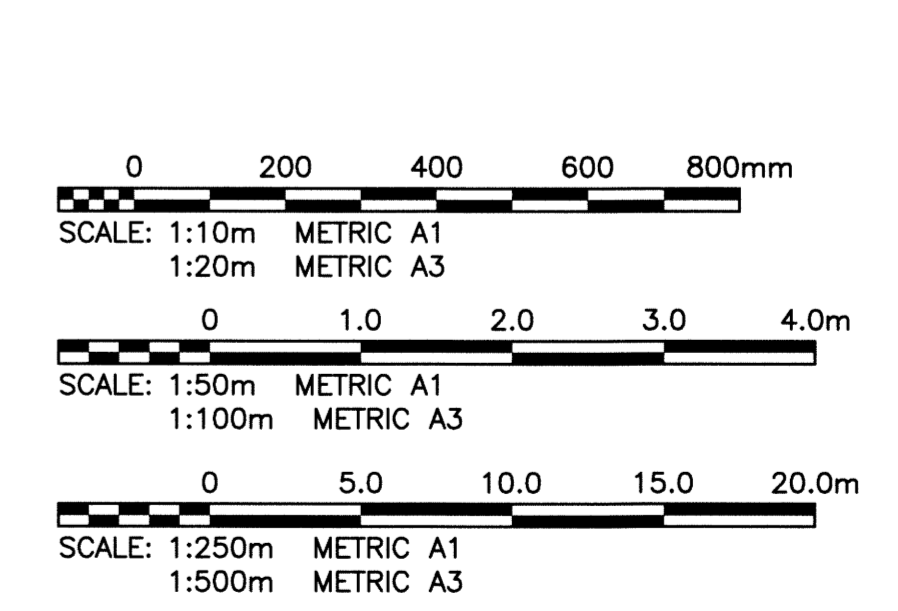


ALLEY PAVEMENT PLAN
SCALE: 1:250 HOR



- NOTES:**
1. STATION CHAINAGE IS BASED ON CENTERLINE OF ALLEY RIGHT OF WAY.
 2. ADJUST MH AND CB RIMS TO NEW GRADES.
 3. PLUG SUB-DRAINS AT TERMINAL ENDS.
 4. REGRADE EXISTING PRIVATE SIDEWALKS AS REQUIRED.
 5. INSTALLATION OF LIP CURBS AND THEIR EXTENTS TO BE DETERMINED BY THE CONTRACT ADMINISTRATOR.
 6. LIGHT STANDARDS, HYDRO POLES AND ANCHORS MAY REQUIRE TEMPORARY SUPPORT/REMOVAL OR REPLACEMENT AT THE CONTRACTOR'S EXPENSE.
 7. ISOLATE ALL POLES, BASES AND PILES WITHIN ALLEY RIGHT OF WAY (SD-228C)
 8. AVOID DAMAGE TO EXISTING TREES WITHIN THE LIMITS OF CONSTRUCTION.

WARNING
NOTIFY THE GAS COMPANY OF THE PROPOSED LOCATION OF EXCAVATION. TAKE PRECAUTION TO AVOID DAMAGE TO GAS COMPANY INSTALLATIONS. SEE PROVINCIAL REGULATION 210/72 FOR DETAILS.



METRIC
WHOLE NUMBERS INDICATE MILLIMETRES
DECIMALIZED NUMBERS INDICATE METRES

PROPERTY LIMITS DELINEATION
DELINEATION OF PROPERTY LIMITS AS SHOWN ON THIS DWG DOES NOT REPRESENT A "LEGAL SURVEY". KGS GROUP MAKES NO REPRESENTATION OR WARRANTY AS TO THE ACCURACY OF PROPERTY LIMITS DELINEATED ON THIS DWG, NOR ON THE DIMENSIONAL ACCURACY OF DWG FEATURES RELATIVE TO THOSE PROPERTY LIMITS.



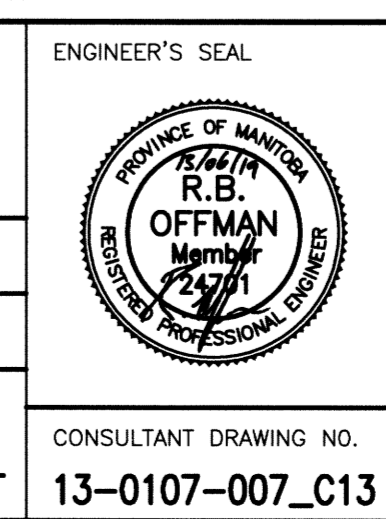
300 LDS	LAND DRAINAGE SEWER	300 LDS							
250 WWS	WASTE WATER SEWER	250 WWS	TEST HOLE						
	GAS		GUY WIRE						
	HYDRO		LIGHT STANDARD						
	M.T.S.		BACK OF CURB						
150 WM	WATERMAIN	150 WM	CONCRETE						
	HYDRANT		ASPHALT						
	VALVE		SIDEWALK						
	MANHOLE		PROPERTY LINE						
	CATCH BASIN		SURVEY BAR						
	CURB INLET		GEODETIC BENCHMARK						
	POLES		ELEVATION	231.334					
EXISTING	LEGEND-PLAN	PROPOSED	EXISTING	LEGEND-PLAN	PROPOSED	EXISTING	LEGEND-PROFILE	PROPOSED	

LOCATION APPROVED UNDERGROUND STRUCTURES

SUPV. U/G STRUCTURES COMMITTEE DATE

NOTE:
LOCATION OF UNDERGROUND STRUCTURES AS SHOWN ARE BASED ON THE BEST INFORMATION AVAILABLE BUT NO GUARANTEE IS GIVEN THAT ALL EXISTING UTILITIES ARE SHOWN OR THAT THE GIVEN LOCATIONS ARE EXACT. CONFIRMATION OF EXISTENCE AND EXACT LOCATION OF ALL SERVICES MUST BE OBTAINED FROM THE INDIVIDUAL UTILITIES BEFORE PROCEEDING WITH CONSTRUCTION.

B.M. 36-007 ELEV. 232.065	N.W. Cor. Notre Dame & McPhillips in traffic island, Brass plug beneath Valve Box, 2.7m S. of N.E. of Notre Dame produced from the W. & 0.3m W. of W.L. McPhillips produced from the N.
DESIGNED BY RBO	CHECKED BY CR
DRAWN BY GEL	APPROVED BY
HOR. SCALE: 1:250	RELEASED FOR CONSTRUCTION:
VERTICAL: 1:50	DATE
ISSUED FOR TENDER 13/06/25	BY RBO
NO. REVISIONS	DATE
	13/06/12



THE CITY OF WINNIPEG
PUBLIC WORKS DEPARTMENT
TRANSPORTATION ENGINEERING DIVISION

PROJECT TITLE
2013 ALLEY RENEWAL PROGRAM
CONTRACT 1
SHERBURN ST/INGERSOLL ST
YARWOOD AVE TO GRUNDY AVE
STA 1+75 TO GRUNDY AVE

SHEET OF
13 OF **16**

COMPUTER FILE NAME
13-0107-007_CALL

CITY DRAWING NUMBER
0013

CONSULTANT DRAWING NO.
13-0107-007_C13

P:\Projects\2013\13-0107-007\DocControl\ToBeIssued\DWG\13-0107-007-C13-Rev 0.dwg - Tab: 13 Plotted By: Gleenen 06/19/2013 [Wed 7:17am] PLOT 1:1 A