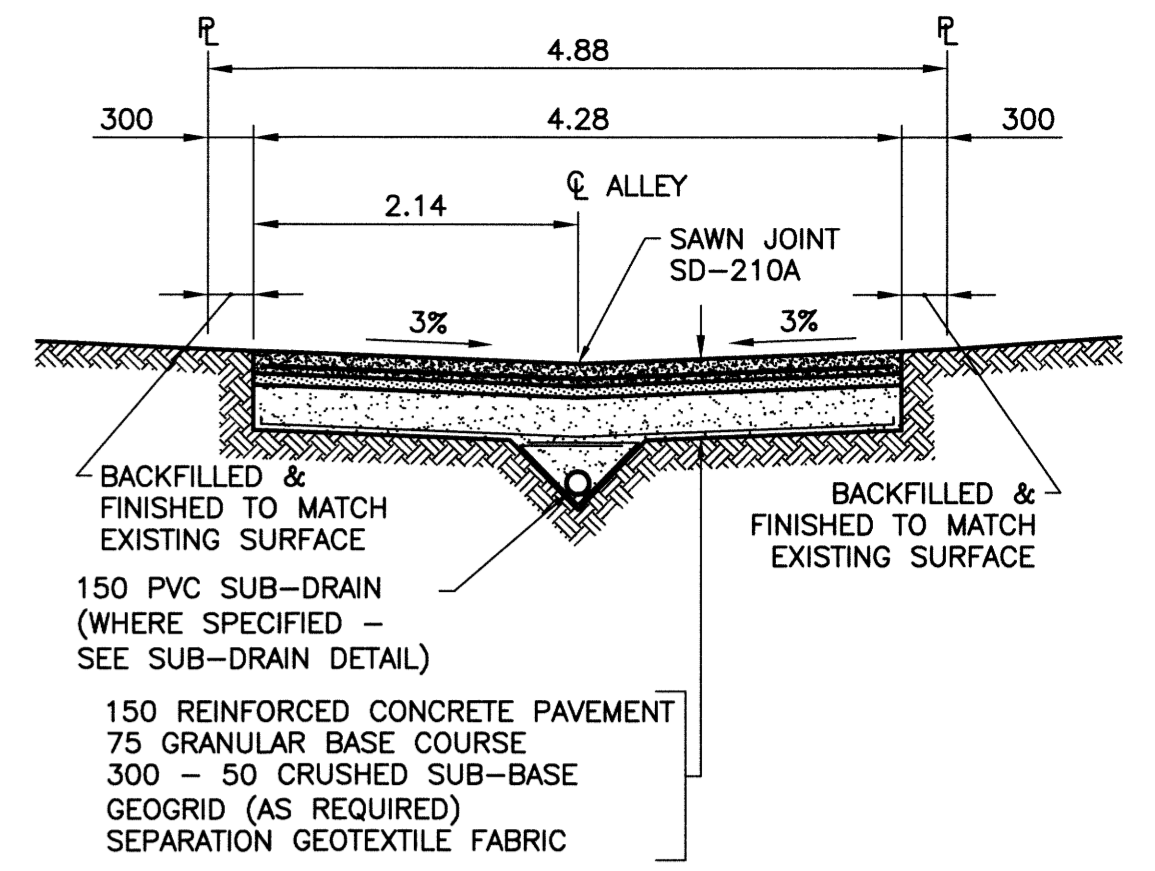
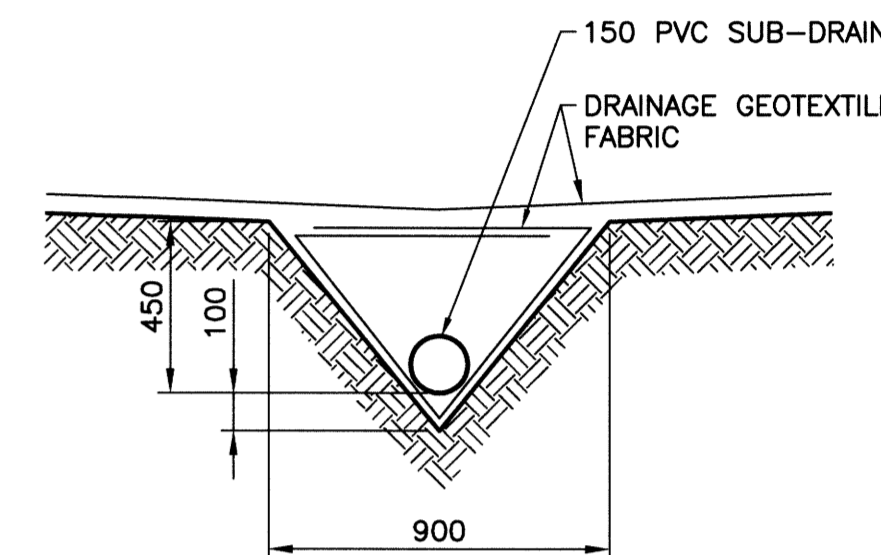


ALLEY PAVEMENT PROFILE
SCALE: 1:250 HOR
1:10 VER



TYPICAL CROSS SECTION
SCALE: 1:50

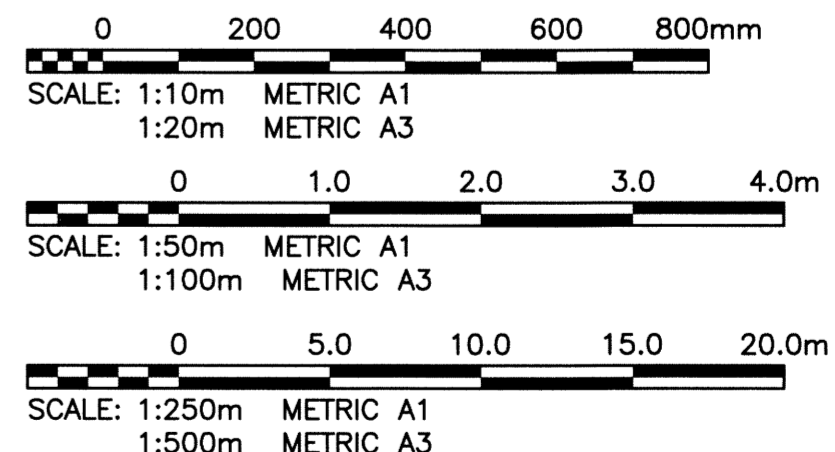


SUB-DRAIN DETAIL
SCALE: 1:20

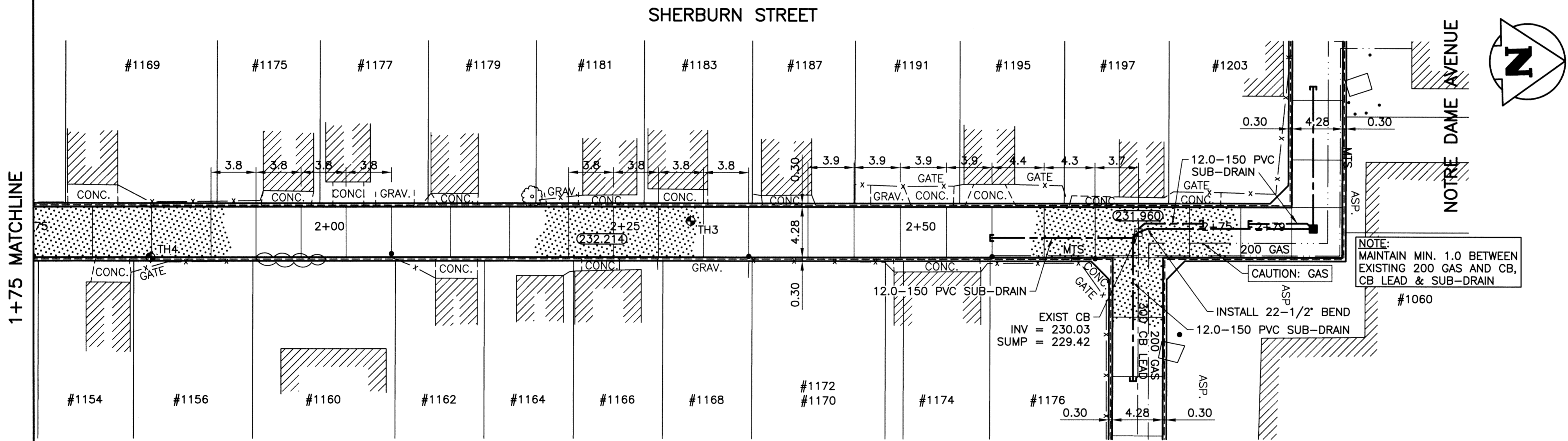
- NOTES:**
- STATION CHAINAGE IS BASED ON CENTERLINE OF ALLEY RIGHT OF WAY.
 - ADJUST MH AND CB RIMS TO NEW GRADES.
 - PLUG SUB-DRAINS AT TERMINAL ENDS.
 - REGRADE EXISTING PRIVATE SIDEWALKS AS REQUIRED.
 - INSTALLATION OF LIP CURBS AND THEIR EXTENTS TO BE DETERMINED BY THE CONTRACT ADMINISTRATOR.
 - LIGHT STANDARDS, HYDRO POLES AND ANCHORS MAY REQUIRE TEMPORARY SUPPORT/REMOVAL OR REPLACEMENT AT THE CONTRACTOR'S EXPENSE.
 - ISOLATE ALL POLES, BASES AND PILES WITHIN ALLEY RIGHT OF WAY (SD-228C).
 - AVOID DAMAGE TO EXISTING TREES WITHIN THE LIMITS OF CONSTRUCTION.
 - CITY OF WINNIPEG SURVEY MONUMENTS EXIST ON THIS SITE. CONTRACTOR TO CONTACT THE CITY OF WINNIPEG GEOMATICS BRANCH 5 WORKING DAYS IN ADVANCE OF CONSTRUCTION TO COORDINATE MONUMENT PROTECTION SERVICES (204-918-1360).

WARNING
NOTIFY THE GAS COMPANY OF THE PROPOSED LOCATION OF EXCAVATION. TAKE PRECAUTION TO AVOID DAMAGE TO GAS COMPANY INSTALLATIONS. SEE PROVINCIAL REGULATION 210/72 FOR DETAILS.

METRIC
WHOLE NUMBERS INDICATE MILLIMETRES
DECIMALIZED NUMBERS INDICATE METRES



PROPERTY LIMITS DELINEATION
DELINEATION OF PROPERTY LIMITS AS SHOWN ON THIS DWG DOES NOT REPRESENT A "LEGAL SURVEY". KGS GROUP MAKES NO REPRESENTATION OR WARRANTY AS TO THE ACCURACY OF PROPERTY LIMITS DELINEATED ON THIS DWG, NOR ON THE DIMENSIONAL ACCURACY OF DWG FEATURES RELATIVE TO THOSE PROPERTY LIMITS.



ALLEY PAVEMENT PLAN
SCALE: 1:250 HOR



300 LBS	LAND DRAINAGE SEWER	300 LBS					
250 WWS	WASTE WATER SEWER	250 WWS	TEST HOLE				
	GAS		GUY WIRE				
	HYDRO		LIGHT STANDARD				
	M.T.S.		BACK OF CURB				
150 WM	WATERMAIN	150 WM	CONCRETE				
	HYDRANT		ASPHALT				
	VALVE		SIDEWALK				
	MANHOLE		PROPERTY LINE				
	CATCH BASIN		SURVEY BAR				
	CURB INLET		GEODETIC BENCHMARK				
	POLES		ELEVATION	231.334			
EXISTING	LEGEND-PLAN	PROPOSED	EXISTING	LEGEND-PLAN	PROPOSED	EXISTING	LEGEND-PROFILE

LOCATION APPROVED UNDERGROUND STRUCTURES
SUPV. U/G STRUCTURES COMMITTEE DATE
NOTE: LOCATION OF UNDERGROUND STRUCTURES AS SHOWN ARE BASED ON THE BEST INFORMATION AVAILABLE BUT NO GUARANTEE IS GIVEN THAT ALL EXISTING UTILITIES ARE SHOWN OR THAT THE GIVEN LOCATIONS ARE EXACT. CONFIRMATION OF EXISTENCE AND EXACT LOCATION OF ALL SERVICES MUST BE OBTAINED FROM THE INDIVIDUAL UTILITIES BEFORE PROCEEDING WITH CONSTRUCTION.

B.M. 36-007	N.W. Cor. Notre Dame & McPhillips in traffic island, Brass plug beneath Valve Box, 2.7m S. of N.L. of Notre Dame produced from the W. & 0.3m W. of W.L. McPhillips produced from the N.	ELEV. 232.065
NO.	REVISIONS	DATE
0	ISSUED FOR TENDER	13/06/25

DESIGNED BY	RBO	CHECKED BY	CR
DRAWN BY	GEL	APPROVED BY	
HOR. SCALE:	1:250	RELEASED FOR CONSTRUCTION:	
VERTICAL:	1:50	DATE	13/06/12

ENGINEER'S SEAL
PROVINCE OF MANITOBA
REGISTERED PROFESSIONAL ENGINEER
R.B. OFFMAN
Member
Professional Engineers

THE CITY OF WINNIPEG
PUBLIC WORKS DEPARTMENT
TRANSPORTATION ENGINEERING DIVISION

PROJECT TITLE
2013 ALLEY RENEWAL PROGRAM CONTRACT 1

SHERBURN ST/INGERSOLL ST
GRUNDY AVE TO NOTRE DAME AVE
STA 1+75 TO LANE EAST

SHEET 15 OF 16
COMPUTER FILE NAME
13-0107-007_CALL
CITY DRAWING NUMBER
0015

CONSULTANT DRAWING NO.
13-0107-007_C15

P:\Projects\2013\13-0107-007\DocControl\ToRelease\DWG\13-0107-007_C15-Rev 0.dwg - Tab: 15 Plotted By: Gloemen 06/19/2013 [Wed 7:18am] PLOT: 1:1 A