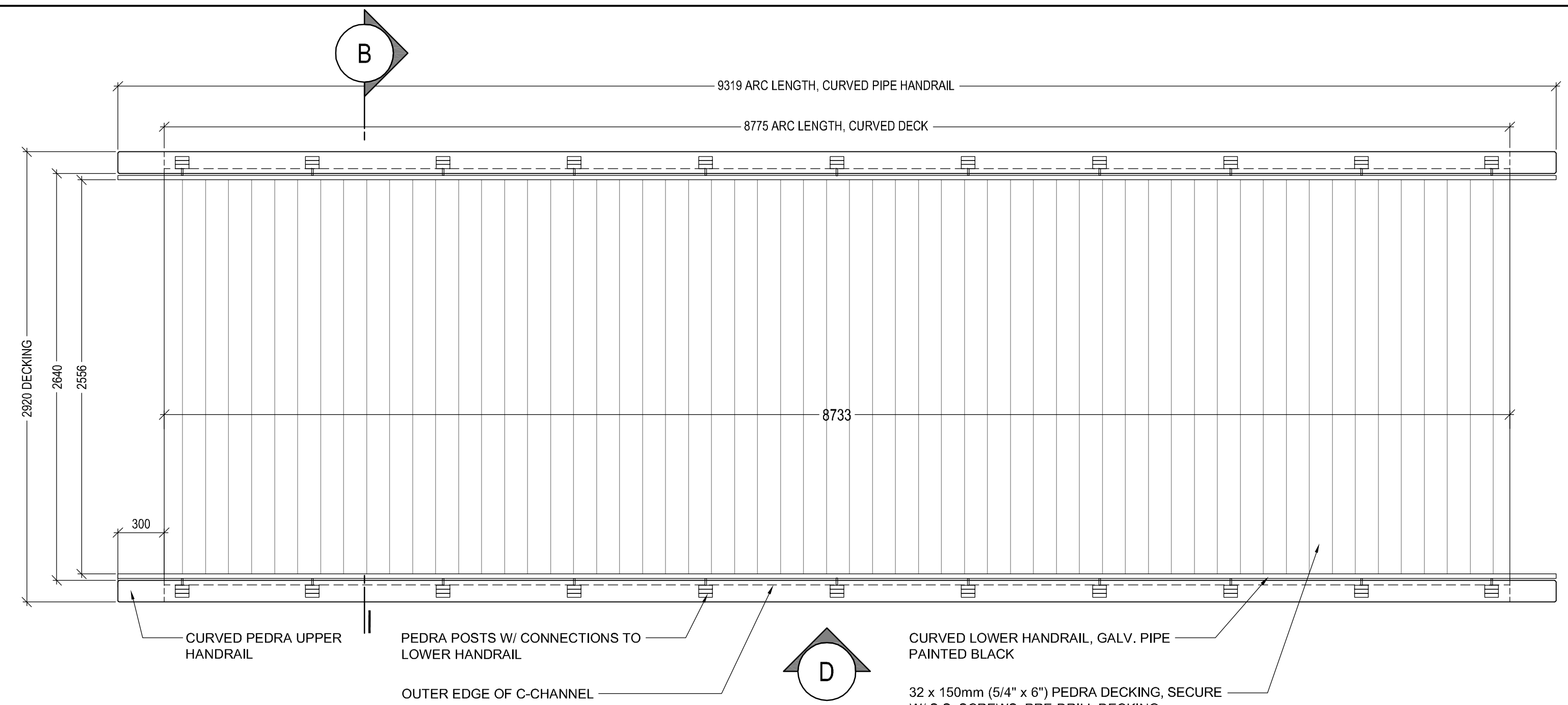
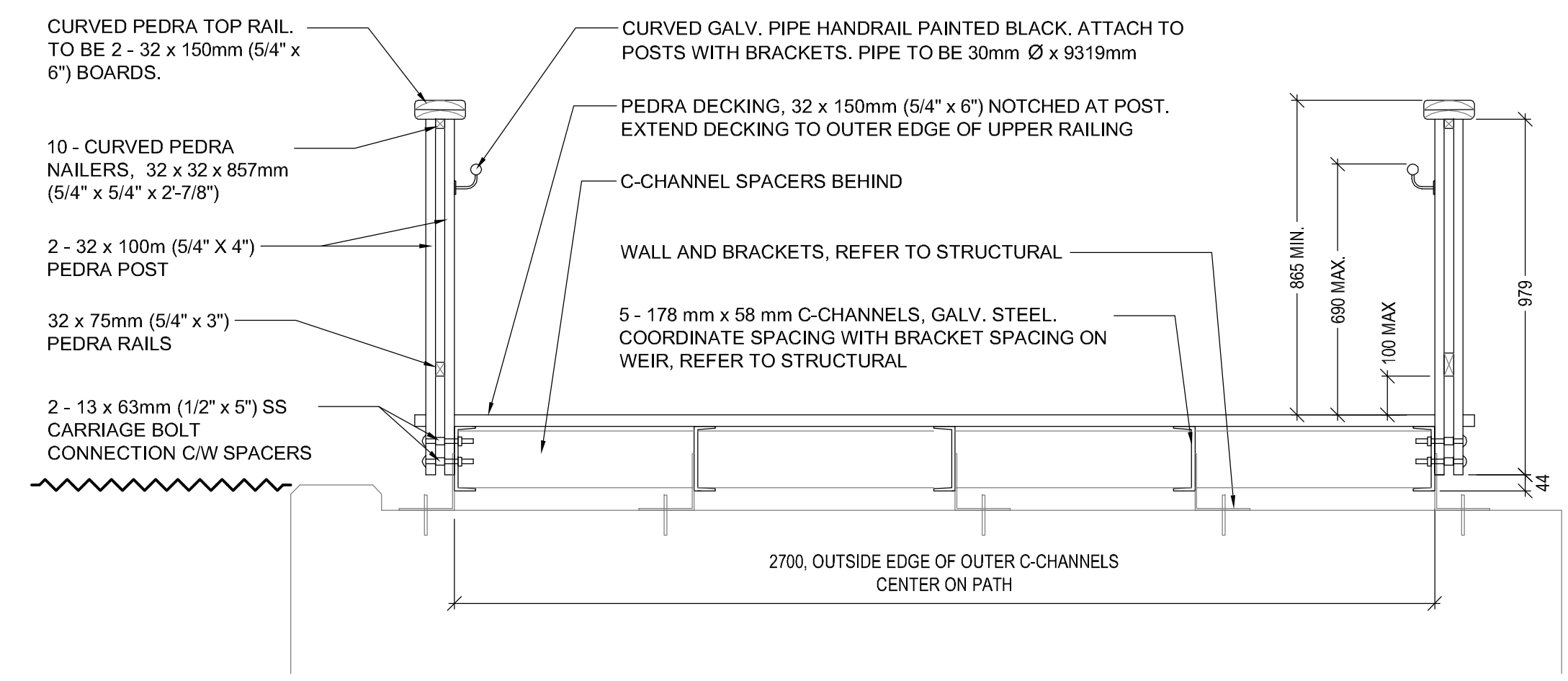


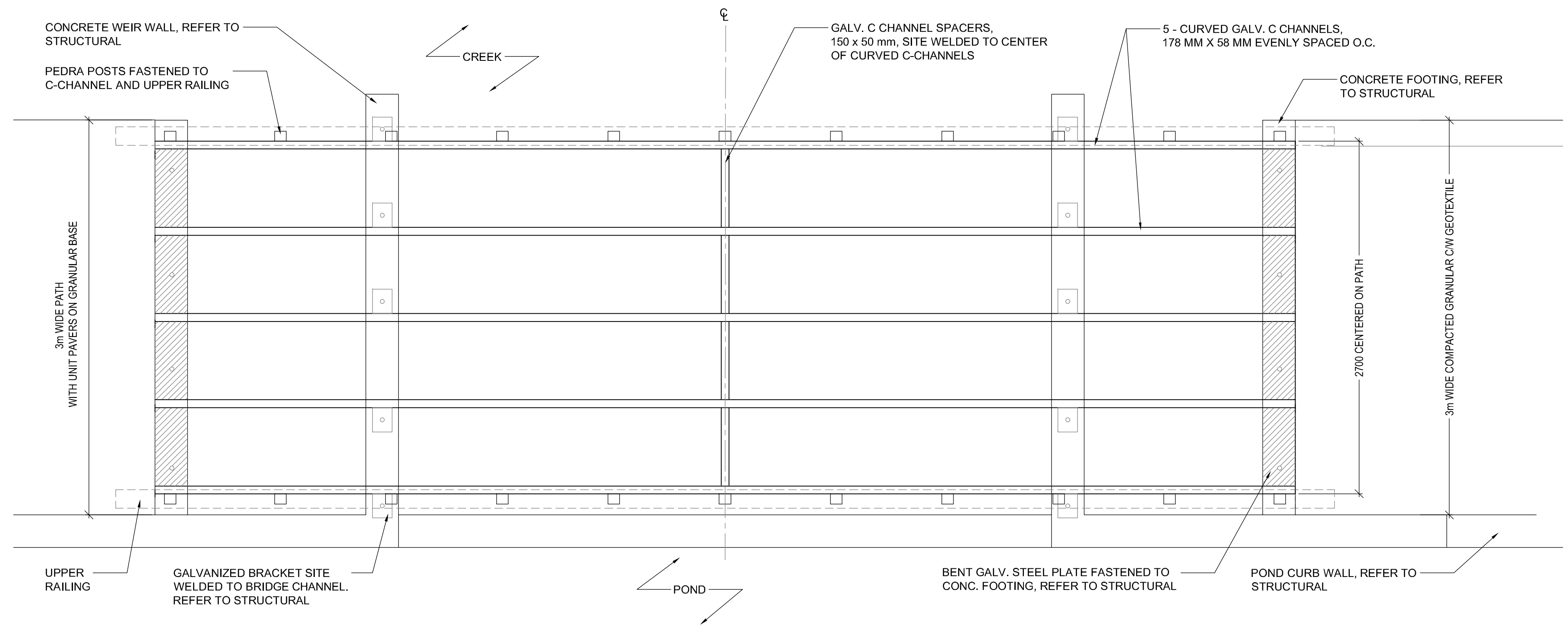
sheet size - Super A1 24" x 36" plot scale - 1:1 (metric) CAD file name: eg_working_pond_renov.dwg



A PLAN
SCALE - 1 : 25



B SECTION
SCALE - 1 : 15



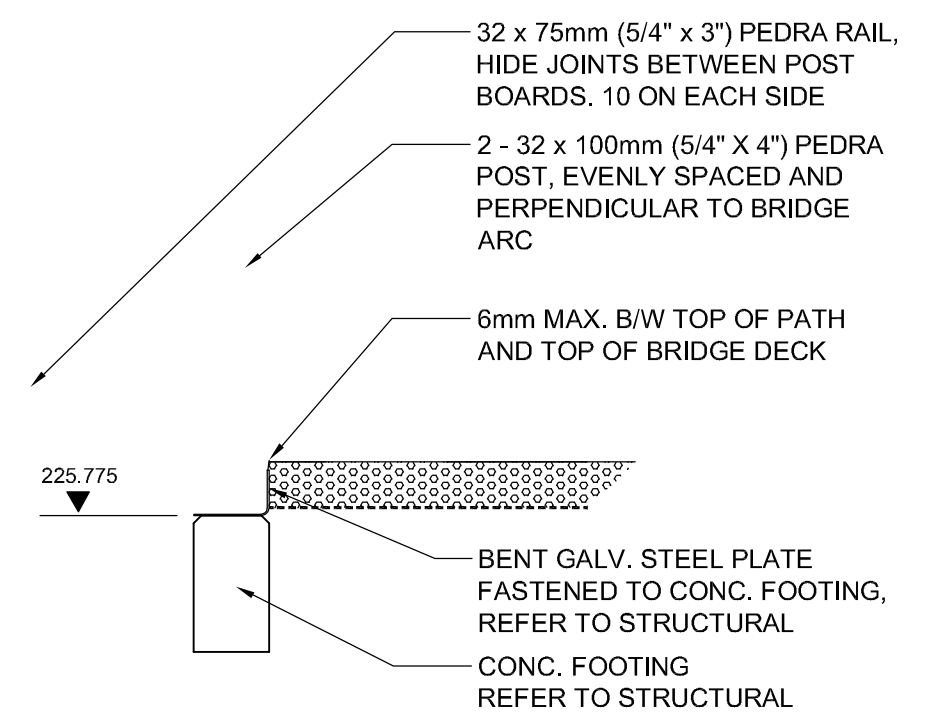
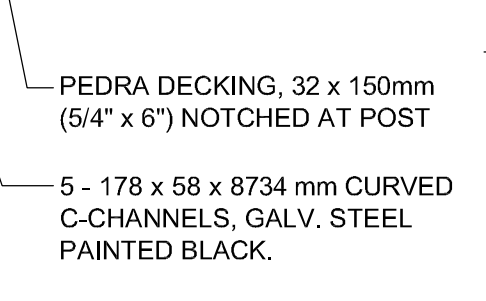
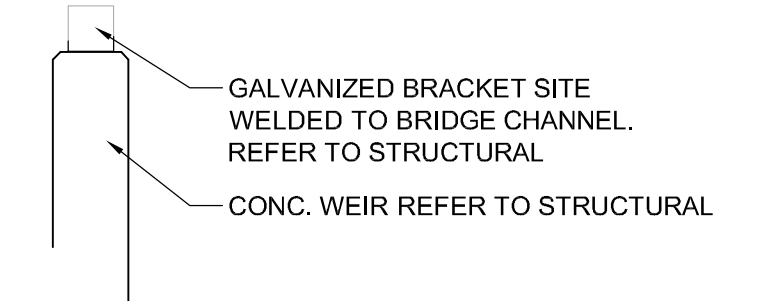
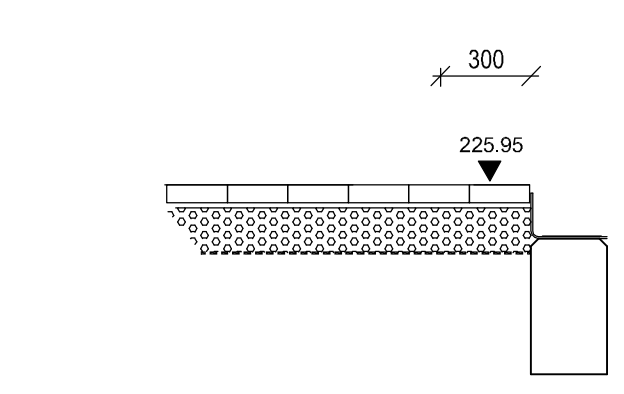
C FRAMING PLAN
SCALE - 1 : 25

CURVED PEDRA TOP RAIL, TO BE DOUBLE LAYERED, EACH LAYER TO BE 2 - 32 x 150mm (5/4" x 6") x VARIABLE LENGTH (10" MIN.), OFFSET SEAMS IN TOP AND BOTTOM LAYERS. SECURE BOTTOM BOARD TO POST WITH S.S. SCREWS. GLUE TOP BOARD TO BOTTOM AND SECURE WITH S.S. SCREWS FROM THE BOTTOM. ROUND EDGES.

32 x 32mm (5/4" x 5/4") CURVED PEDRA NAILERS, JOINTS TO BE HIDDEN BETWEEN POST BOARDS. SECURE NAILERS TO BOTTOM OF RAIL WITH GLUE AND SS SCREWS.

CURVED GALV. PIPE HANDRAIL PAINTED BLACK. ATTACH TO POSTS WITH BRACKETS. PIPE TO BE 30mm Ø x 9319mm

6 PICKETS PER SECTION (TYPICAL FOR ALL SECTIONS). PICKETS TO BE GALV., PAINTED BLACK - 3 x 19 x 695mm (1/8" x 3/4" x 27.36"). FASTEN PICKETS TO TOP NAILER AND BOTTOM RAIL WITH SS SCREWS. EVENLY SPACE AT TOP AND BOTTOM AND ENSURE EQUAL OPENINGS AT A MAX. WIDTH OF 100mm (4").



D ELEVATION
SCALE - 1 : 25

- BRIDGE NOTES:**
1. ALL WOOD COMPONENTS TO BE STAINED RED AS PER SPECIFICATION.
 2. ALL VISIBLE GALVANIZED STEEL COMPONENTS TO BE PAINTED BLACK AS PER SPECIFICATION.
 3. CONTRACTOR TO SUBMIT SHOP DRAWING AS PER SPECIFICATION.

REV	YY / MM / DD	DESCRIPTION	BY
RD	2014 / 07 / 21	ISSUED FOR TENDER	DKM

A. SECTION LETTER OR DETAIL NUMBER, B. DRAWING WHERE SECTION OR DETAIL IS DRAWN, OR A. DRAWING WHERE SECTION OR DETAIL IS INDICATED, --- SECTION OR DETAIL SHOWN ON SAME DRAWING.

SEAL

SCATLIFF + MILLER + MURRAY Inc.
 TEL 204 927-3444 1120 - 201 PORTAGE AVENUE
 FAX 204 927-3443 WINNIPEG, MB, CANADA

CLIENT
CITY OF WINNIPEG

PROJECT
**PEGUIS PAVILION
POND REDEVELOPMENT
& LANDSCAPE RENOVATIONS**

TITLE
PED. BRIDGE DETAILS

DESIGN	DRAWN	DATE - Y / M / D	SCALE
AH / AJ	AH / WF	2014-07-21	AS SHOWN
CHECKED	APPROVED	JOB NO.	DRAWING NO.
DKM	DKM	594-2013	L07