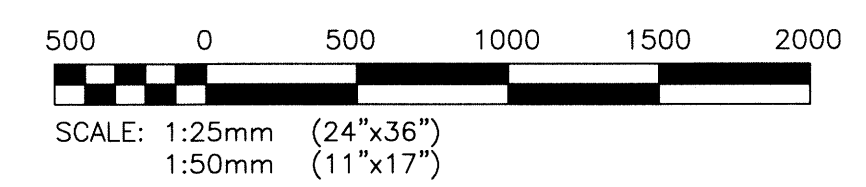
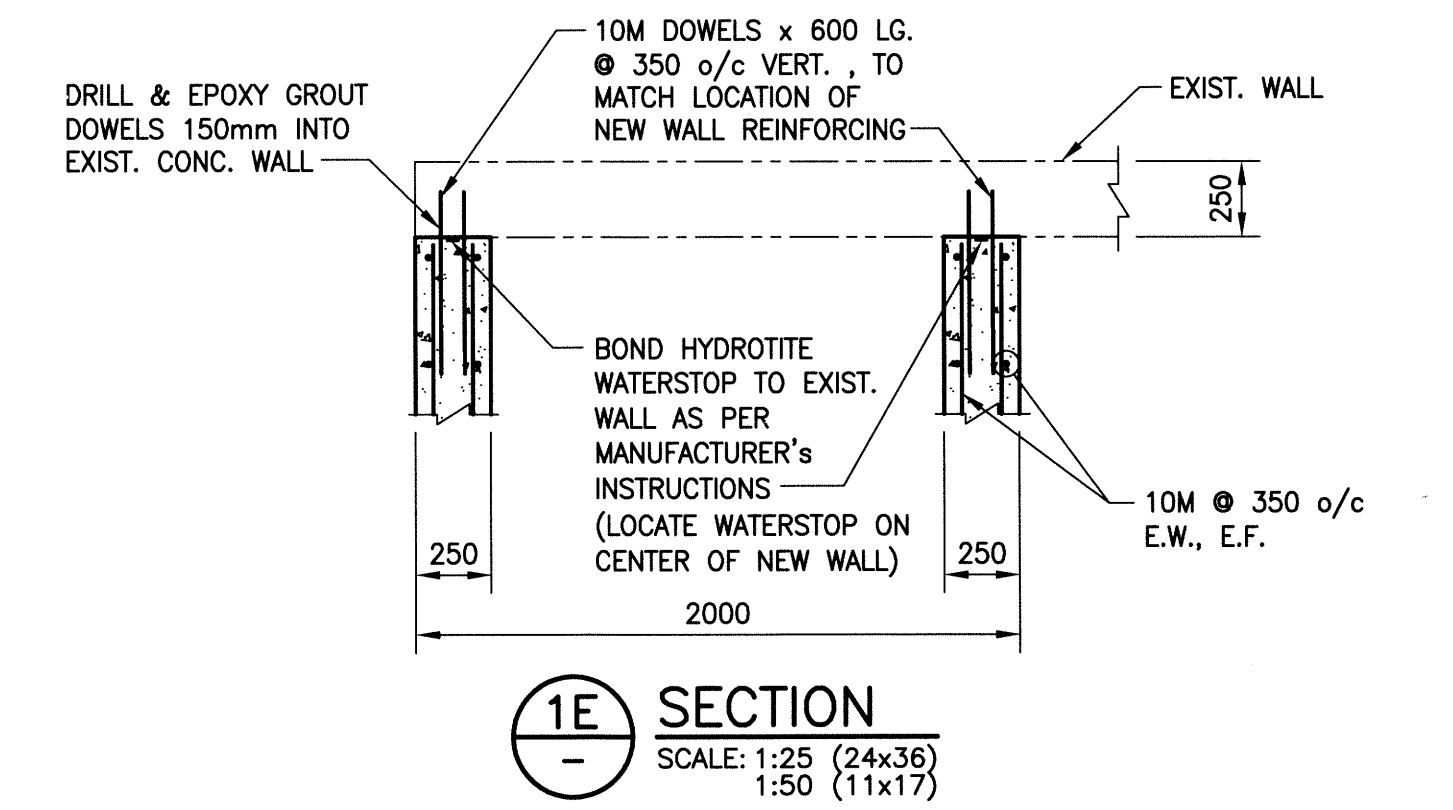
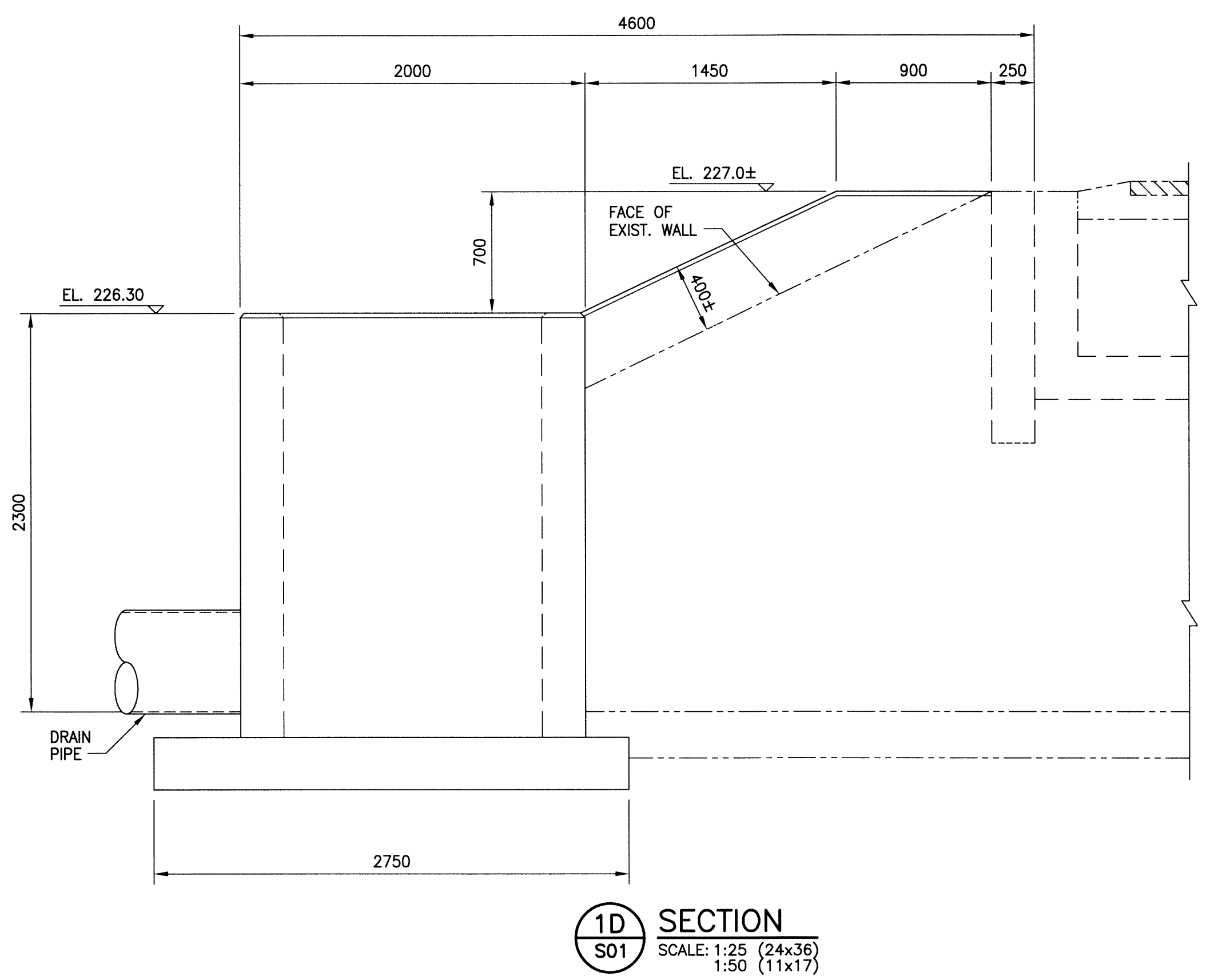
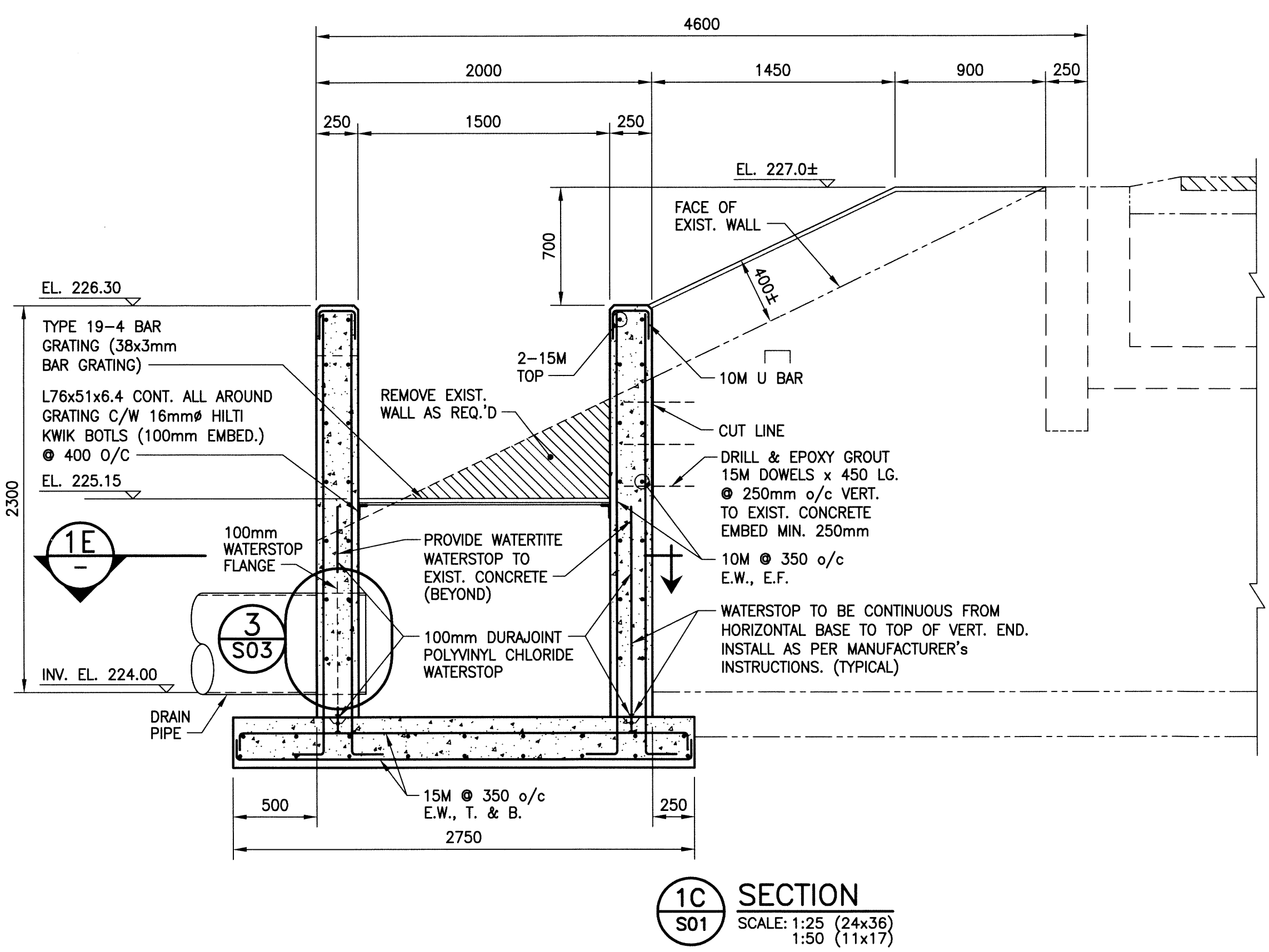
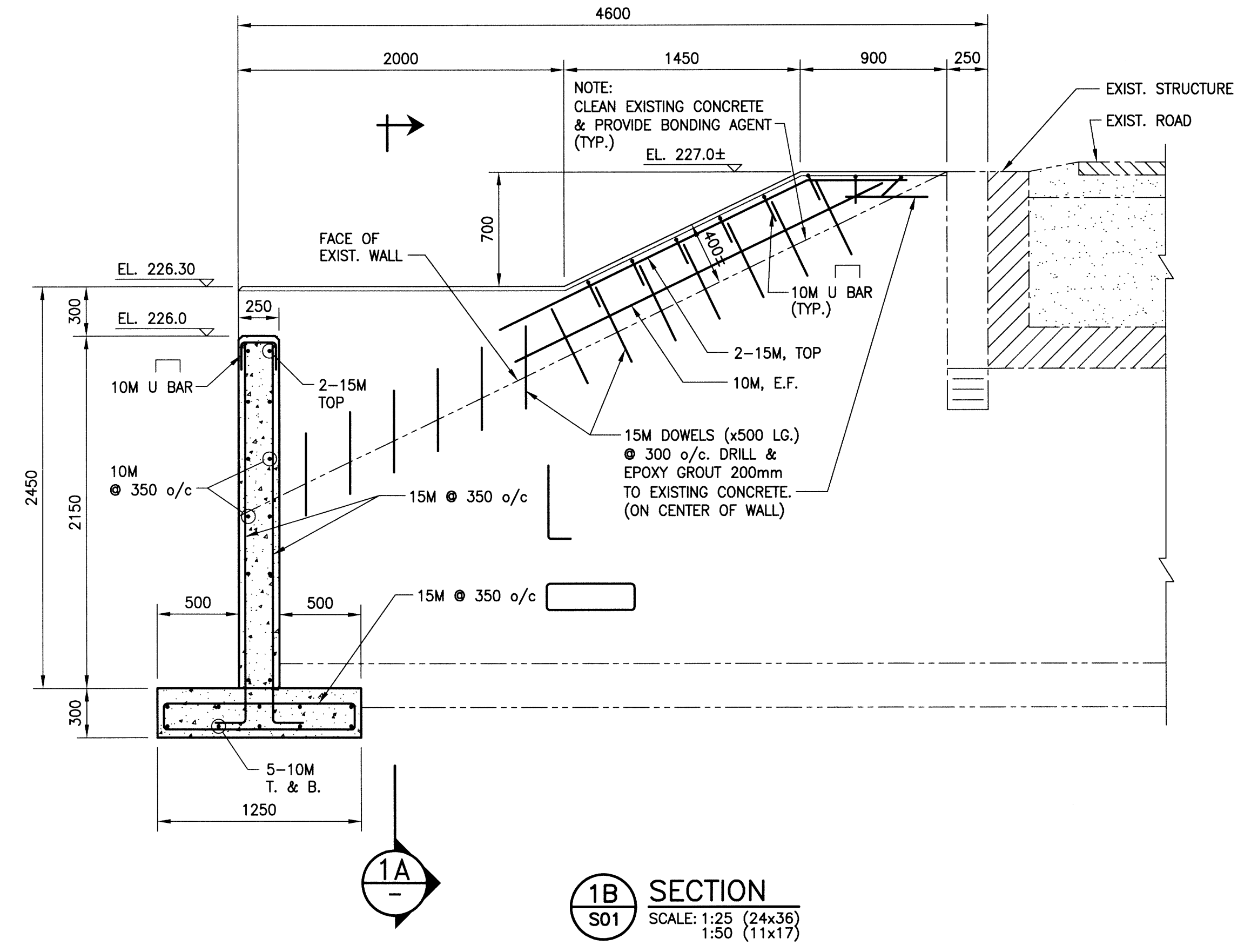
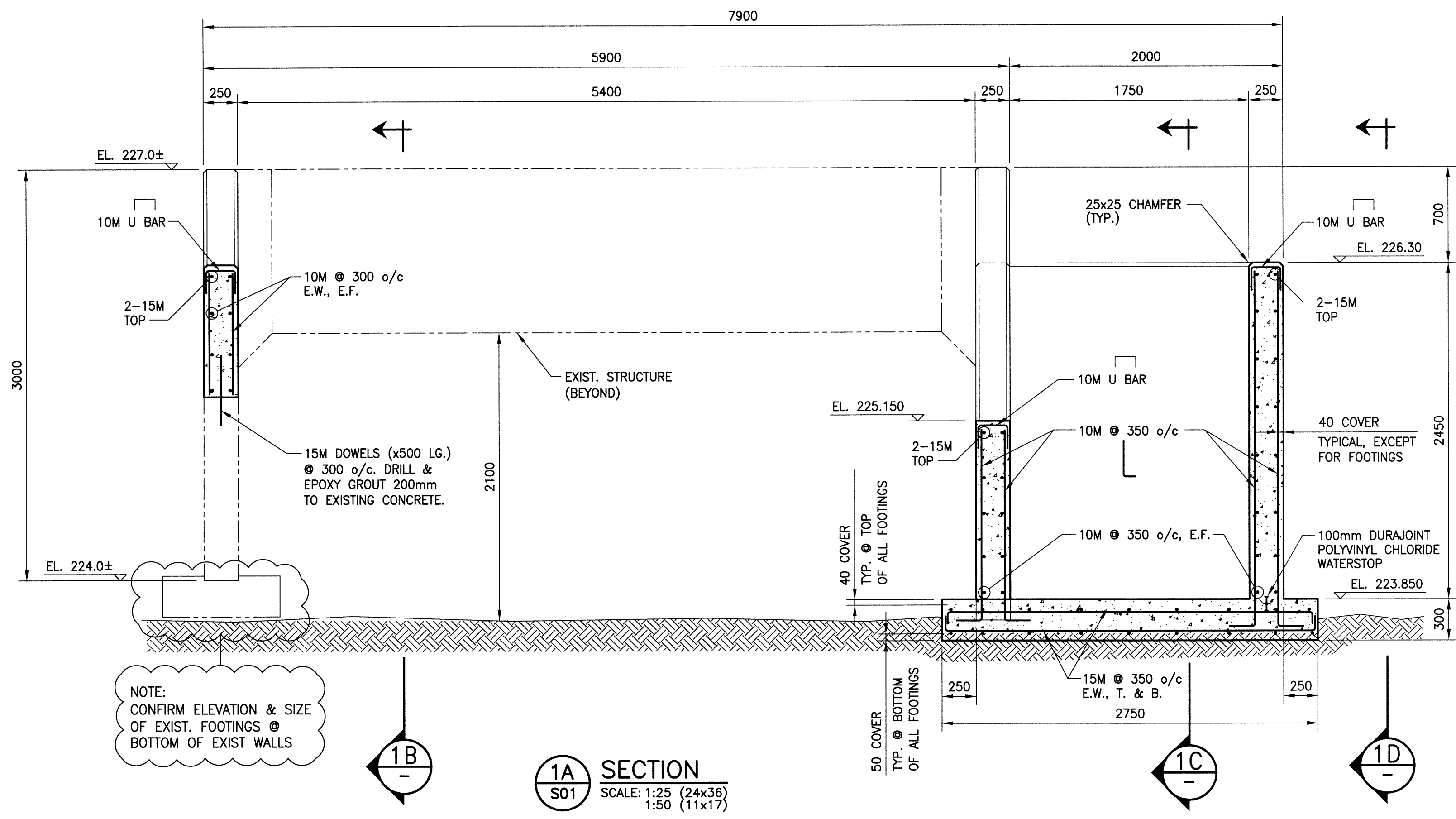


File Name: P:\Projects\2013\13-0109-001\Doc.Control\Tobiasued\DWG\13-0109-001\_S02-Rev. 0.dwg - Tab: S02 Plotted By: Dderoche 14/04/14 [Mon 3:48pm]  
 24x36 PLOT SCALE: 1:50



0 14/04/14 ISSUED FOR TENDER		
NO.	YY/MM/DD	DESCRIPTION
REVISIONS / ISSUE		

CLIENT: **SCATLIFF+MILLER+MURRAY INC.**  
 PROJECT: **CITY OF WINNIPEG PEGUIS PAVILION - DUCK POND WEST KILDONAN PARK**

DWG. DESCRIPTION: **STRUCTURAL REHABILITATION & NEW CONSTRUCTION SECTIONS**

DESIGN BY: R.J.L.	DATE (YY/MM/DD): 13/11/14
DESIGN CHECK: J.M.W.	DATE: 14/04/14
DRAWN BY: J.F.	DATE: 13/11/14
DWG. CHECK: [Signature]	DATE: 14/04/14

DWG. NO.: 13-0109-001 S02 REV: 0

