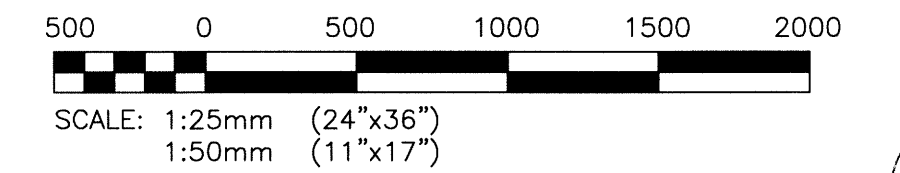
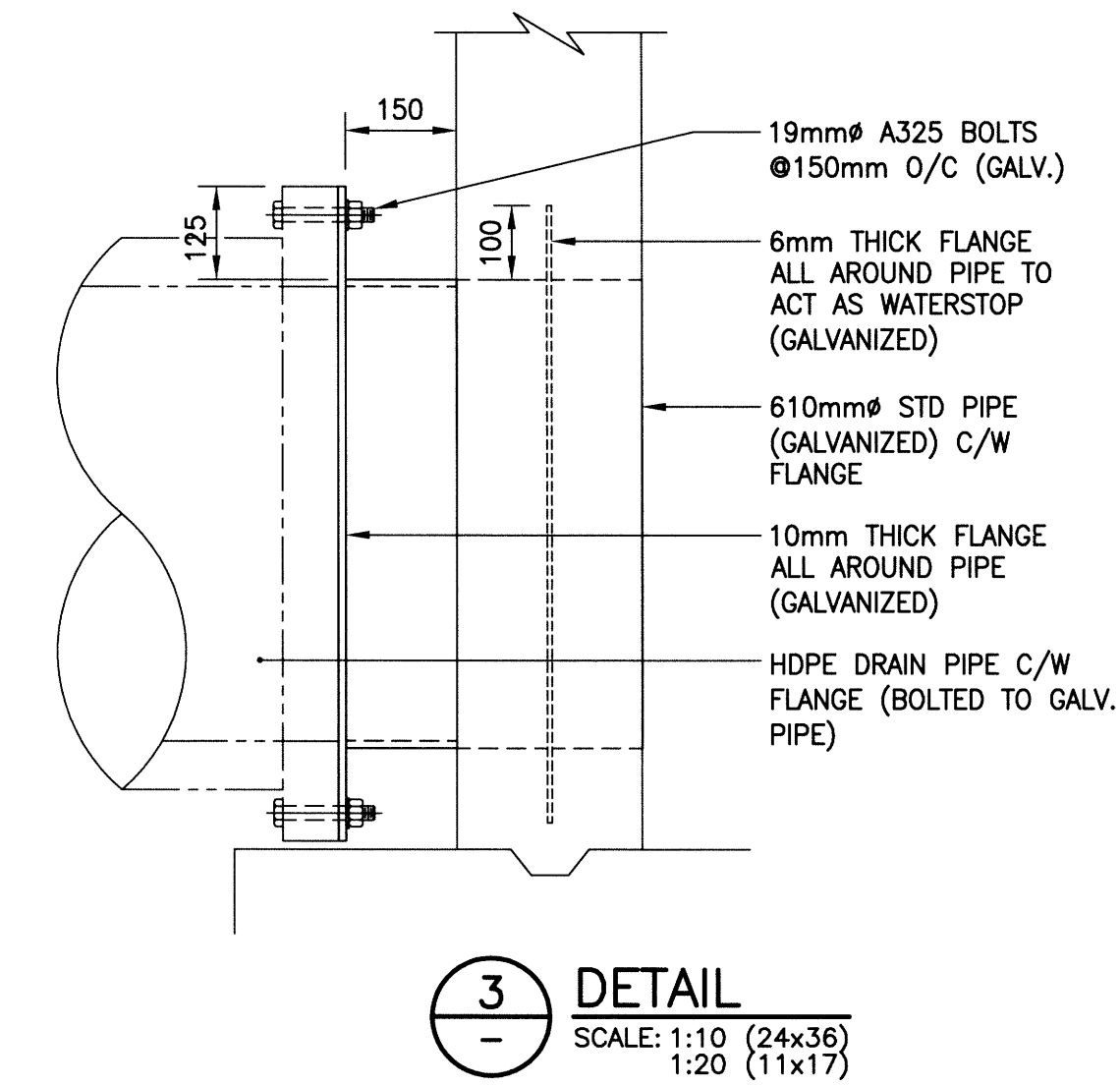
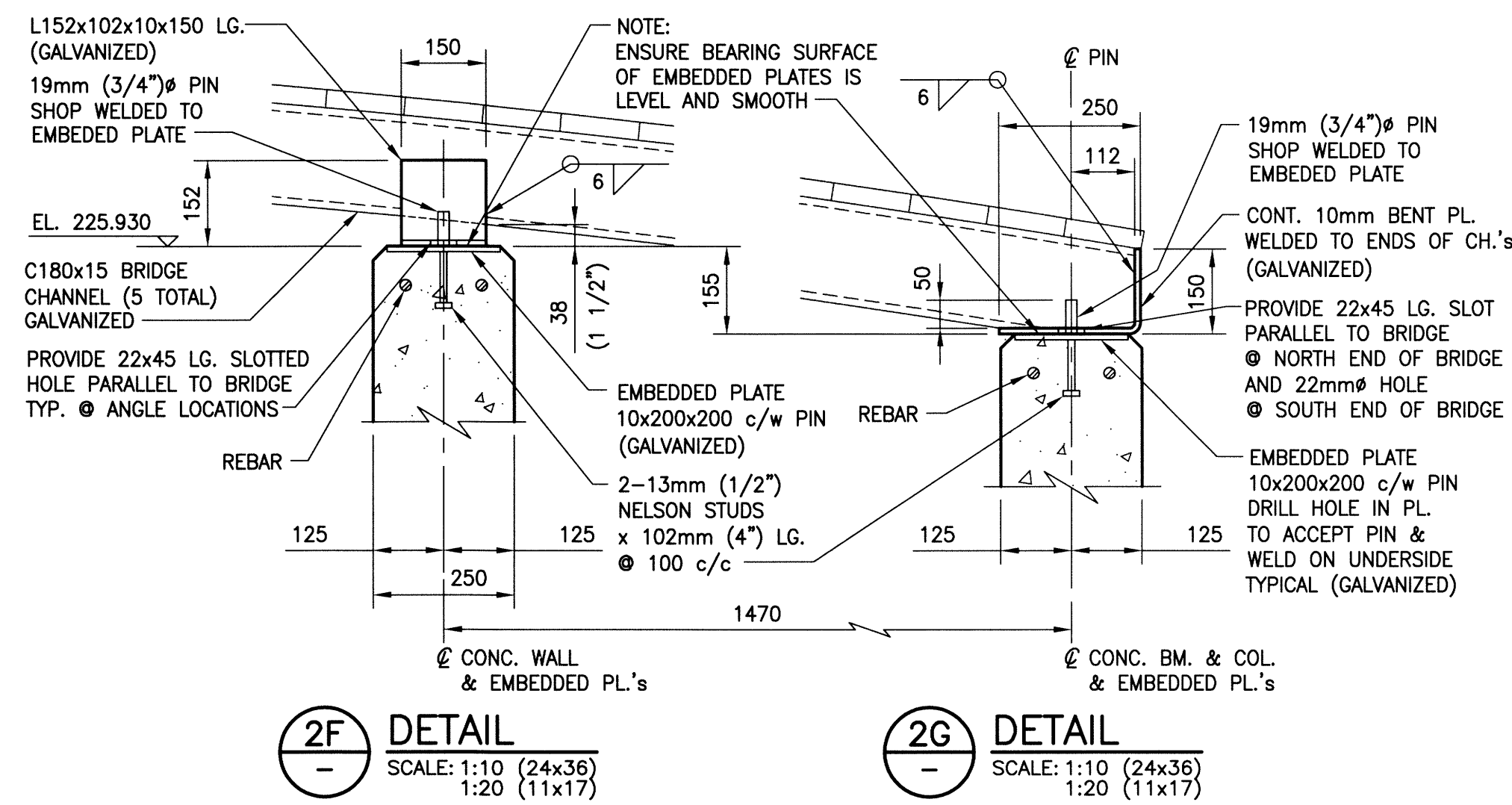
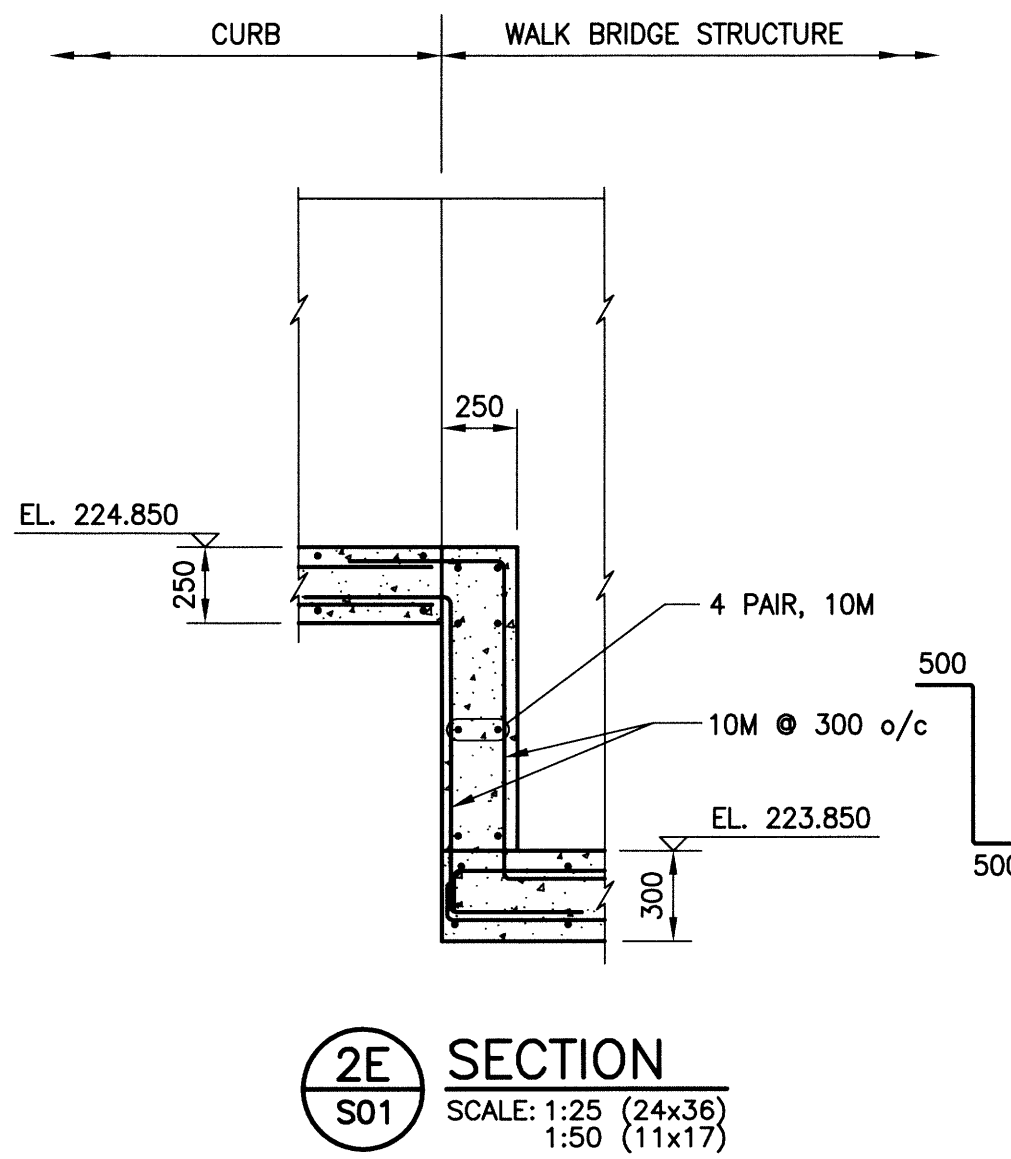
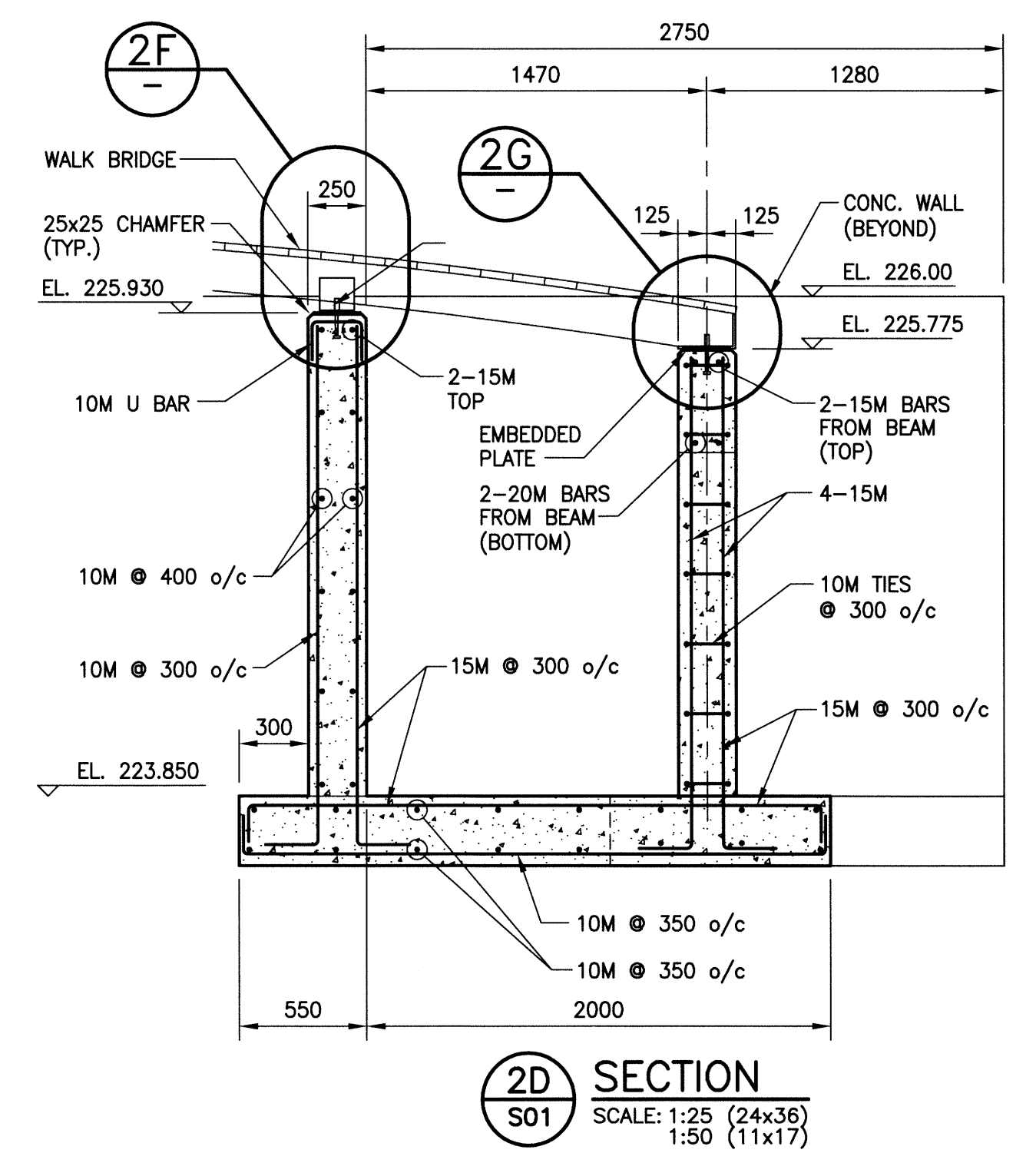
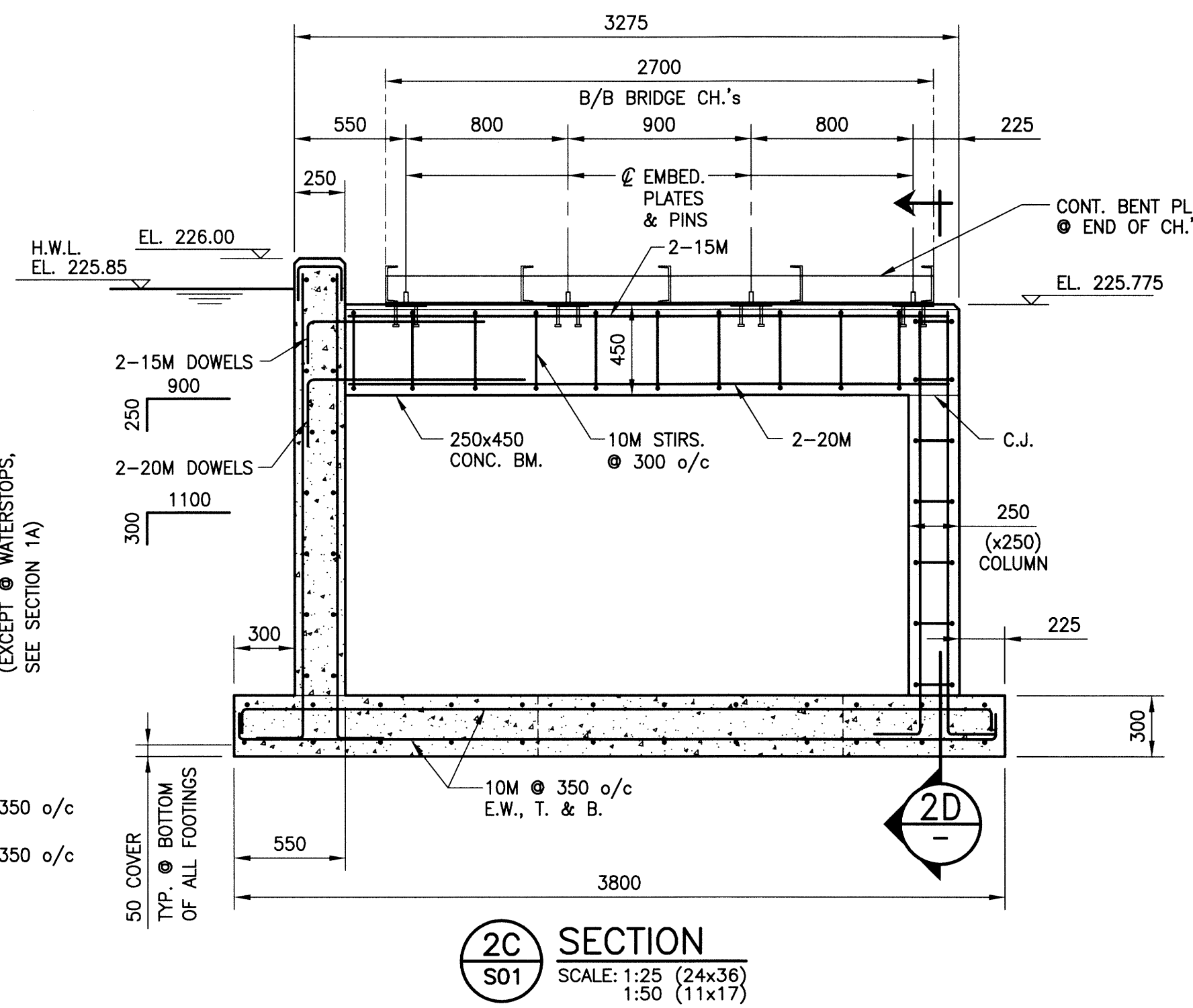
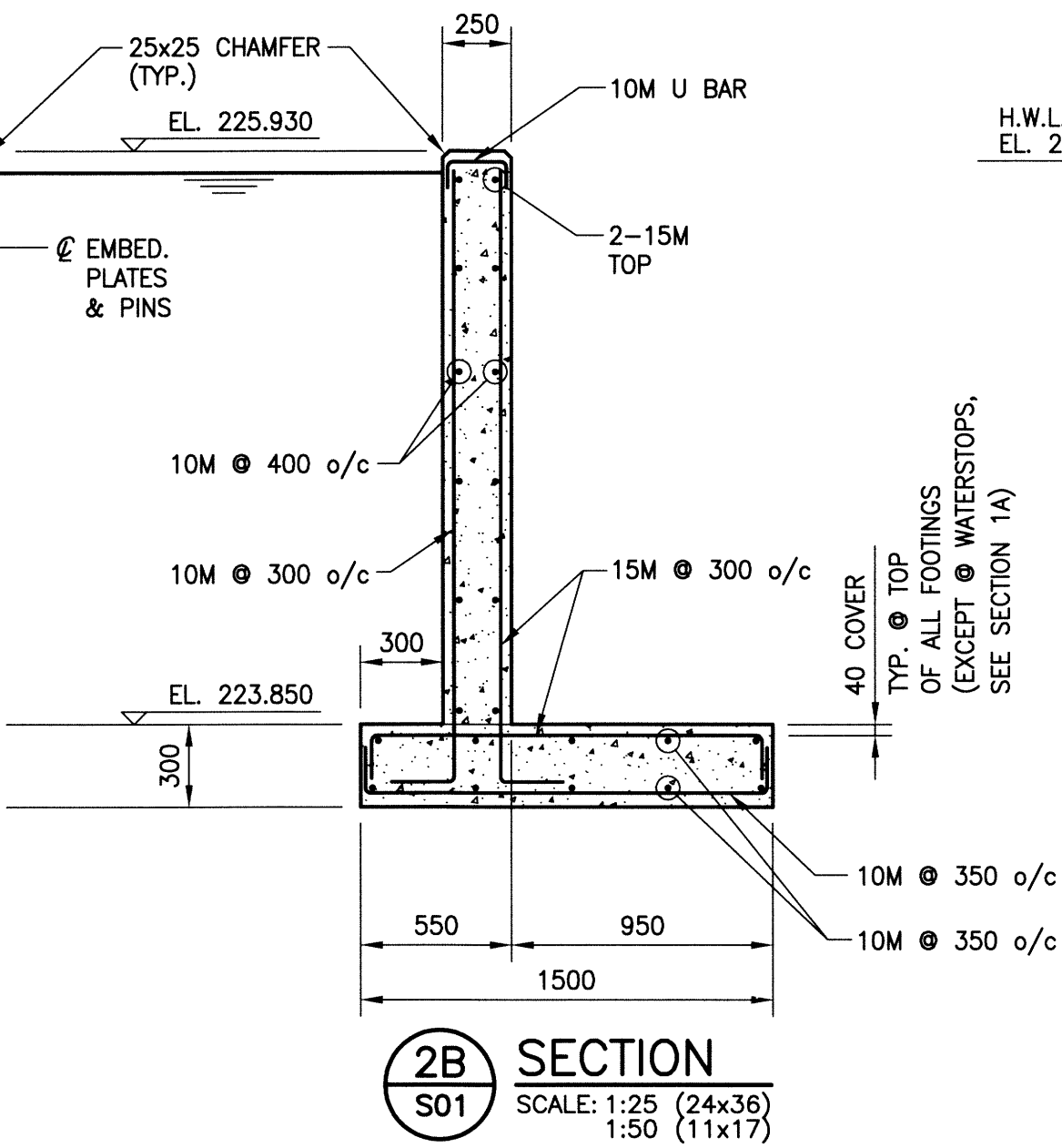
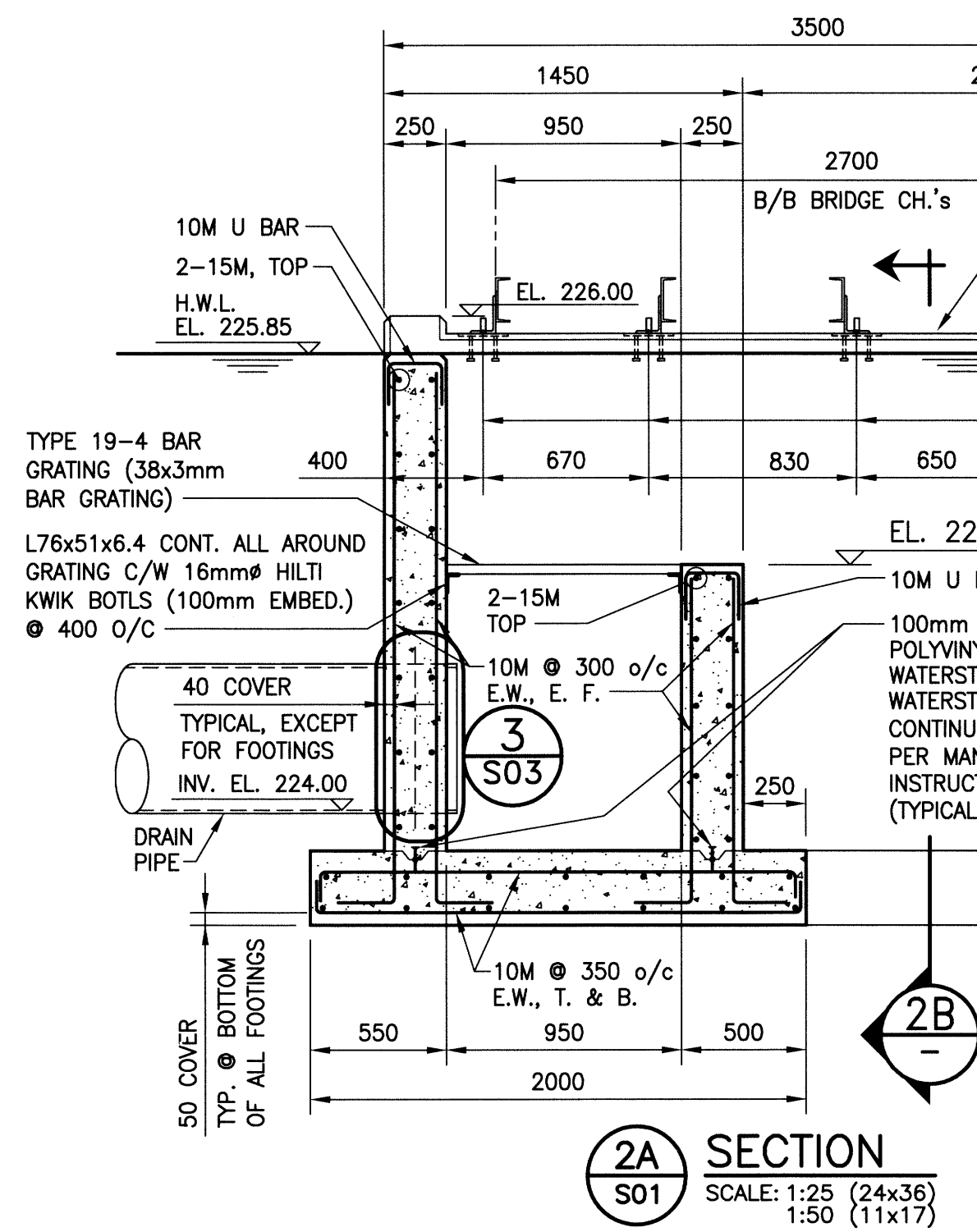


File Name: P:\Projects\2013\13-0109-001\Doc.Control\ToBeIssued\DWG\13-0109-001_S03-Rev 0.dwg - Tab: S03 Plotted By: Dderoché 14/04/14 [Mon 3:58pm]
 24x36 PLOT SCALE: 1:50



0	14/04/14	ISSUED FOR TENDER	
NO.	YY/MM/DD	REVISIONS / ISSUE	DESCRIPTION
CLIENT:			
SCATLIF+MILLER+MURRAY Inc.			
PROJECT:			
CITY OF WINNIPEG PEGUIS PAVILION - DUCK POND WEST KILDONAN PARK			
DWG. DESCRIPTION:			
STRUCTURAL REHABILITATION & NEW CONSTRUCTION DETAILS			
DESIGN BY:	RJL	DATE (YY/MM/DD):	14/03/10
DESIGN CHECK:	JMW	DATE:	14/04/14
DRAWN BY:	JF	DATE:	14/03/10
DWG. CHECK:		DATE:	
DWG. NO. 13-0109-001 S03			

