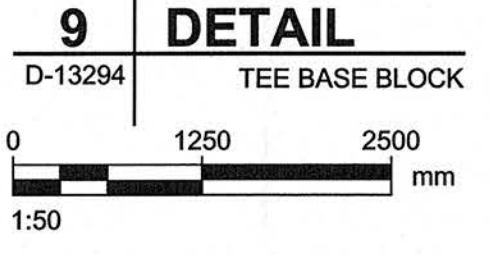
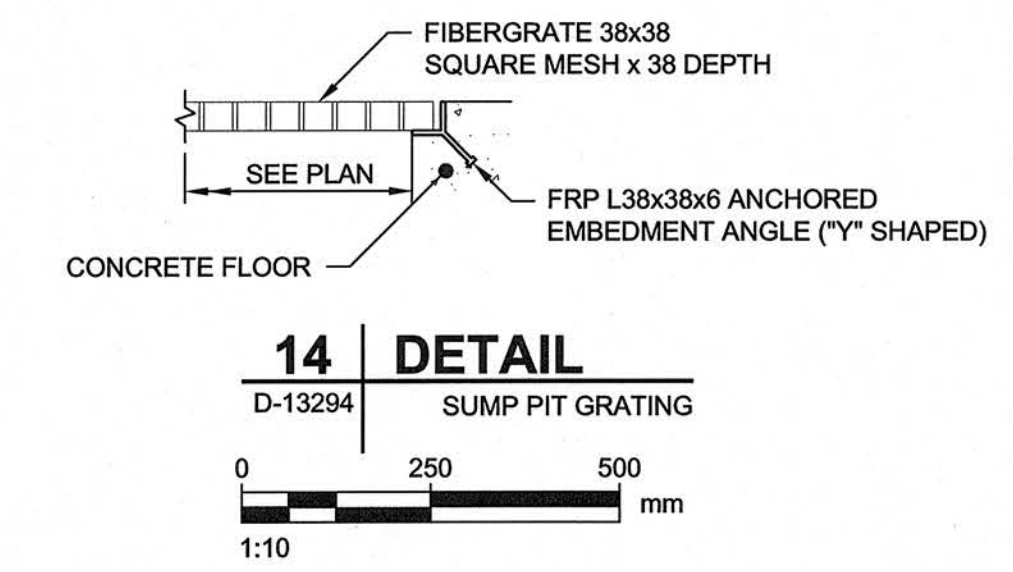
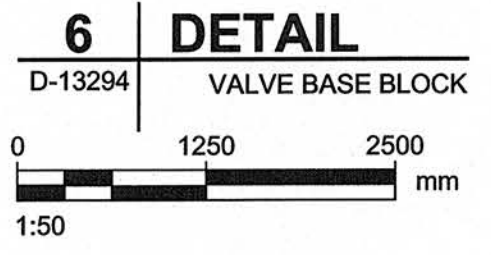
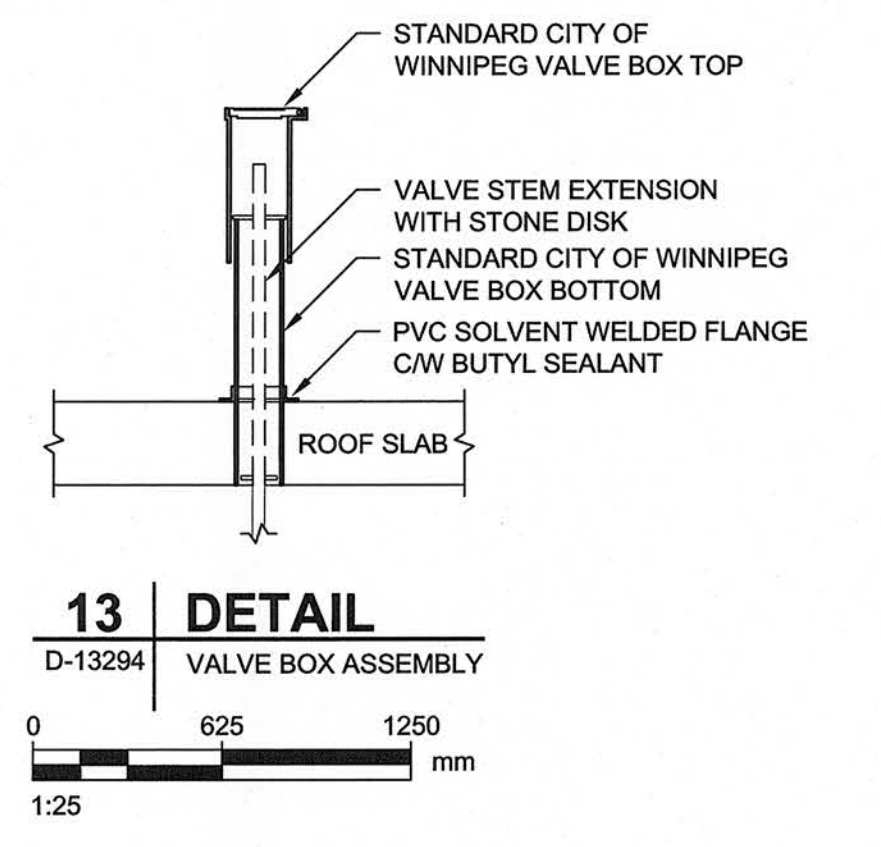
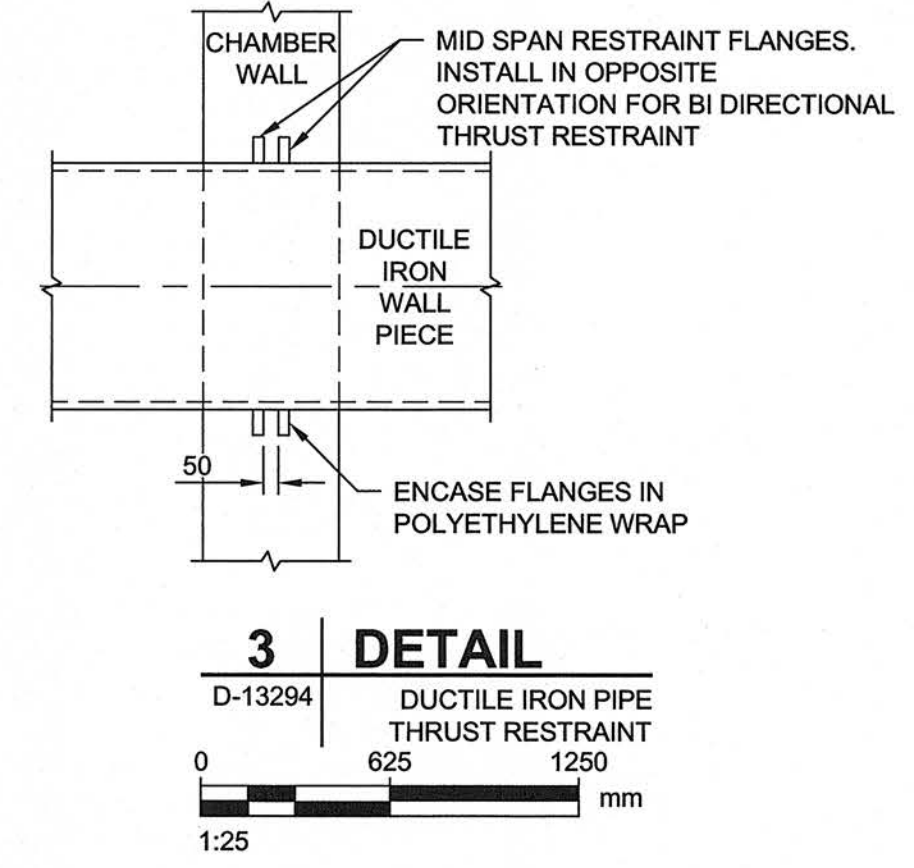
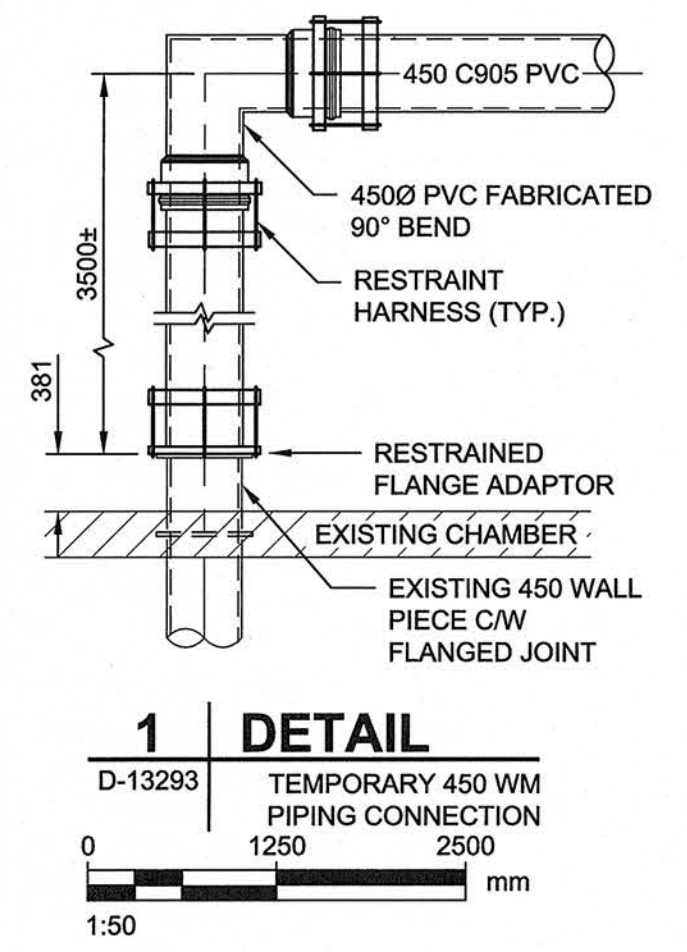
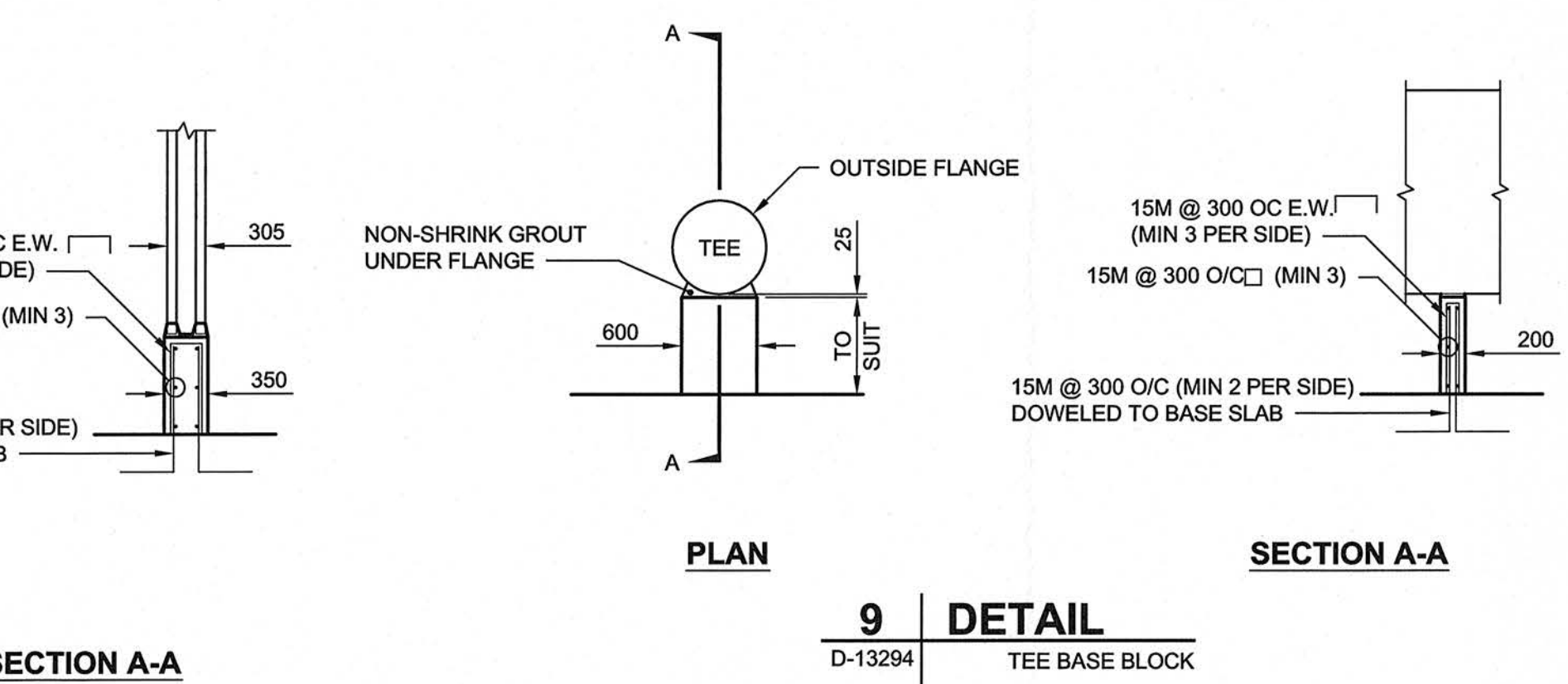
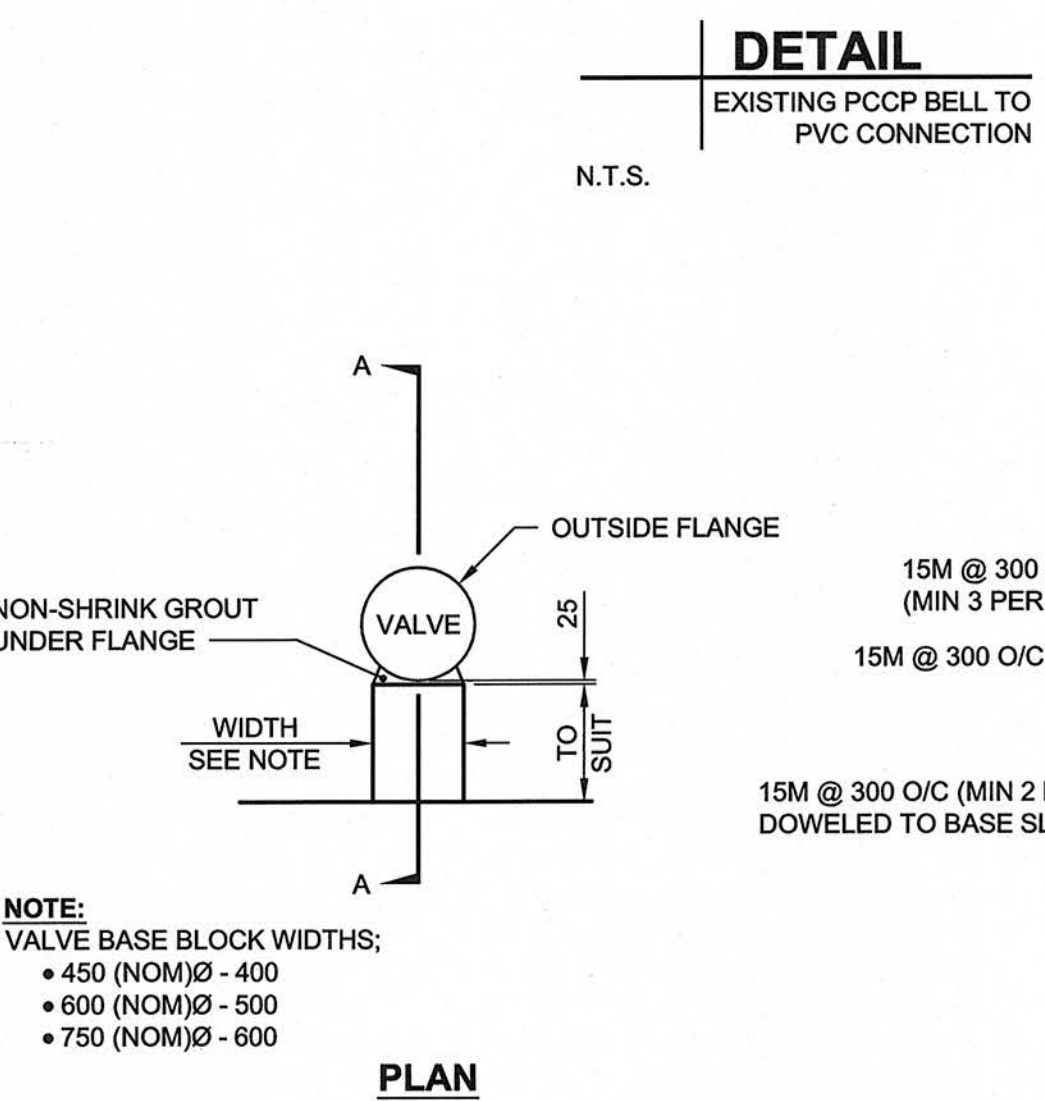
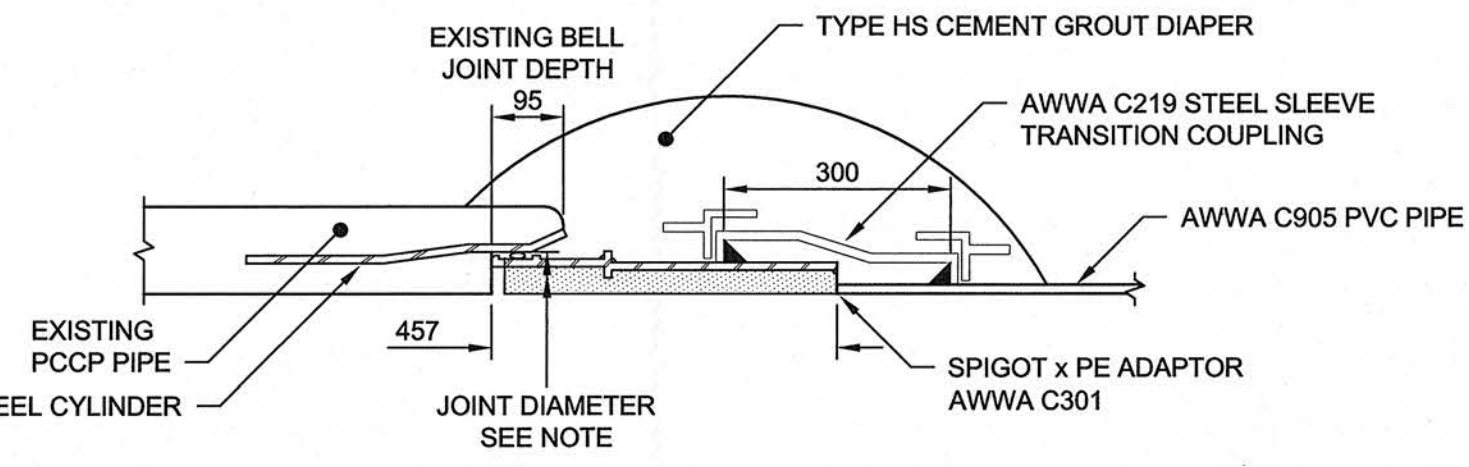
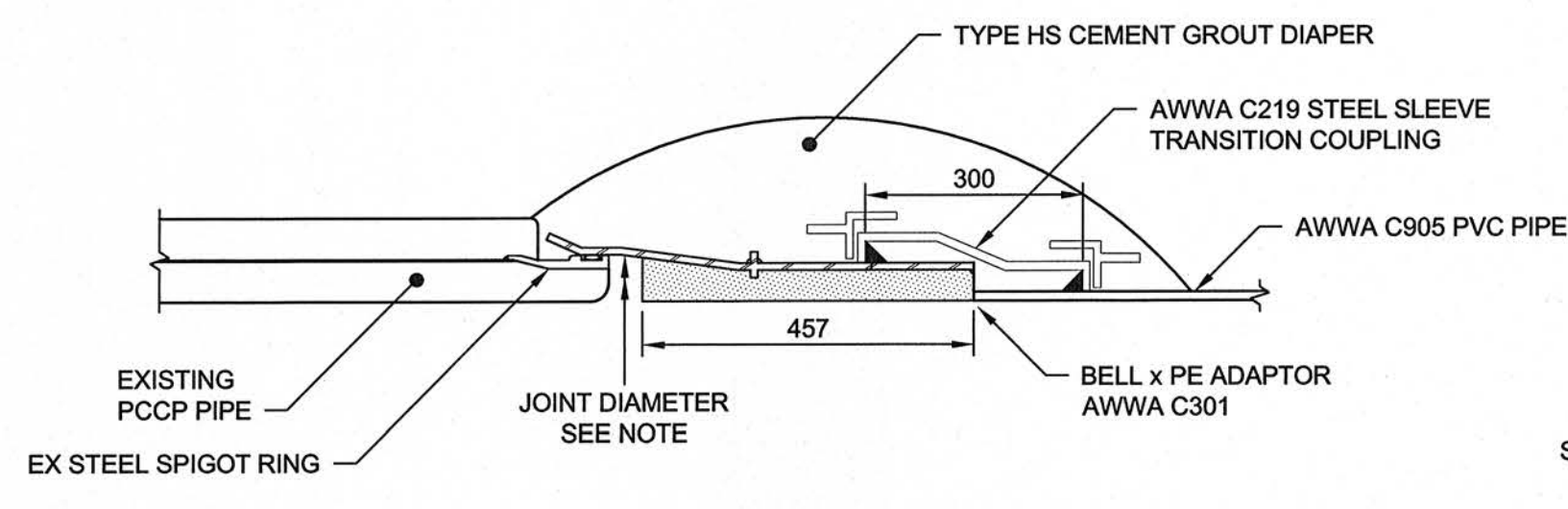
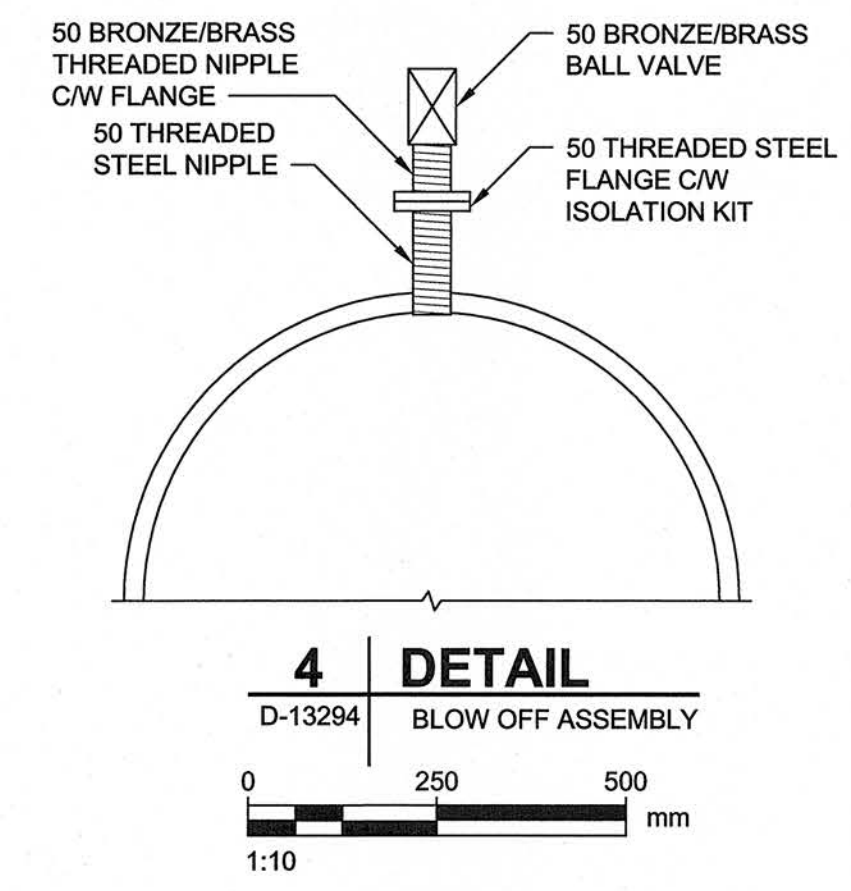
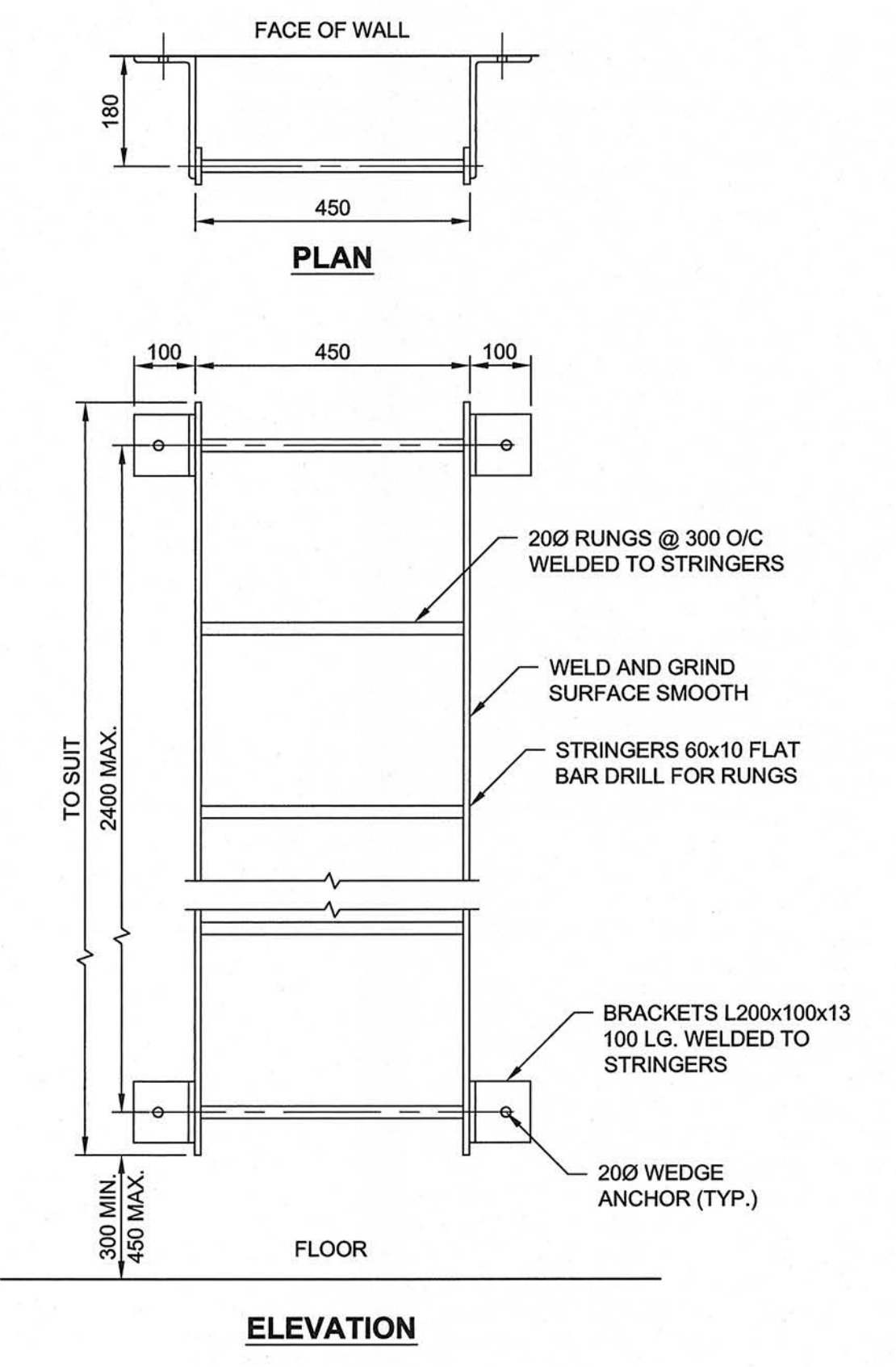
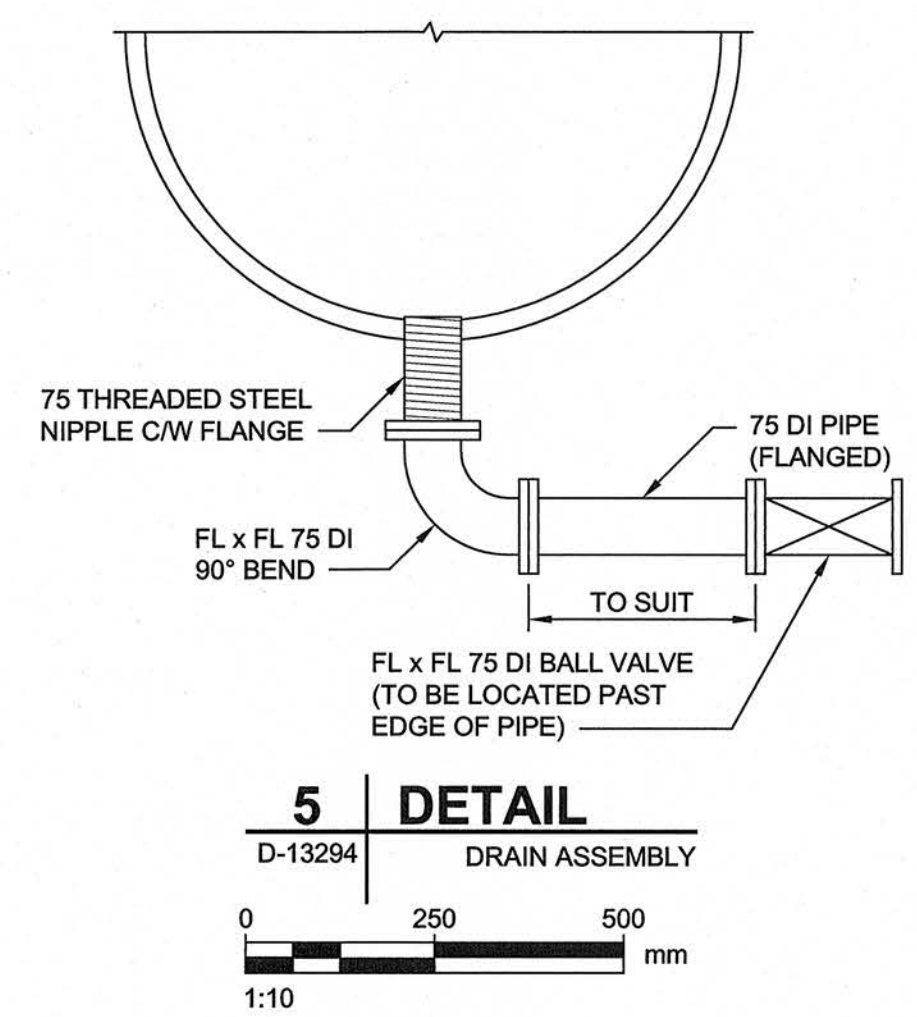
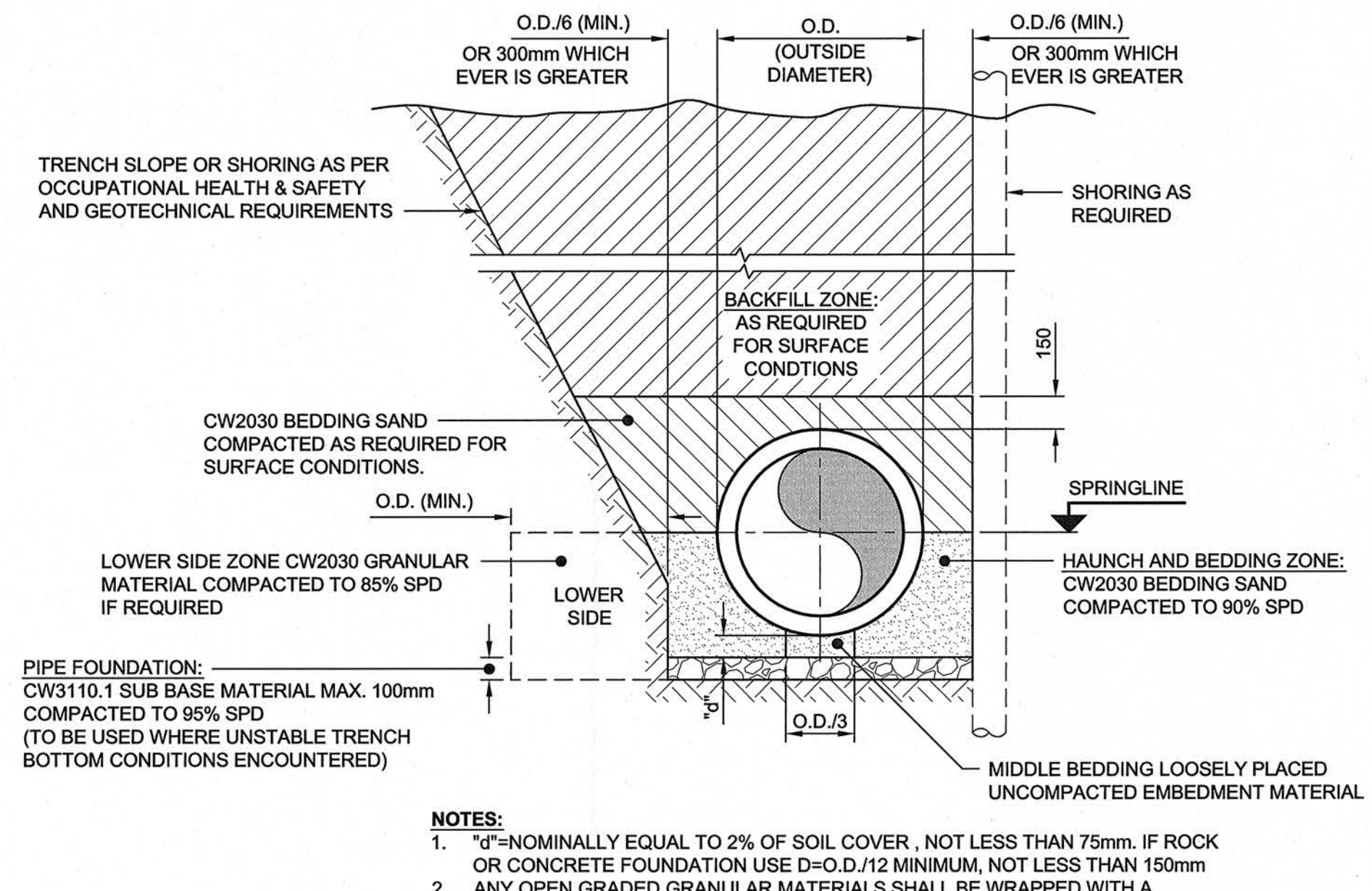
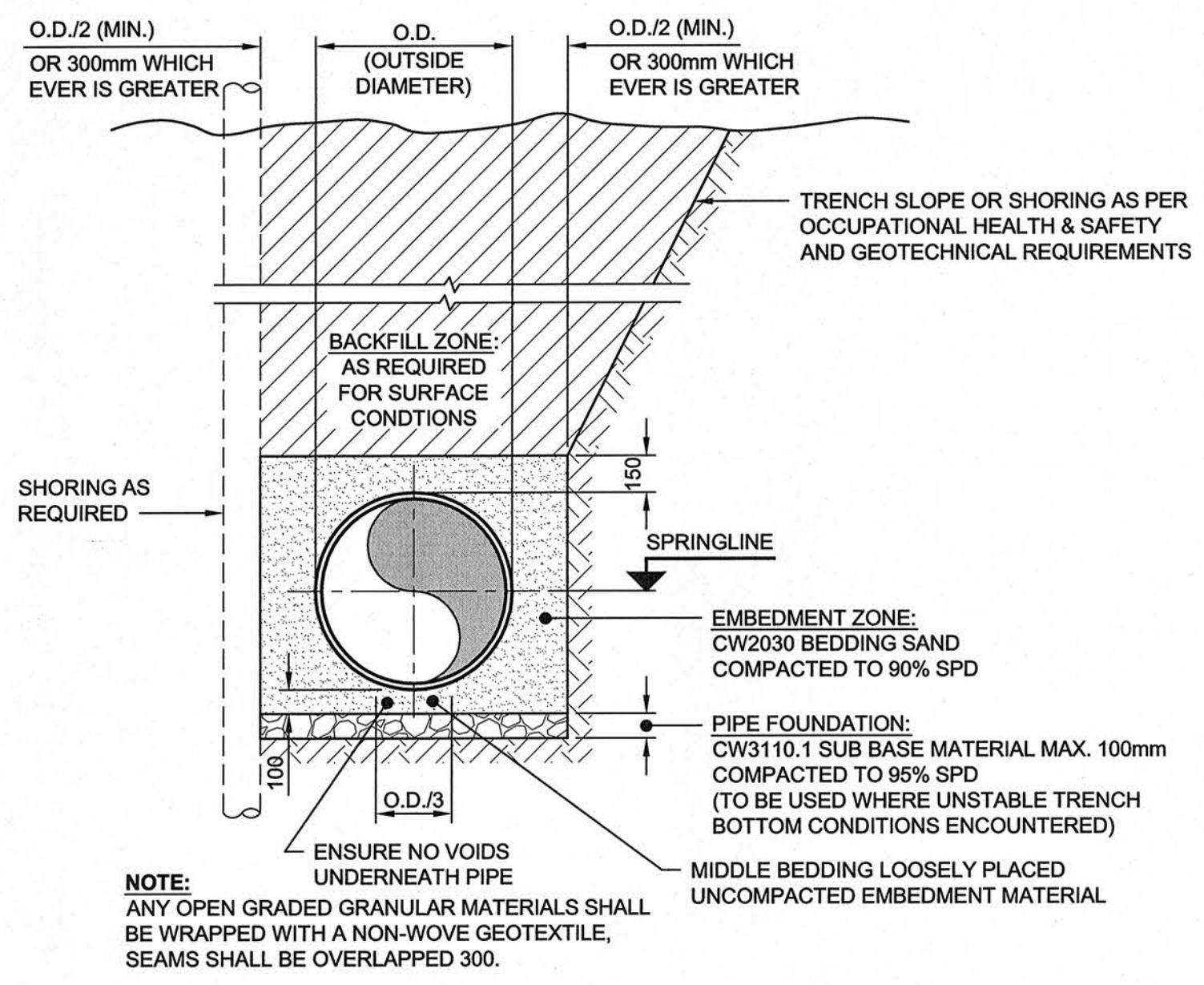


D SIZE 22" x 34" (559mm x 864mm)

PLOT: 7/29/2013 9:37:49 AM

AECOM FILE NAME: 60297251-SHT-00-0000-C-4002.dwg Saved By: dencandrew



**AECOM**  
Certificate of Authorization  
AECOM Canada Ltd.  
No. 4671 Date: July 2013

**METRIC**  
WHOLE NUMBERS INDICATE MILLIMETRES  
DECIMALIZED NUMBERS INDICATE METRES

LOCATION APPROVED UNDERGROUND STRUCTURES			
SUPR. U/G STRUCTURES	DATE	COMMITTEE	
NOTE: LOCATION OF UNDERGROUND STRUCTURES AS SHOWN ARE BASED ON THE BEST INFORMATION AVAILABLE. BUT NO GUARANTEE IS GIVEN THAT ALL EXISTING UTILITIES ARE SHOWN OR THAT THE GIVEN LOCATIONS ARE EXACT. CONFIRMATION OF EXISTENCE AND EXACT LOCATION OF ALL SERVICES MUST BE OBTAINED FROM THE INDIVIDUAL UTILITIES BEFORE PROCEEDING WITH CONSTRUCTION.			
0	ISSUED FOR CONSTRUCTION	13/07/26	ADL
NO.	REVISIONS	YYMMDD	BY

DESIGNED BY	ADB	CHECKED BY	cen
DRAWN BY	ADL	APPROVED BY	[Signature]
HOR. SCALE	AS NOTED	RELEASED FOR CONSTRUCTION	[Signature]
VERT. SCALE	N/A	DATE	July 2013

PROFESSIONAL'S SEAL  
PROVINCE OF MANITOBA  
A.D. BRAUN  
Member  
24453  
REGISTERED PROFESSIONAL ENGINEER  
CONSULTANT DRAWING NO.  
60297251-SHT-00-0000-C-4002

**THE CITY OF WINNIPEG WATER AND WASTE DEPARTMENT**

**REPLACEMENT OF FEEDERMAIN VALVE CHAMBER, PIPING & ASSOCIATED WORKS AT ELDRIDGE AVENUE & HANEY STREET**

CIVIL VALVE CHAMBER PIPING DETAILS

SHEET 04 OF 05  
CITY DRAWING NUMBER  
REV 0  
**D-13295**

BID OPPORTUNITY NO. 645-2013