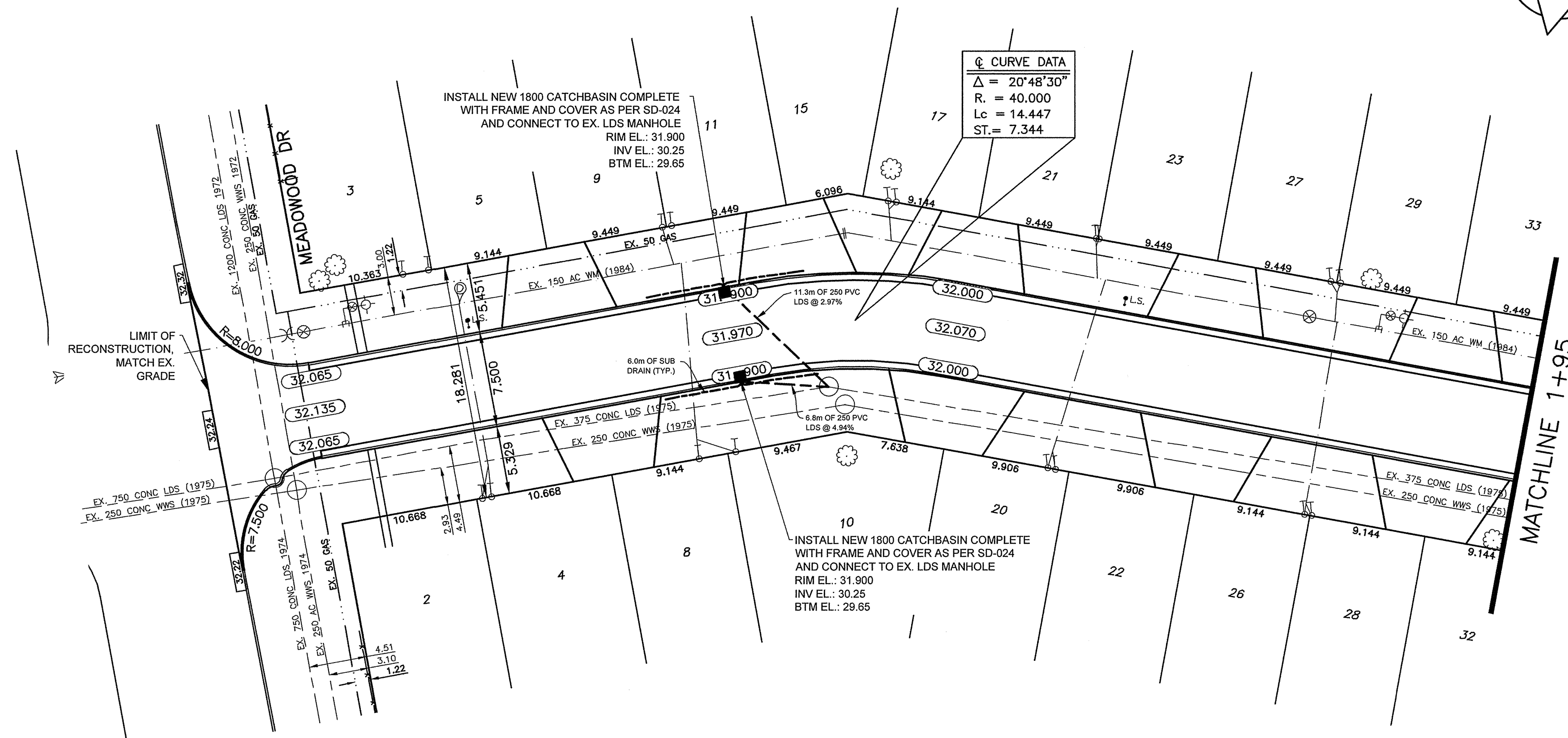
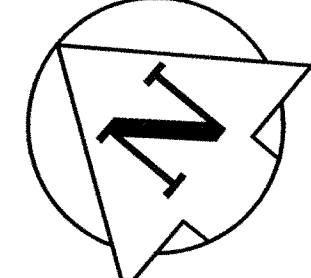
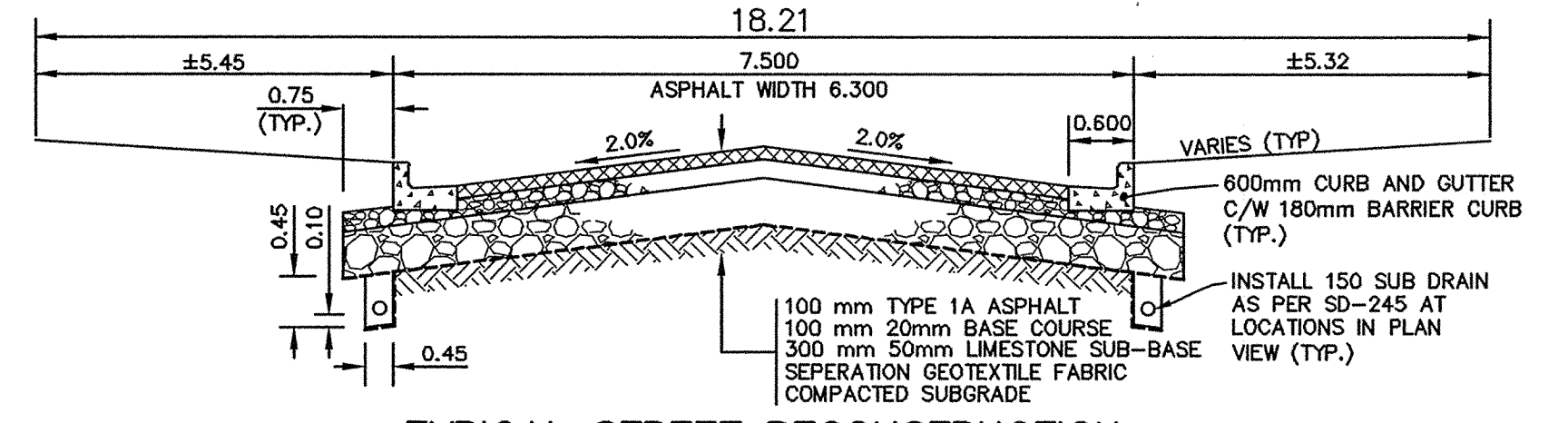


**CHAINAGE ALONG CENTER OF ROW**  
**BRENTFORD ROAD**

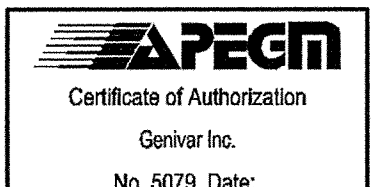


**NOTES:**

1. REMOVE EX. CONCRETE PAVEMENT AND CONSTRUCT NEW ASPHALTIC PAVEMENT TYPE 1A (100mm)
2. MODIFIED BARRIER CURB TO BE USED FOR CURB RENEWAL AT RADII AS DIRECTED BY CONTRACT ADMINISTRATOR
3. PRIVATE WALKS TO REGRADED/RENEWED AS DIRECTED BY CONTRACT ADMINISTRATOR
4. CONSTRUCT NEW CURB AND GUTTER (180mm HT)
5. DRIVEWAY RENEWALS TO BE DIRECTED BY CONTRACT ADMINISTRATOR
6. ABANDONMENT OF EXISTING CURB INLETS TO BE DIRECTED BY CONTRACT ADMINISTRATOR
7. EX. MANHOLES, CATCHBASIN, GATE VALVES AND OTHER APPURTENANCES TO BE ADJUSTED AS DIRECTED BY CONTRACT ADMINISTRATOR
8. INSTALLATION OF NEW CATCHPITS, CATCHBASINS AND SUBDRAINS TO BE DIRECTED BY CONTRACT ADMINISTRATOR
9. CONTRACTOR TO COMPLETE LIGHTING (INCLUDING BASES, WIRING AND LAMP STANDARDS) AND COORDINATE WITH MANITOBA HYDRO. REFER TO MANITOBA HYDRO DRAWING No.:704-2013\_Drawing\_1-04707-DD-50000-0174-02-RO FOR LOCATION OF NEW STREET LIGHTS.



**METRIC**  
WHOLE NUMBERS INDICATE MILLIMETRES  
DECIMALIZED NUMBERS INDICATE METRES



"Description of property limits, and existing and/or proposed features relative to these limits as shown on this drawing do not represent a Legal Survey. GENIVAR makes no representation or guarantee that the property limit information is accurate. GENIVAR accepts no responsibility for damages, if any, suffered by any third party as a result of decisions made or actions based on this drawing."

	WATERMAIN HYDRANT		M.T.S. TRAFFIC SIGNAL		WATERMAIN VALVE
	CURB STOP		CONCRETE/ASPHALT SIDEWALK		LAND DRAINAGE SEWER
	WASTE WATER SEWER		CURB RAMP		WASTE WATER SEWER CENTERLINE
	LAND DRAINAGE SEWER C.B. LEAD		PROPERTY LINE		SOUTH & EAST GUTTER
	MANHOLE		ELEVATIONS		NORTH & WEST GUTTER
	CATCH BASIN		TEST HOLE LOCATION		WEST GROUND
	GAS				EAST GROUND
	HYDRO				
	EXISTING		PROPOSED		EXISTING
	LEGEND - PLAN		LEGEND - PLAN		LEGEND - PROFILE
	LEGEND - PLAN		LEGEND - PLAN		LEGEND - PROFILE

**LOCATION APPROVED UNDERGROUND STRUCTURES**  
SUPV. U/G STRUCTURES DATE COMMITTEE  
NOTE:  
LOCATION OF UNDERGROUND STRUCTURES AS SHOWN ARE BASED ON THE BEST INFORMATION AVAILABLE BUT NO GUARANTEE IS GIVEN THAT ALL EXISTING UTILITIES ARE SHOWN OR THAT THE GIVEN LOCATIONS ARE EXACT. CONFIRMATION OF EXISTENCE AND EXACT LOCATION OF ALL SERVICES MUST BE OBTAINED FROM THE INDIVIDUAL UTILITIES BEFORE PROCEEDING WITH CONSTRUCTION.

B.M. 62-026 ELEV. 231.840			
1	ISSUED FOR TENDER	20/08/13	R.H.
NO.	REVISIONS	DATE	BY

**GENIVAR**  
10 PRAIRIE WAY WINNIPEG, MANITOBA, R2J 3J8  
PH: (204)-477-8650 FAX: (204)-474-2854

DESIGNED BY: R.H.	CHECKED BY: S.M.
DRAWN BY: R.H.	APPROVED BY: I.McK.
HOR. SCALE: 1:250	RELEASED FOR CONSTRUCTION
VERT. SCALE: 1:10	
DATE: JULY 2013	DATE:

ENGINEERS SEAL

**THE CITY OF WINNIPEG**  
PUBLIC WORKS DEPARTMENT

**2013 CAPITAL PROGRAM LOCAL STREET RENEWALS**

**BRENTFORD ROAD**  
FROM MEADOWOOD DR. TO MATCHLINE AT STA. 1+95  
PAVEMENT RECONSTRUCTION

CITY DRAWING NO. SHEET 1 OF 2 DRAWING NO. 704-2013-03