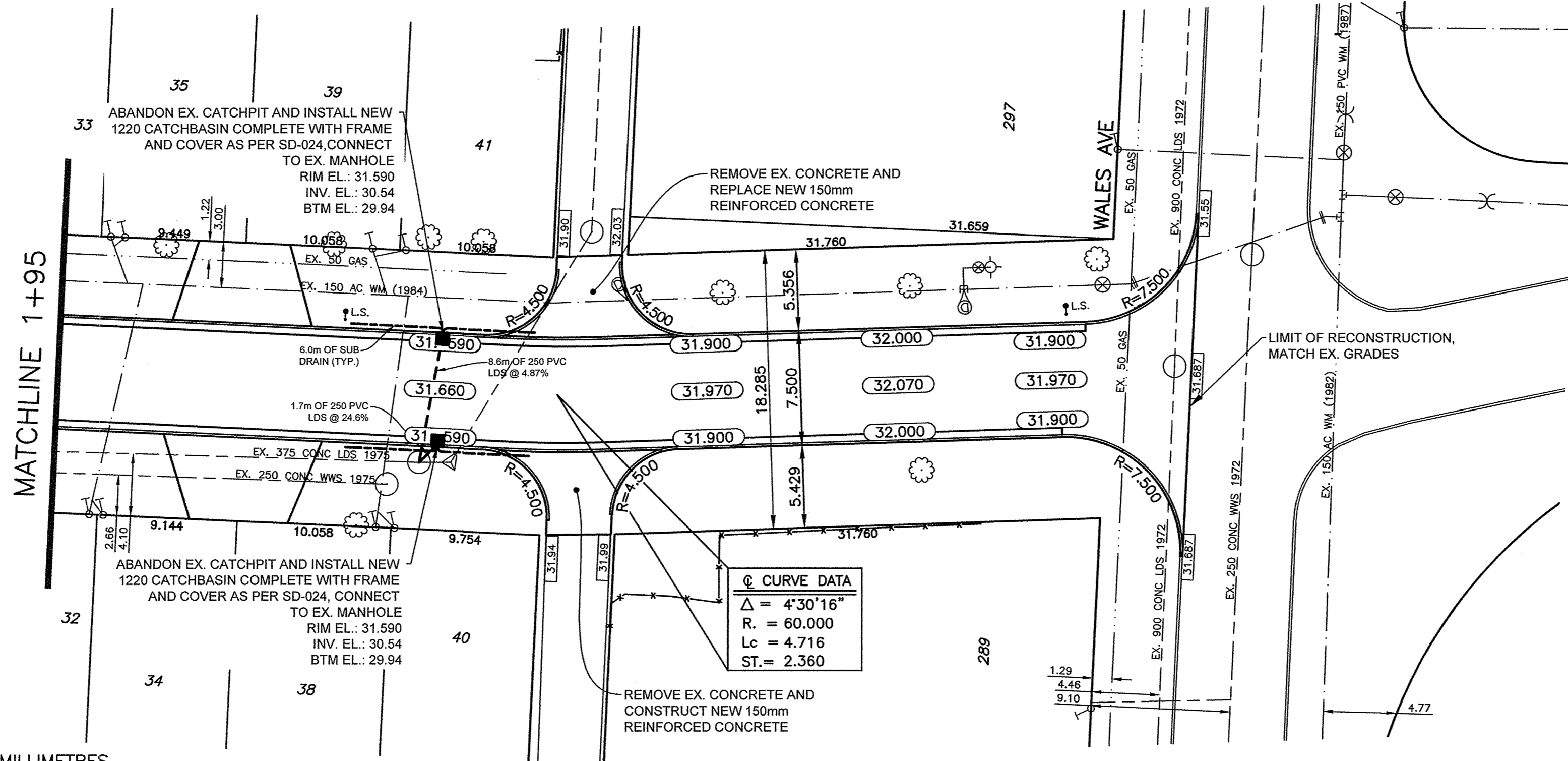
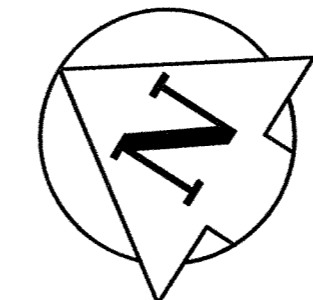
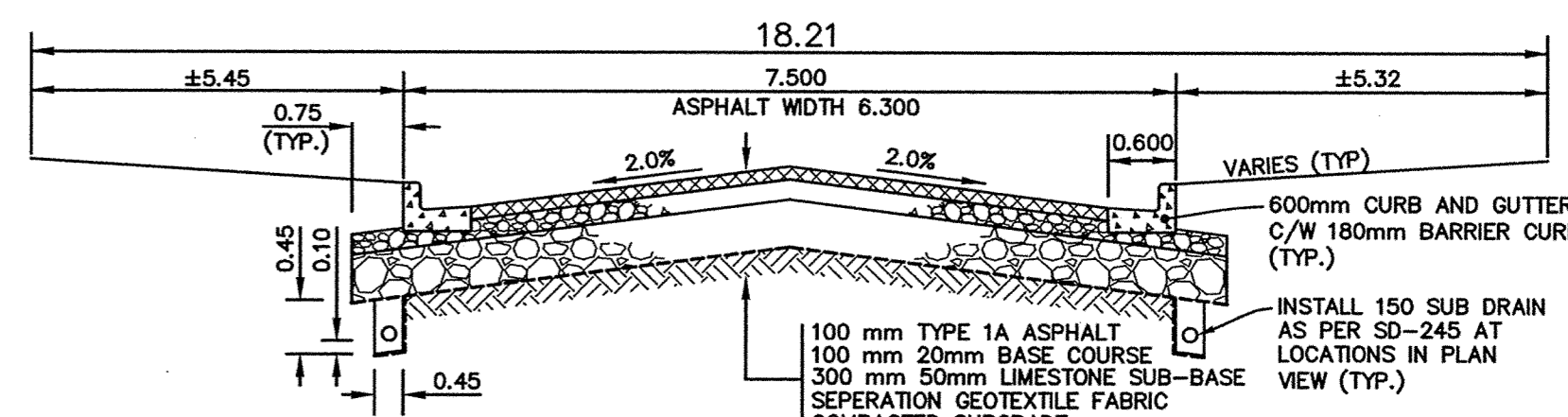


CHAINAGE ALONG CENTER OF ROW  
BRENTFORD ROAD



- NOTES:**
- REMOVE EX. CONCRETE PAVEMENT AND CONSTRUCT NEW ASPHALTIC PAVEMENT TYPE 1A (100mm)
  - MODIFIED BARRIER CURB TO BE USED FOR CURB RENEWAL AT RADII AS DIRECTED BY CONTRACT ADMINISTRATOR
  - PRIVATE WALKS TO REGRADED/RENEWED AS DIRECTED BY CONTRACT ADMINISTRATOR
  - CONSTRUCT NEW CURB AND GUTTER (180mm HT)
  - DRIVEWAY RENEWALS TO BE DIRECTED BY CONTRACT ADMINISTRATOR
  - ABANDONMENT OF EXISTING CURB INLETS TO BE DIRECTED BY CONTRACT ADMINISTRATOR
  - EX. MANHOLES, CATCHBASIN, GATE VALVES AND OTHER APPURTENANCES TO BE ADJUSTED AS DIRECTED BY CONTRACT ADMINISTRATOR
  - INSTALLATION OF NEW CATCHPITS, CATCHBASINS AND SUBDRAINS TO BE DIRECTED BY CONTRACT ADMINISTRATOR
  - CONTRACTOR TO COMPLETE LIGHTING (INCLUDING BASES, WIRING AND LAMP STANDARDS) AND COORDINATE WITH MANITOBA HYDRO. REFER TO MANITOBA HYDRO DRAWING No.:704-2013\_Drawing\_1-04707-DD-50000-0174-02-RO FOR LOCATION OF NEW STREET LIGHTS.



TYPICAL STREET RECONSTRUCTION CROSS SECTION  
N.T.S.

METRIC  
WHOLE NUMBERS INDICATE MILLIMETRES  
DECIMALIZED NUMBERS INDICATE METRES

"Description of property limits, and existing and/or proposed features relative to these limits as shown on this drawing do not represent a Legal Survey. GENVAR makes no representation or guarantee that the property limit information is accurate. GENVAR accepts no responsibility for damages, if any, suffered by any third party as a result of decisions made or actions based on this drawing."

EXISTING	LEGEND - PLAN	PROPOSED	EXISTING	LEGEND - PLAN	PROPOSED	EXISTING	LEGEND - PROFILE	PROPOSED
	WATERMAIN			M.T.S.			WATERMAIN	
	HYDRANT VALVE			TRAFFIC SIGNAL			LAND DRAINAGE SEWER	
	CURB STOP			CONCRETE/ASPHALT SIDEWALK			WASTE WATER SEWER	
	WASTE WATER SEWER			CURB RAMP			CENTERLINE	
	LAND DRAINAGE SEWER			PROPERTY LINE			EAST GUTTER	
	C.B. LEAD			ELEVATIONS			WEST GUTTER	
	MANHOLE			TEST HOLE LOCATION			WEST GROUND	
	CATCH BASIN			GAS			EAST GROUND	
	HYDRO							

LOCATION APPROVED UNDERGROUND STRUCTURES

SUPV. U/G STRUCTURES DATE COMMITTEE

NOTE:  
LOCATION OF UNDERGROUND STRUCTURES AS SHOWN ARE BASED ON THE BEST INFORMATION AVAILABLE BUT NO GUARANTEE IS GIVEN THAT ALL EXISTING UTILITIES ARE SHOWN OR THAT THE GIVEN LOCATIONS ARE EXACT. CONFIRMATION OF EXISTENCE AND EXACT LOCATION OF ALL SERVICES MUST BE OBTAINED FROM THE INDIVIDUAL UTILITIES BEFORE PROCEEDING WITH CONSTRUCTION.

S.M. 62-026  
ELEV. 231.840

1 ISSUED FOR TENDER 20/08/13 R.H.  
NO. REVISIONS DATE BY

**GENVAR**  
10 PRAIRIE WAY WINNIPEG, MANITOBA, R2L 3J8  
PH: (204)-477-8650 FAX: (204)-474-2864

DESIGNED BY R.H. CHECKED BY S.M.  
DRAWN BY R.H. APPROVED BY I.McK.  
HOR. SCALE: 1:250  
VERT. SCALE: 1:10  
RELEASED FOR CONSTRUCTION  
DATE JULY 2013



**THE CITY OF WINNIPEG**  
PUBLIC WORKS DEPARTMENT

2013 CAPITAL WORKS LOCAL STREET RENEWAL  
BRENTFORD ROAD  
FROM MATCHLINE AT STA. 1+95 TO WALES AVE.  
PAVEMENT RECONSTRUCTION

CITY DRAWING NO. SHEET 2 OF 2  
DRAWING NO. 704-2013-04

