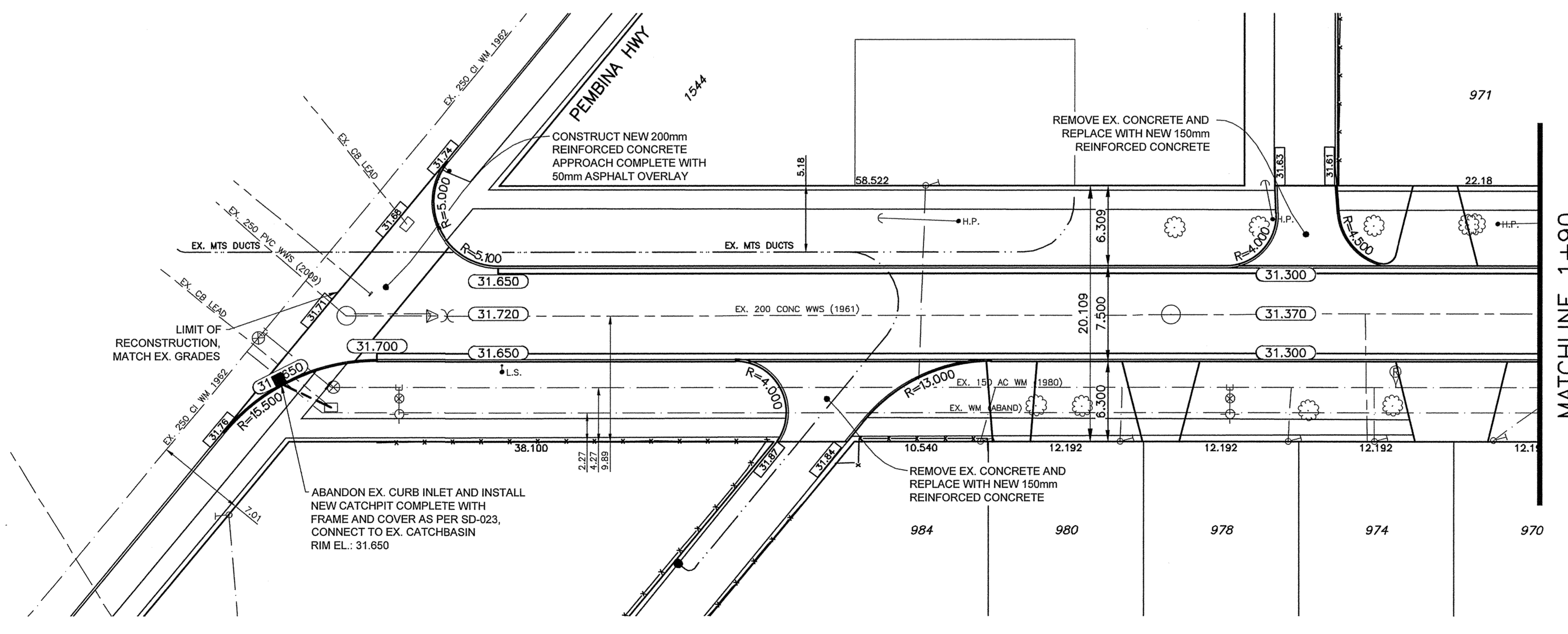
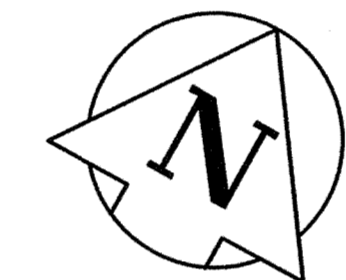


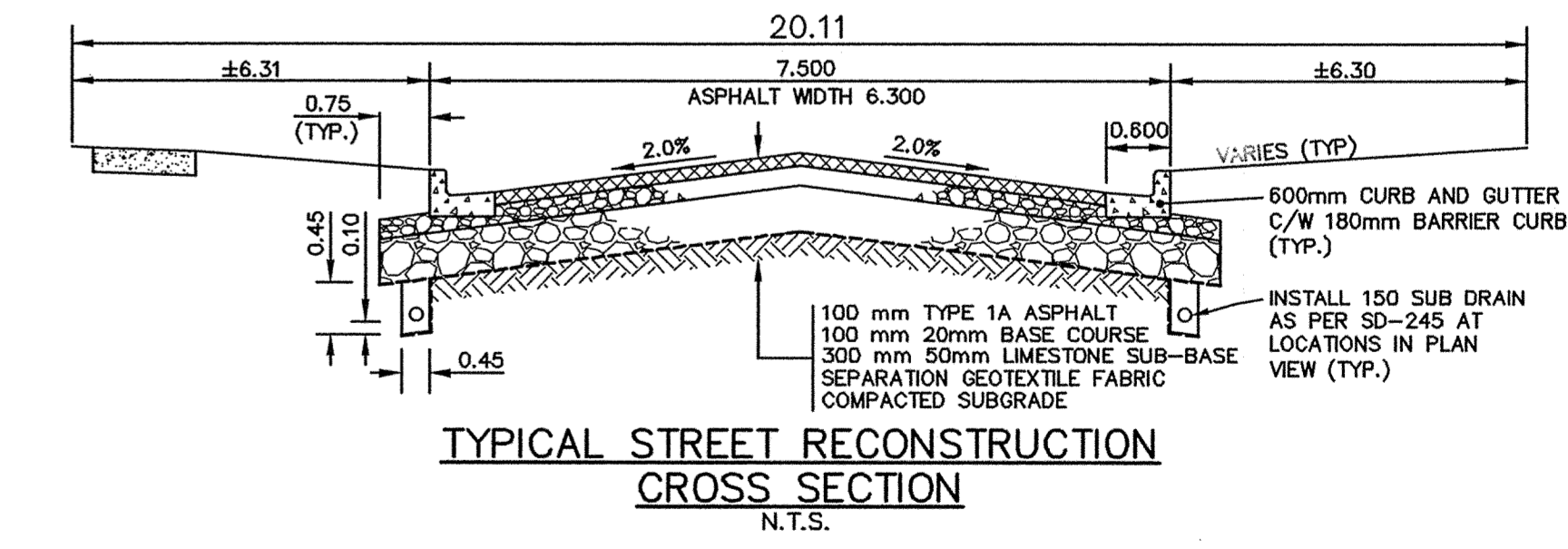
CHAINAGE ALONG CENTER OF ROW

NESBITT BAY



- NOTES:**
1. REMOVE EX. CONCRETE PAVEMENT AND CONSTRUCT NEW ASPHALTIC PAVEMENT TYPE 1A (100mm)
 2. MODIFIED BARRIER CURB TO BE USED FOR CURB RENEWAL AT RADII AS DIRECTED BY CONTRACT ADMINISTRATOR
 3. PRIVATE WALKS TO REGRADED/RENEWED AS DIRECTED BY CONTRACT ADMINISTRATOR
 4. CONSTRUCT NEW CURB AND GUTTER (180mm HT)
 5. DRIVEWAY RENEWALS TO BE DIRECTED BY CONTRACT ADMINISTRATOR
 6. ABANDONMENT OF EXISTING CURB INLETS TO BE DIRECTED BY CONTRACT ADMINISTRATOR
 7. EX. MANHOLES, CATCHBASIN, GATE VALVES AND OTHER APPURTENANCES TO BE ADJUSTED AS DIRECTED BY CONTRACT ADMINISTRATOR
 8. INSTALLATION OF NEW CATCHPITS, CATCHBASINS AND SUBDRAINS TO BE DIRECTED BY CONTRACT ADMINISTRATOR
 9. CONTRACTOR TO COMPLETE LIGHTING (INCLUDING BASES, WIRING AND LAMP STANDARDS) AND COORDINATE WITH MANITOBA HYDRO. REFER TO MANITOBA HYDRO DRAWING No.:704-2013_Drawing_1-04707-DD-50000-0174-03-RO FOR LOCATION OF NEW STREET LIGHTS.
 10. RECONSTRUCTION TO BE COORDINATED WITH 2013 SUPPLEMENTAL WATER MAIN RENEWALS (CONTRACT NOT YET AWARDED)

MATCHLINE 1+90



"Description of property limits, and existing and/or proposed features relative to these limits as shown on this drawing do not represent a Legal Survey. GENVAR makes no representation or guarantee that the property limit information is accurate. GENVAR accepts no responsibility for damages, if any, suffered by any third party as a result of decisions made or actions based on this drawing."

METRIC
WHOLE NUMBERS INDICATE MILLIMETRES
DECIMALIZED NUMBERS INDICATE METRES



	WATERMAIN		HYDRANT		M.T.S.		WATERMAIN VALVE		LAND DRAINAGE SEWER
	VALVE		CURB STOP		CONCRETE/ASPHALT		WASTE WATER SEWER		CENTERLINE
	WASTE WATER SEWER		PROPERTY LINE		ELEVATIONS		SOUTH & WEST GUTTER		NORTH & EAST GUTTER
	LAND DRAINAGE SEWER		TEST HOLE LOCATION		SOUTH & WEST GROUND		NORTH & EAST S.W.		
	C.B. LEAD								
	MANHOLE								
	CATCH BASIN								
	GAS								
	HYDRO								
	EXISTING		PROPOSED		EXISTING		PROPOSED		EXISTING

LOCATION APPROVED UNDERGROUND STRUCTURES

DATE COMMITTEE

NOTE:
LOCATION OF UNDERGROUND STRUCTURES AS SHOWN ARE BASED ON THE BEST INFORMATION AVAILABLE BUT NO GUARANTEE IS GIVEN THAT ALL EXISTING UTILITIES ARE SHOWN OR THAT THE GIVEN LOCATIONS ARE EXACT. CONFIRMATION OF EXISTENCE AND EXACT LOCATION OF ALL SERVICES MUST BE OBTAINED FROM THE INDIVIDUAL UTILITIES BEFORE PROCEEDING WITH CONSTRUCTION.

B.M. 64-005 ELEV. 232.353			
1 ISSUED FOR TENDER	13/08/13	R.H.	
NO. REVISIONS	DATE	BY	

GENVAR
19 PRAIRIE WAY WINNIPEG, MANITOBA R2J 3J8
PH: (204)-477-6650 FAX: (204)-474-2864

DESIGNED BY: R.H. CHECKED BY: S.M.
DRAWN BY: R.H. APPROVED BY: I.McK.
HOR. SCALE: 1:250
VERT. SCALE: 1:10
DATE: JULY 2013

ENGINEERS SEAL

CONSULTANT DRAWING NO. 131-21136-00-07

THE CITY OF WINNIPEG
PUBLIC WORKS DEPARTMENT

2013 CAPITAL WORKS LOCAL STREET RENEWAL

NESBITT BAY
FROM PEMBINA HWY TO MATCHLINE AT STA. 1+90
PAVEMENT RECONSTRUCTION

CITY DRAWING NO. SHEET 1 OF 3 DRAWING NO. 704-2013-07