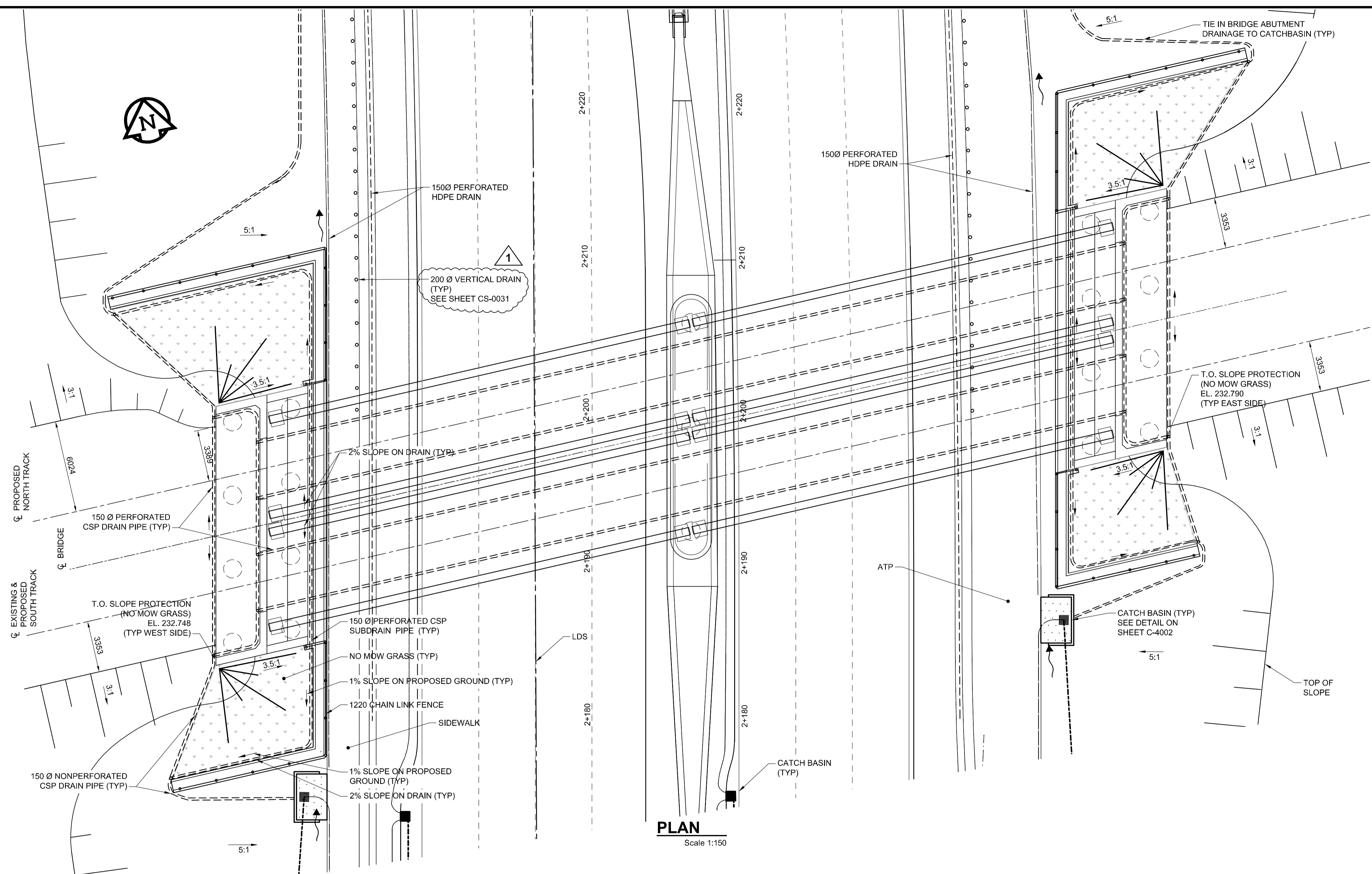
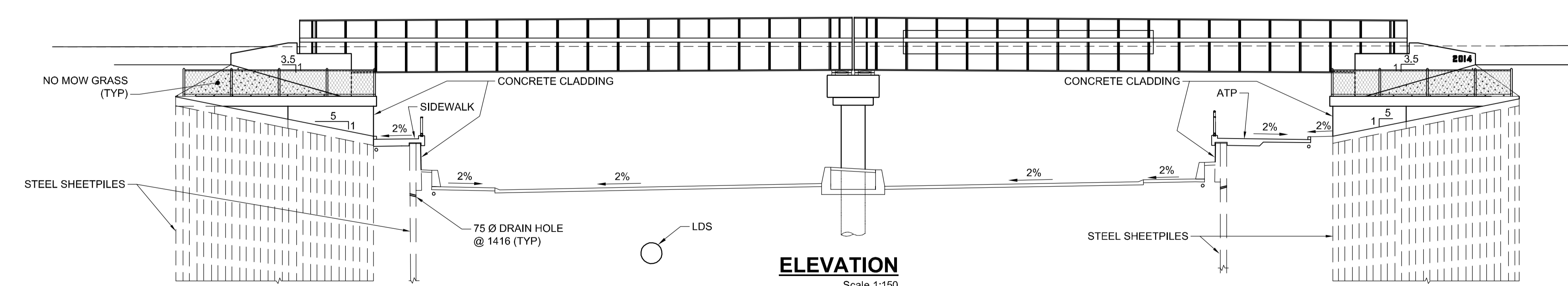


A1 - 841694
2013-12-10
J:\COMMON_DEFAULT.CIB



PLAN
Scale 1:150



ELEVATION
Scale 1:150

APEGM
Certificate of Authorization
AECOM Canada Ltd.
ORIGINAL SIGNED ON
No. 4671 Date: 2013/11/21

BID OPPORTUNITY NO. 712-2013

LOCATION APPROVED UNDERGROUND STRUCTURES			
SUPV. U/G STRUCTURES COMMITTEE	DATE		
NOTE: LOCATION OF UNDERGROUND STRUCTURES AS SHOWN ARE BASED ON THE BEST INFORMATION AVAILABLE, BUT NO GUARANTEE IS GIVEN THAT THE GIVEN LOCATIONS ARE EXACT. CONFIRMATION OF EXISTENCE AND EXACT LOCATION OF ALL SERVICES MUST BE OBTAINED FROM THE INDIVIDUAL UTILITIES BEFORE PROCEEDING WITH CONSTRUCTION.			

B.M. ELEV.	NO.	REVISIONS	DATE	BY
	1	ISSUED FOR ADDENDUM	2013/12/10	DJH
	0	ISSUED FOR TENDER	2013/11/21	KC

AECOM	
DESIGNED BY FT	CHECKED BY EBL
DRAWN BY DJH	APPROVED BY EBL
HOR. SCALE: AS NOTED	RELEASED FOR CONSTRUCTION BY:
VERTICAL: AS NOTED	
DATE 2013-06-04	DATE

ENGINEER'S SEAL
PROVINCE OF MANITOBA
ORIGINAL SIGNED BY
F. TABET
Member 38656
ON NOV 21, 2013
REGISTERED PROFESSIONAL ENGINEER
CONSULTANT DRAWING NO.
60273041-01-CS-003

THE CITY OF WINNIPEG
PUBLIC WORKS DEPARTMENT

PLESSIS ROAD TWINNING AND GRADE SEPARATION AT CN REDDITT SUBDIVISION
CONTRACT 3

CITY DRAWING NUMBER
U238-2014-2003
SHEET 03 OF 37

GRADING, SLOPE PROTECTION AND DRAINAGE

CS-0003