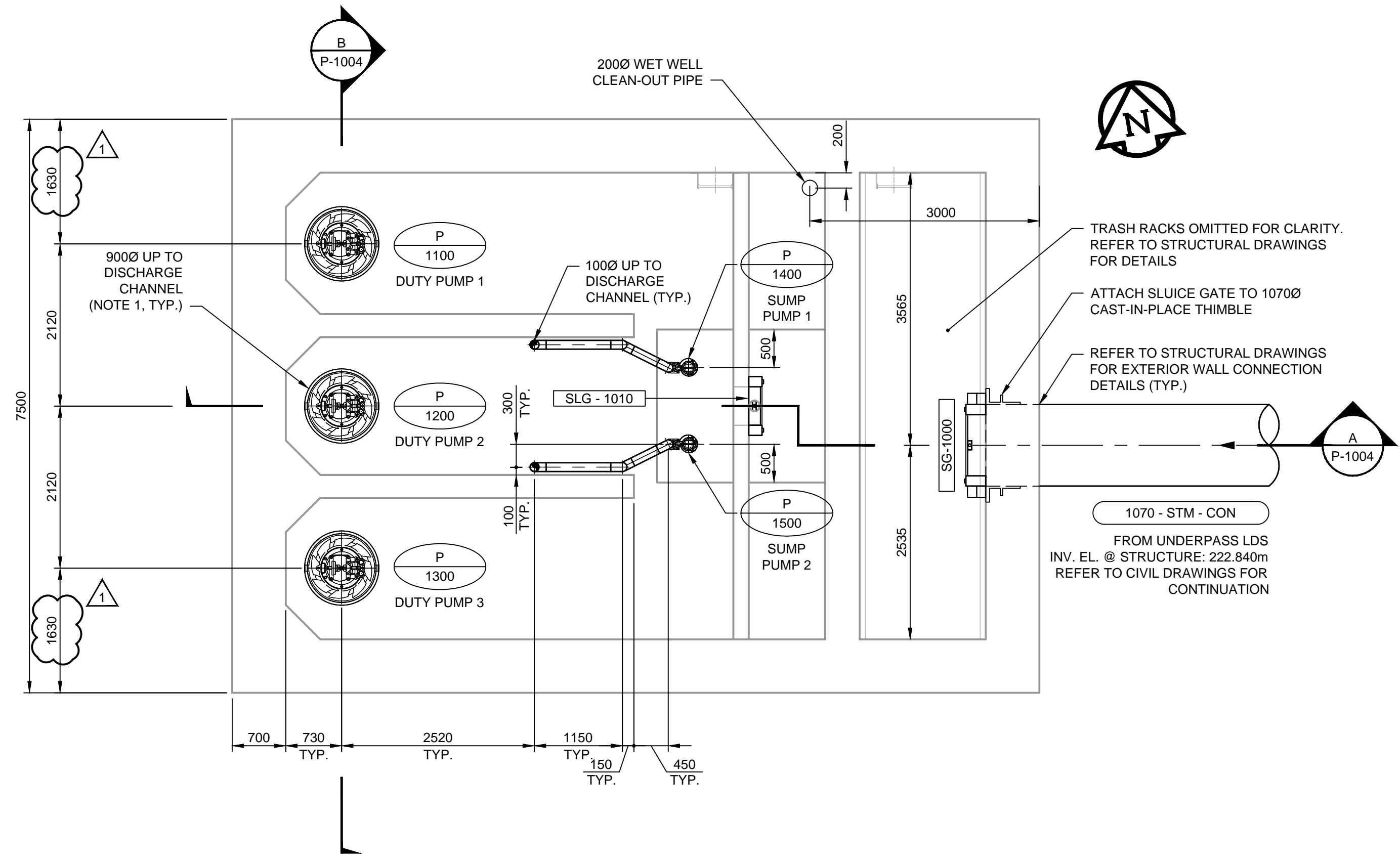
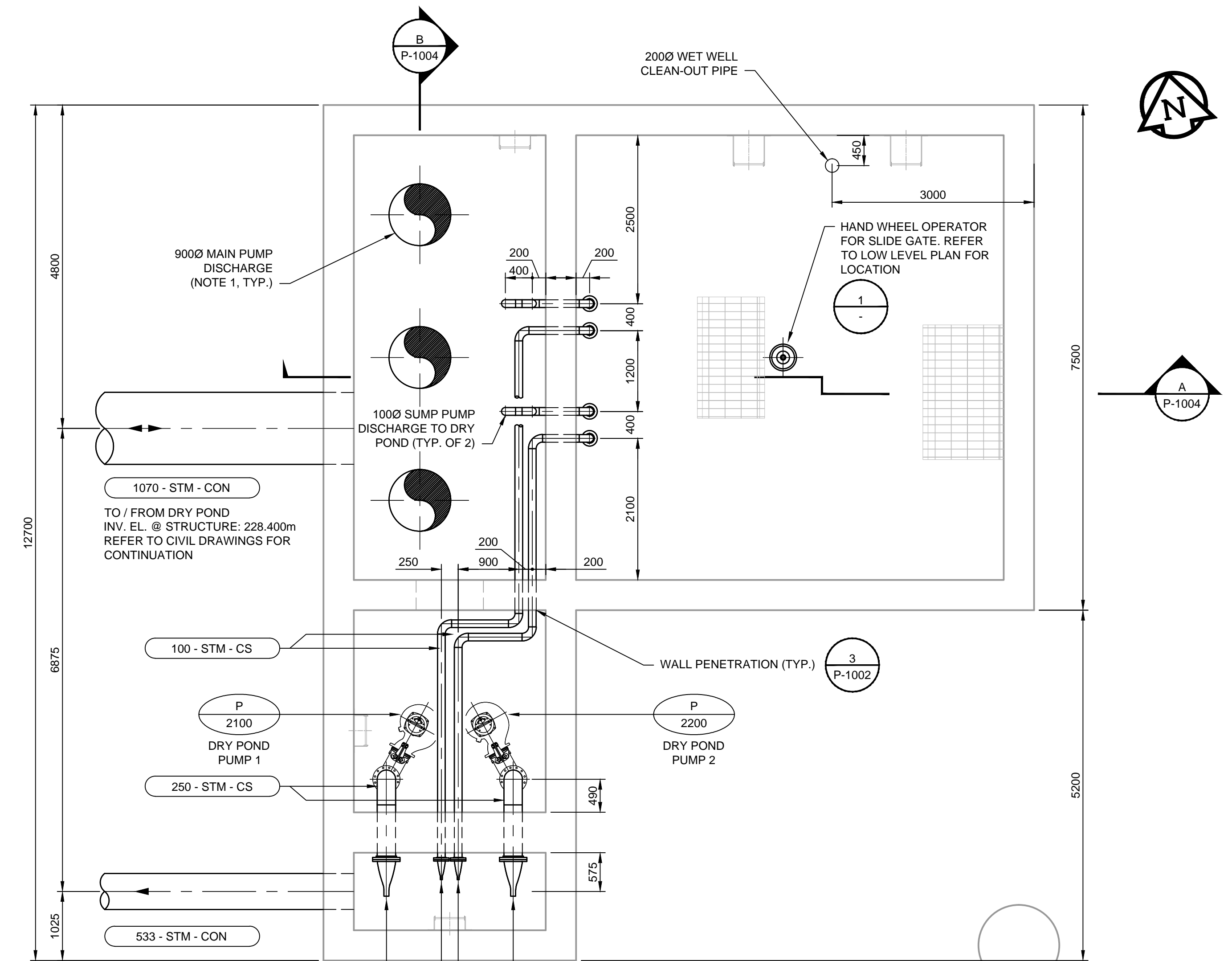
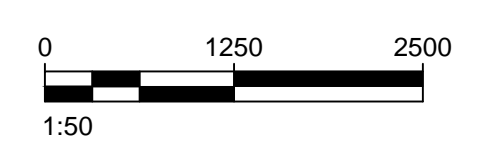


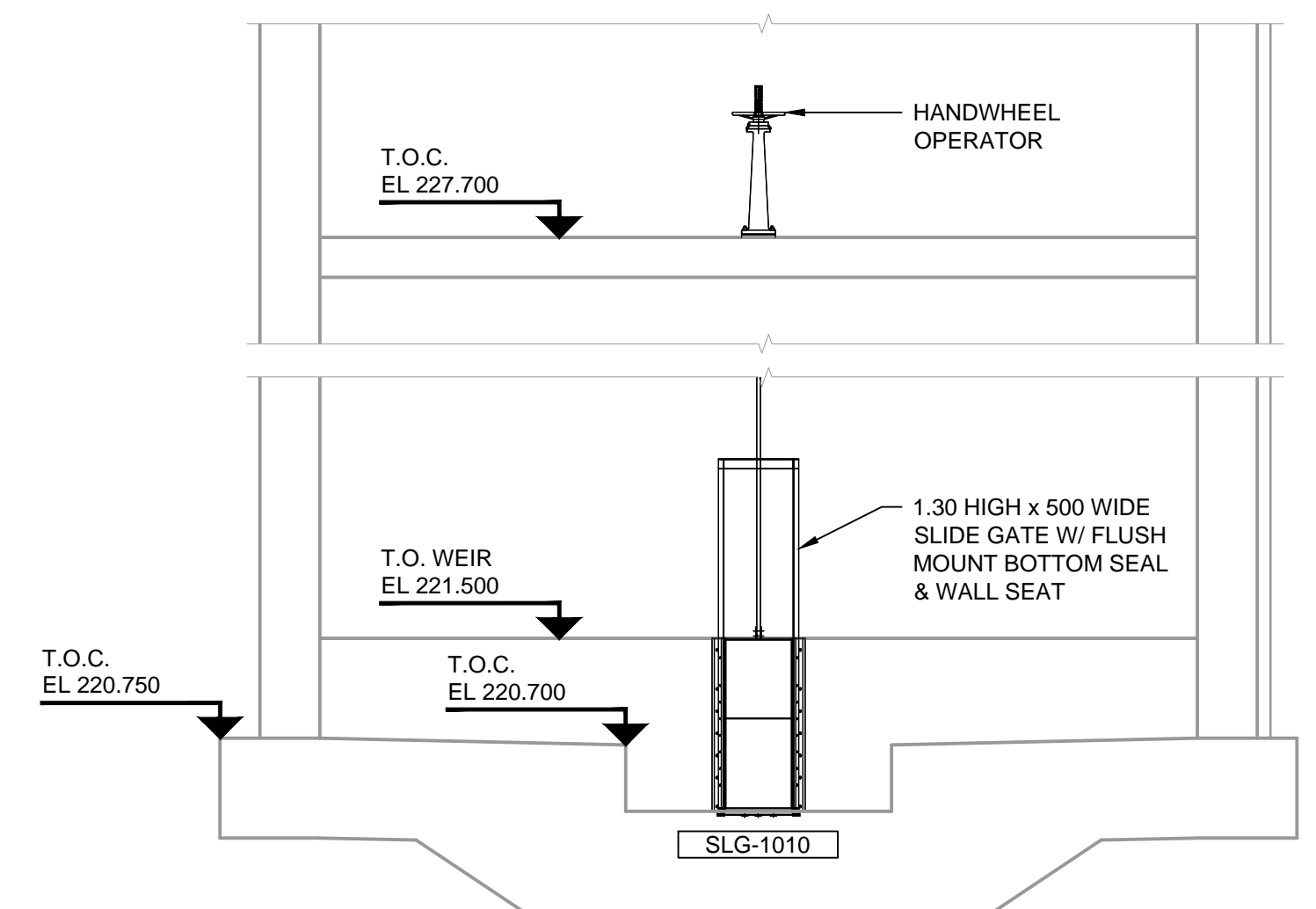
AL - 814094
RIP-10-11
AECOM REVIEW DRFT CHK
AECOM/INGEN/DETAILS



LOW LEVEL PLAN

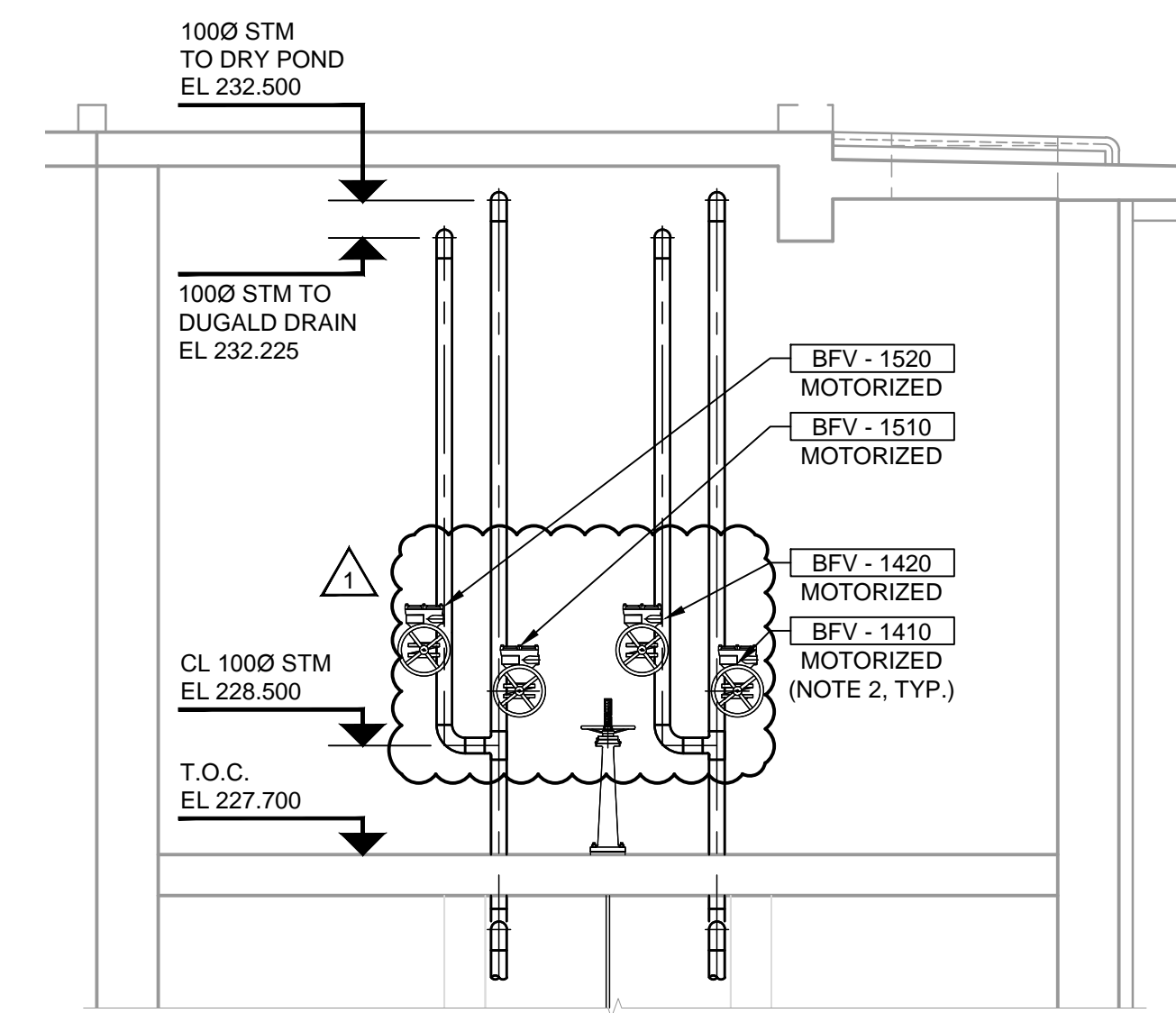


MID LEVEL PLAN



1 | SLIDE GATE DETAIL

Scale 1:50



2 | SUMP PUMP DISCHARGE DETAIL

Scale 1:50

NOTE:
1. DRAFT TUBE DIAMETER MAY DIFFER DEPENDING ON PUMP MODEL. COORDINATE FLOOR PENETRATION DETAILS WITH PUMP SUPPLIER PRIOR TO COMMENCING WORK.
2. VALVE ARRANGEMENT ON SUMP PUMP DISCHARGE LINES TO CONTROL DISCHARGE LOCATION, EITHER TO DRY POND OR TO DUGALD DRAIN. MOUNT VALVES AT A SERVICEABLE HEIGHT.

LOCATION APPROVED UNDERGROUND STRUCTURES	
SUPV. U/G STRUCTURES COMMITTEE	DATE
NOTE: LOCATION OF UNDERGROUND STRUCTURES AS SHOWN ARE BASED ON THE BEST INFORMATION AVAILABLE, BUT NO GUARANTEE IS GIVEN THAT ALL EXISTING UTILITIES ARE SHOWN OR THAT THE GIVEN LOCATIONS ARE EXACT. CONFIRMATION OF EXISTENCE AND EXACT LOCATION OF ALL SERVICES MUST BE OBTAINED FROM THE INDIVIDUAL UTILITIES BEFORE PROCEEDING WITH CONSTRUCTION.	

B.M. ELEV.	NO.	REVISIONS	DATE	BY
	1	ISSUED FOR ADDENDUM	14/01/14	WJd
	0	ISSUED FOR TENDER	13/10/15	SRG

AECOM		DESIGNED BY	CL	CHECKED BY	
		DRAWN BY	SRG	APPROVED BY	
HOR. SCALE:		AS NOTED		RELEASED FOR CONSTRUCTION BY:	
VERTICAL:		AS NOTED		DATE	

AECOM
Certificate of Authorization
AECOM Canada Ltd.
No. 4671 Date: _____

THE CITY OF WINNIPEG
PUBLIC WORKS DEPARTMENT

PLESSIS ROAD TWINNING AND GRADE SEPARATION AT CN REDDITT SUBDIVISION
CONTRACT 3

PUMPING STATION
PROCESS MECHANICAL
PLANS & DETAILS

CITY DRAWING NUMBER
U238-2014-2373
SHEET 3 OF 5

CONSULTANT DRAWING NO.
60273041-SHT-01-Con3- P-1003

P-1003

BID OPPORTUNITY NO. 712-2013