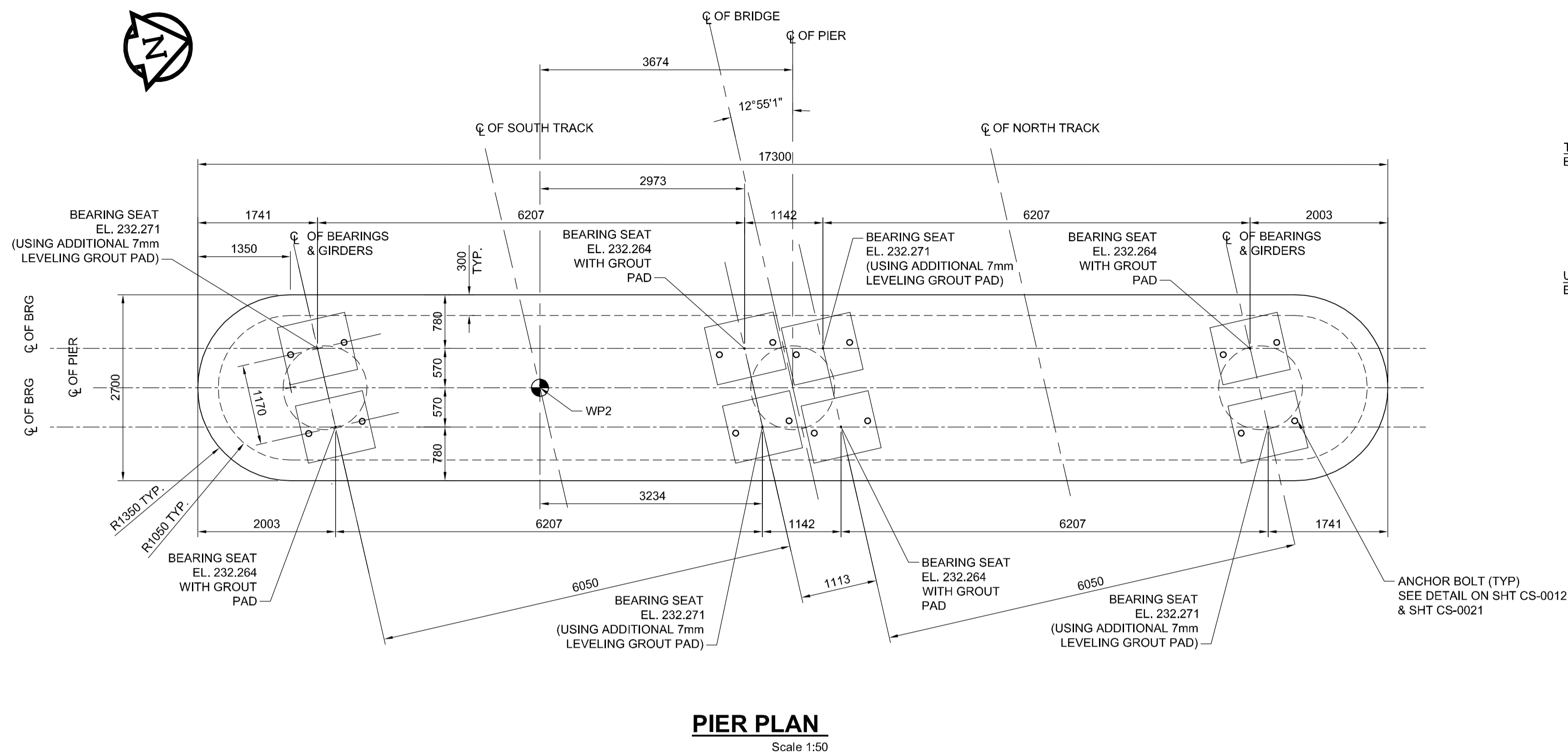
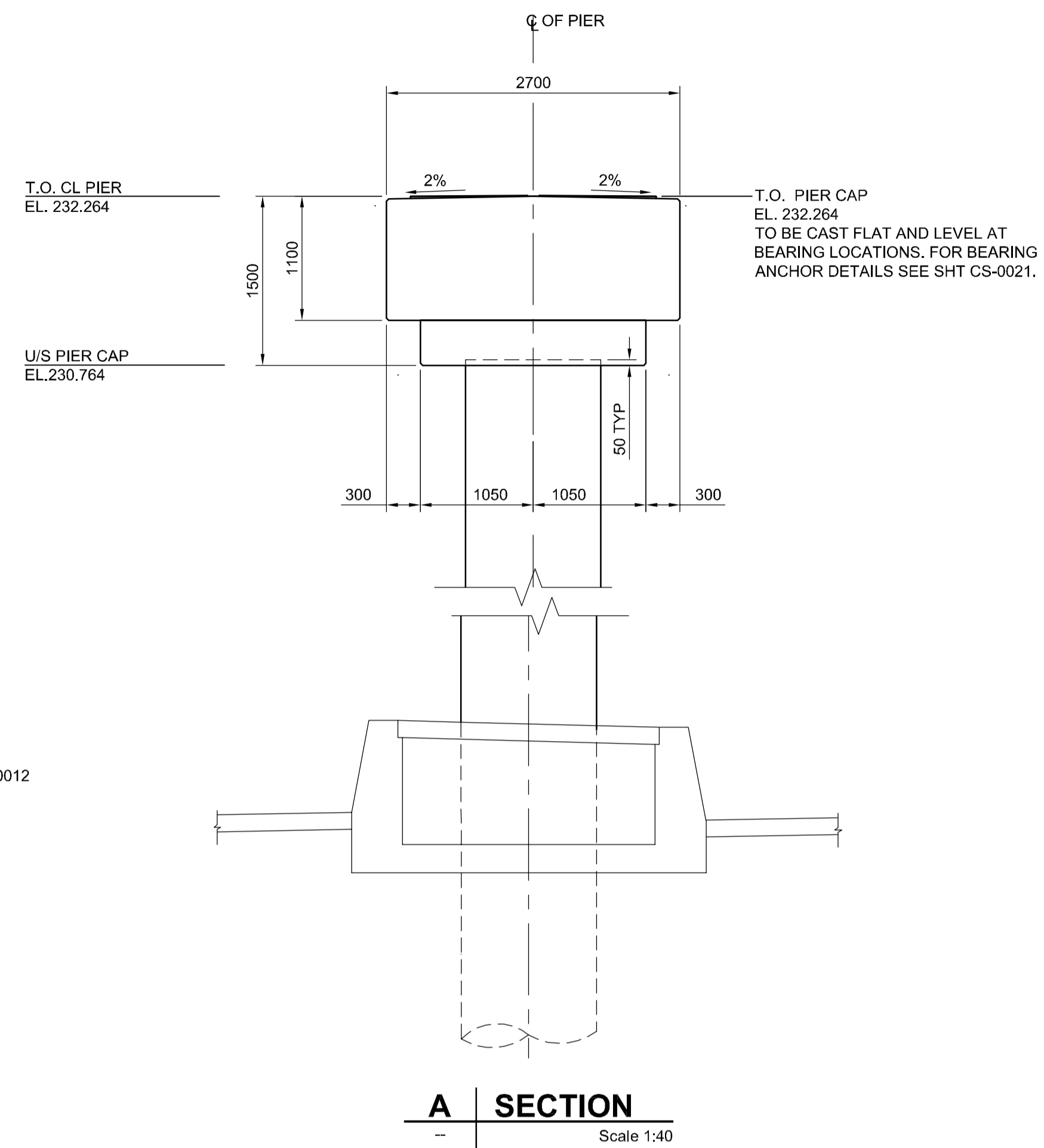


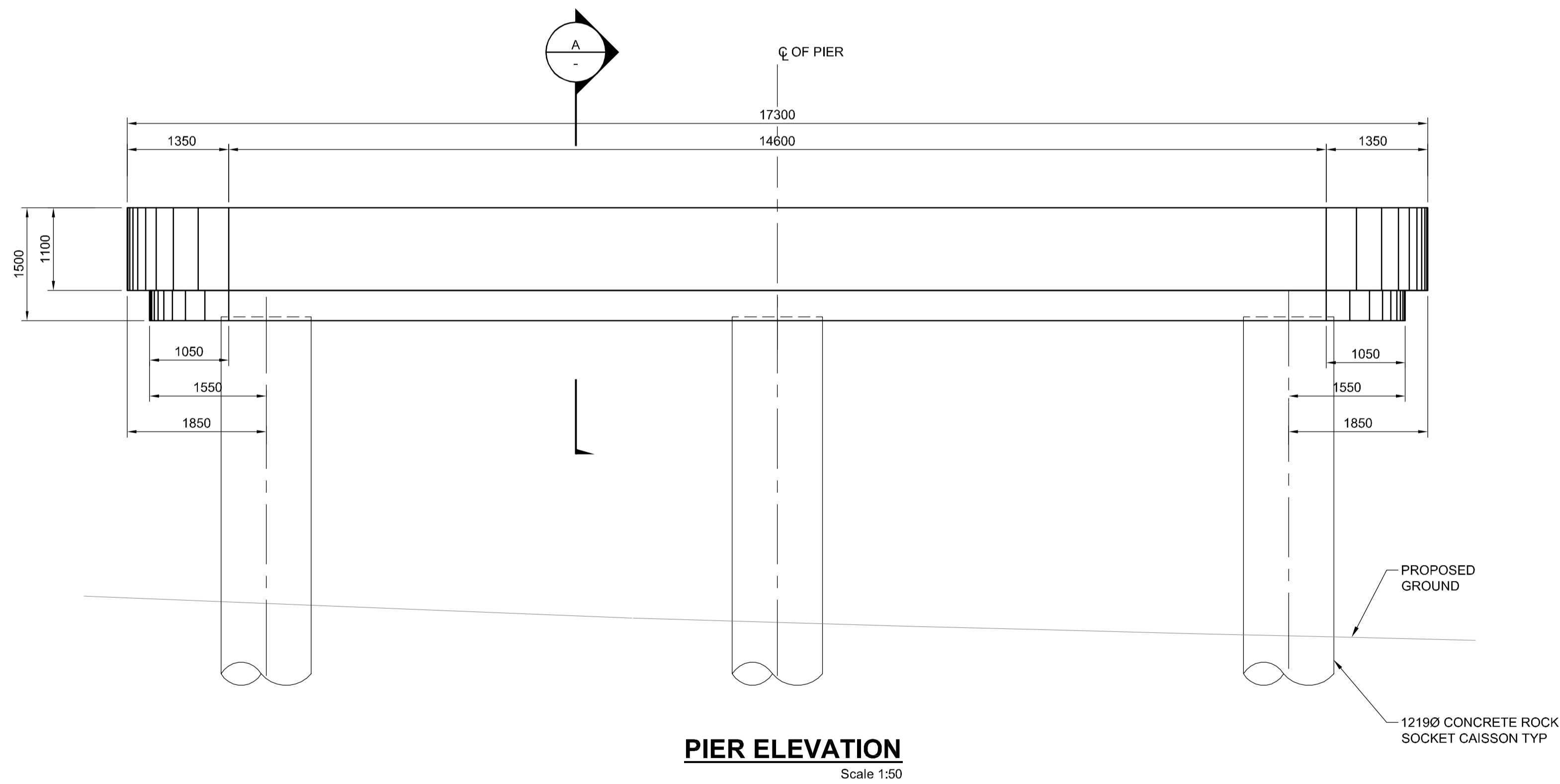
AL - 841694
6033-11-21
AECOMMDD_DEFAULT.CTP



PIER PLAN
Scale 1:50



A SECTION
Scale 1:40



PIER ELEVATION
Scale 1:50

- NOTES:**
1. FOR GENERAL NOTES SEE SHEET CS-0001
 2. FOR FOUNDATION NOTES SEE SHEET CS-0001
 3. CONTRACTOR TO FIELD CONFIRM ALL DIMENSIONS RELATED TO THE EXISTING STRUCTURES
 4. RESOLVE WITH CONTRACT ADMINISTRATOR ALL DISCREPANCIES PRIOR TO START OF CONSTRUCTION
 5. ALL EXPOSED EDGES SHALL BE 20 x 20mm CHAMFERS

BID OPPORTUNITY NO. 712-2013



LOCATION APPROVED UNDERGROUND STRUCTURES

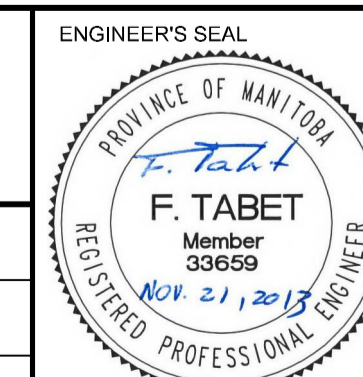
SUPV. U/G STRUCTURES COMMITTEE DATE

NOTE:
LOCATION OF UNDERGROUND STRUCTURES AS SHOWN ARE BASED ON THE BEST INFORMATION AVAILABLE, BUT NO GUARANTEE IS GIVEN THAT ALL EXISTING UTILITIES ARE SHOWN OR THAT THE GIVEN LOCATIONS ARE EXACT. CONFIRMATION OF EXISTENCE AND EXACT LOCATION OF ALL SERVICES MUST BE OBTAINED FROM THE INDIVIDUAL UTILITIES BEFORE PROCEEDING WITH CONSTRUCTION.

B.M. ELEV.	NO.	ISSUED FOR TENDER	DATE	BY
	0	ISSUED FOR TENDER	2013/11/21	KC
		REVISIONS		



DESIGNED BY	FT	CHECKED BY	CD
DRAWN BY	DJH	APPROVED BY	EBL
HOR. SCALE:	AS NOTED	RELEASED FOR CONSTRUCTION BY:	
VERTICAL:	AS NOTED		
DATE	2013-06-04	DATE	



THE CITY OF WINNIPEG PUBLIC WORKS DEPARTMENT

PLESSIS ROAD TWINNING AND GRADE SEPARATION AT CN REDDITT SUBDIVISION CONTRACT 3

CITY DRAWING NUMBER U238-2014-2014
SHEET 14 OF 37

CONSULTANT DRAWING NO. 60273041-01-CS-106

SU2 PIER CONCRETE

CS-0014