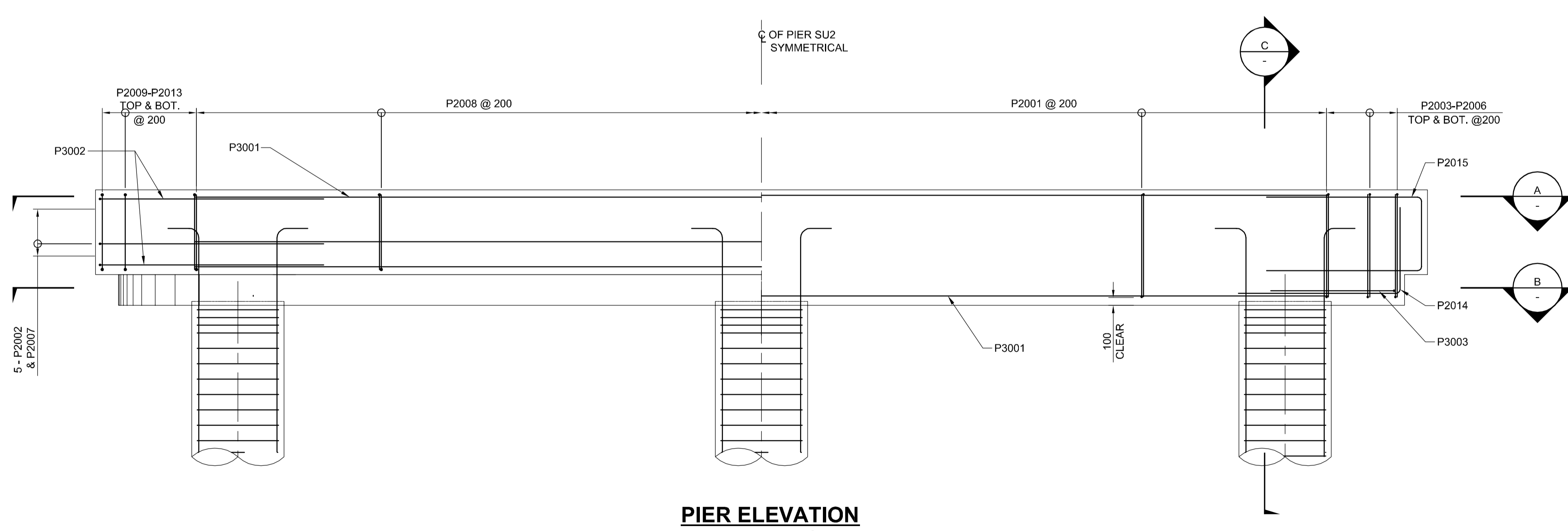
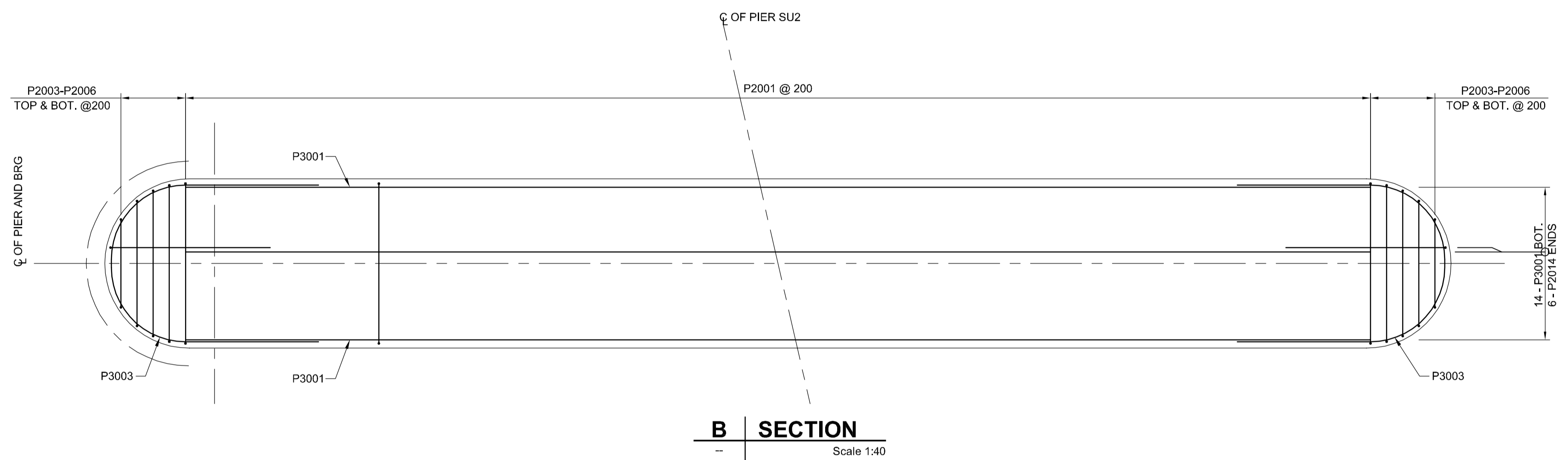
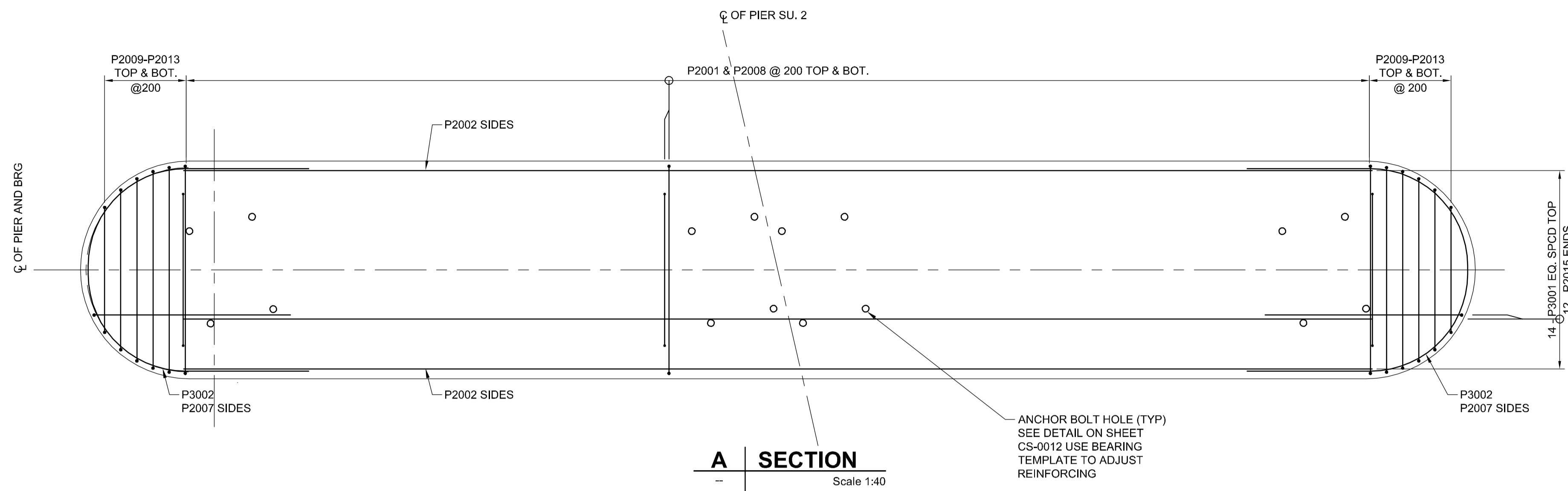
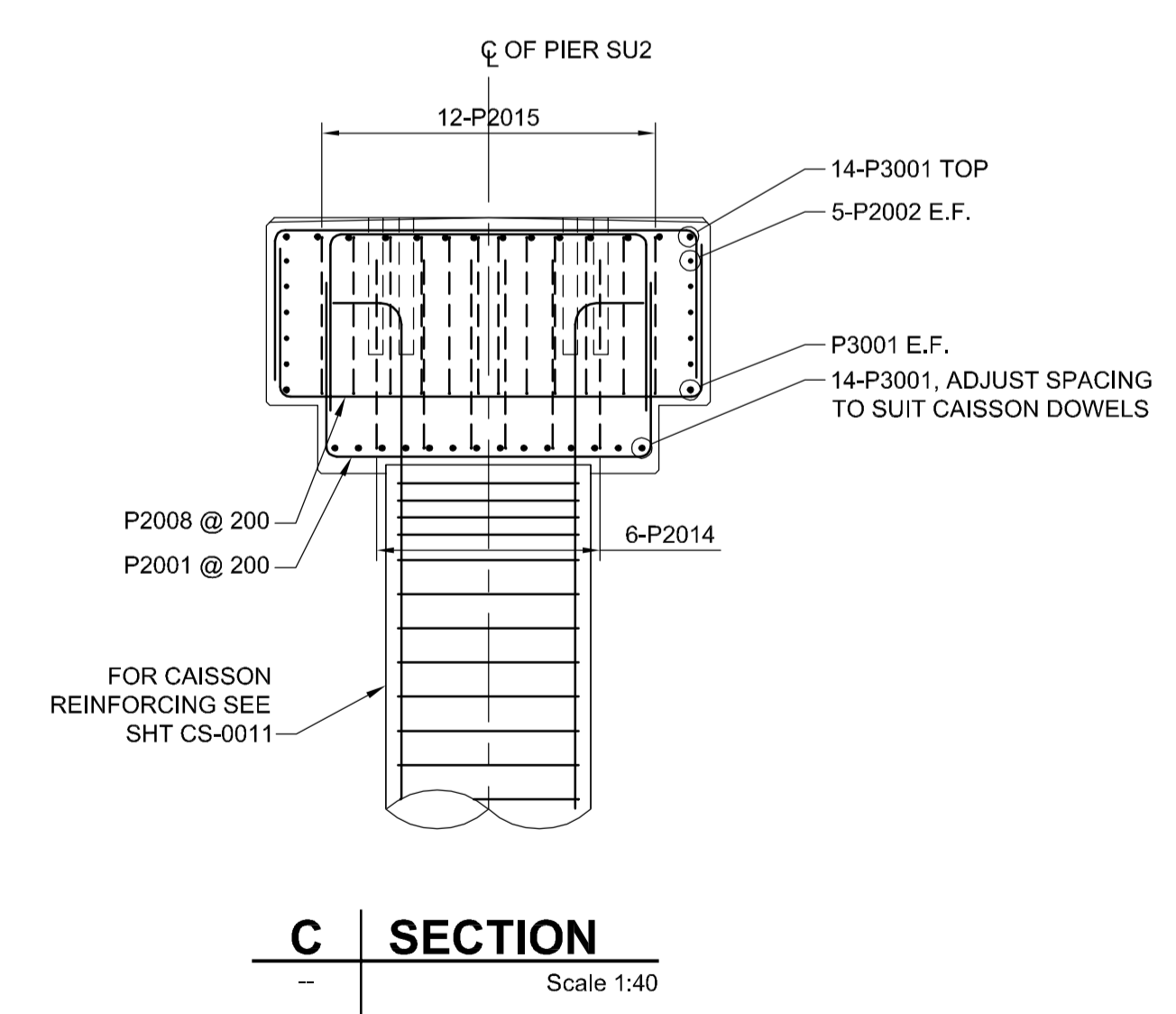


AL - 841694
603-11-21
AECOMMO_DEFAULT.CTP
P:\60273041\000-CADD\02-SHEETS\CS\60273041-01-CS-107.DWG



MARKS	NO BARS	SIZE	LENGTH	TYPE	A	B	C	D	O	R*	SHAPE	MASS (kg)
PIER CAP												
P3001	30	30	14600	STR							U	2406.8
P3002	4	30	8284	10	2150	3984	2150		2535	1268	U	182.1
P3003	2	30	6175	10	1600	2975	1600		1930	950	U	67.9
P2001	148	20	4200	17	1100	2000	1100				U	1463.9
P2002	10	20	14600	STR							U	343.8
P2003	4	20	4135	17	1100	1935	1100				U	39.0
P2004	4	20	3985	17	1100	1785	1100				U	37.5
P2005	4	20	3720	17	1100	1520	1100				U	35.0
P2006	4	20	3250	17	1100	1050	1100				U	30.6
P2007	10	20	6184	10	1100	3984	1100		2535	1268	U	145.6
P2008	148	20	4400	17	900	2600	900				U	1533.6
P2009	4	20	4350	17	900	2550	900				U	41.0
P2010	4	20	4240	17	900	2440	900				U	39.9
P2011	4	20	4050	17	900	2250	900				U	38.2
P2012	4	20	3765	17	900	1965	900				U	35.5
P2013	4	20	3330	17	900	1530	900				U	31.4
P2014	12	20	2915	17		1800	1115				U	82.4
P2015	24	20	5760	17	2400	960	2400				U	325.6
DWG TOTAL WEIGHT = 6879.8 kg GALVANIZED												
NOTE: ALL PIER REINFORCING TO BE GALVANIZED.												
* OUTSIDE RADIUS												



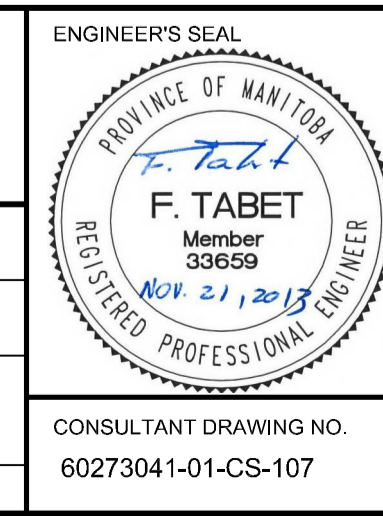
LOCATION APPROVED UNDERGROUND STRUCTURES

SUPV. U/G STRUCTURES COMMITTEE DATE

NOTE:
LOCATION OF UNDERGROUND STRUCTURES AS SHOWN ARE BASED ON THE BEST INFORMATION AVAILABLE, BUT NO GUARANTEE IS GIVEN THAT ALL EXISTING UTILITIES ARE SHOWN OR THAT THE GIVEN LOCATIONS ARE EXACT. CONFIRMATION OF EXISTENCE AND EXACT LOCATION OF ALL SERVICES MUST BE OBTAINED FROM THE INDIVIDUAL UTILITIES BEFORE PROCEEDING WITH CONSTRUCTION.

NO.	ISSUED FOR TENDER	DATE	BY
0	ISSUED FOR TENDER	2013/11/21	KC
	REVISIONS		

AECOM	
DESIGNED BY FT	CHECKED BY CD
DRAWN BY KC	APPROVED BY EBL
HOR. SCALE: AS NOTED	RELEASED FOR CONSTRUCTION BY:
NO.	DATE
0	2013-06-04



BID OPPORTUNITY NO. 712-2013

**THE CITY OF WINNIPEG
PUBLIC WORKS DEPARTMENT**

PLESSIS ROAD TWINNING AND GRADE SEPARATION AT CN REDDITT SUBDIVISION
CONTRACT 3

SU2 PIER REINFORCING

CITY DRAWING NUMBER
U238-2014-2015
SHEET 15 OF 37
CS-0015