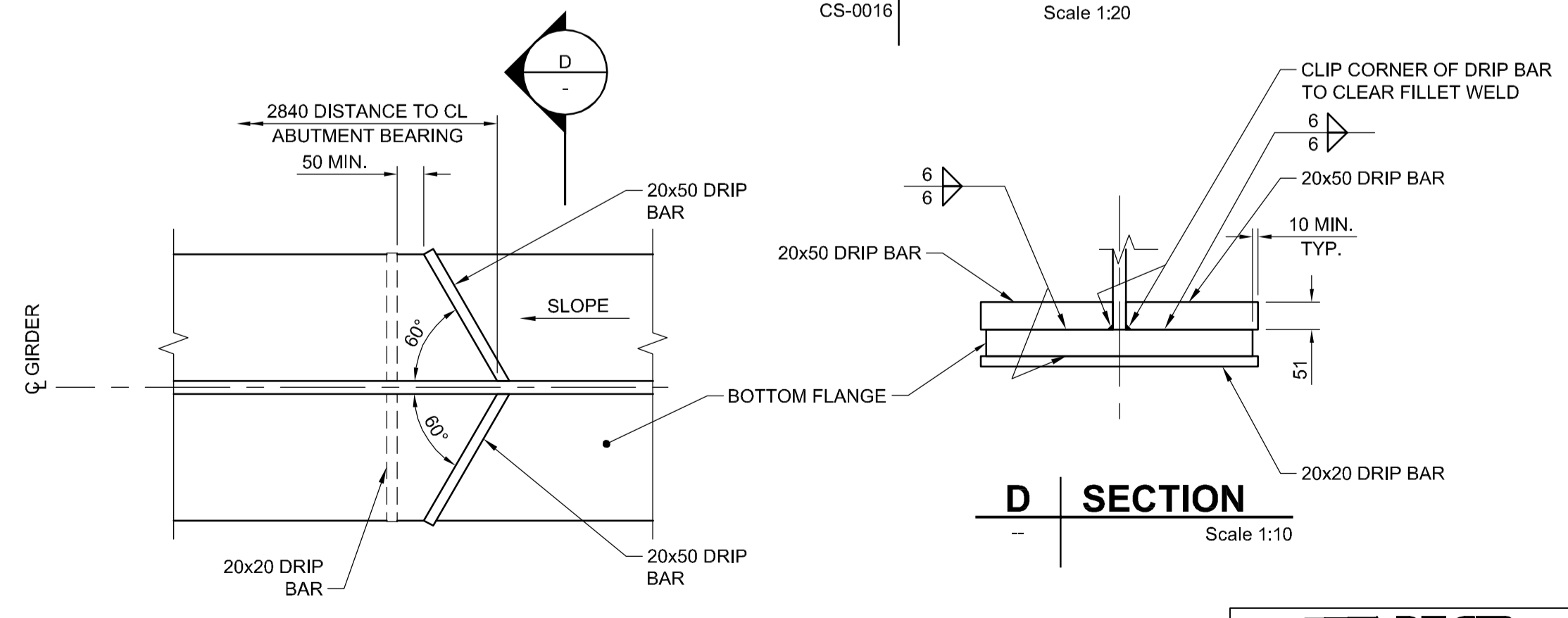
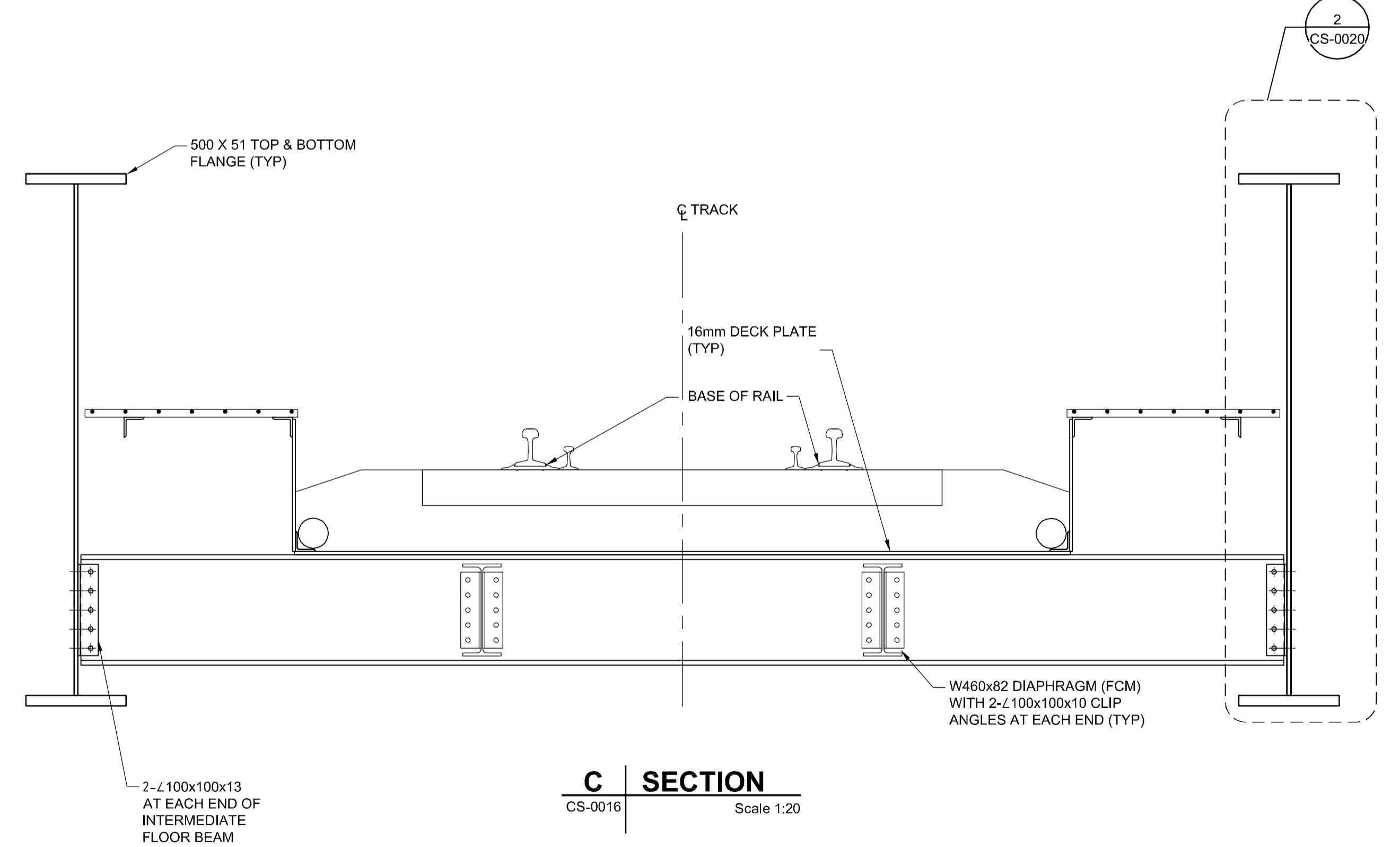
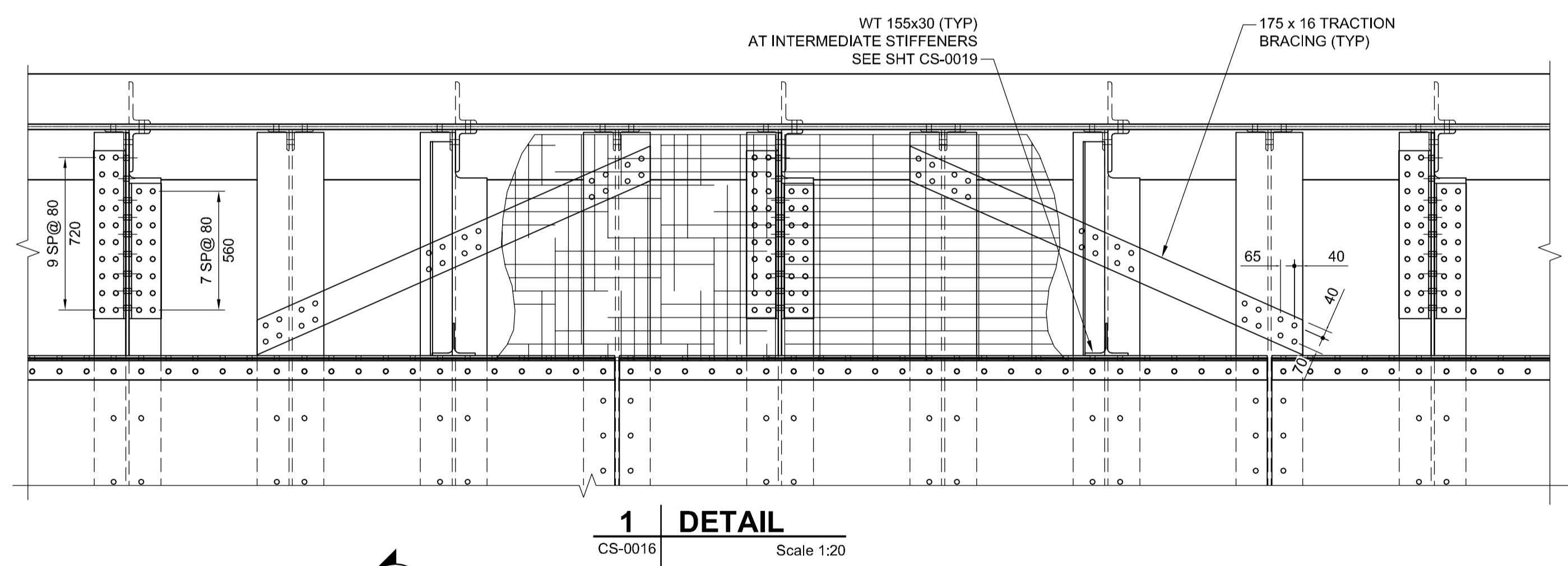
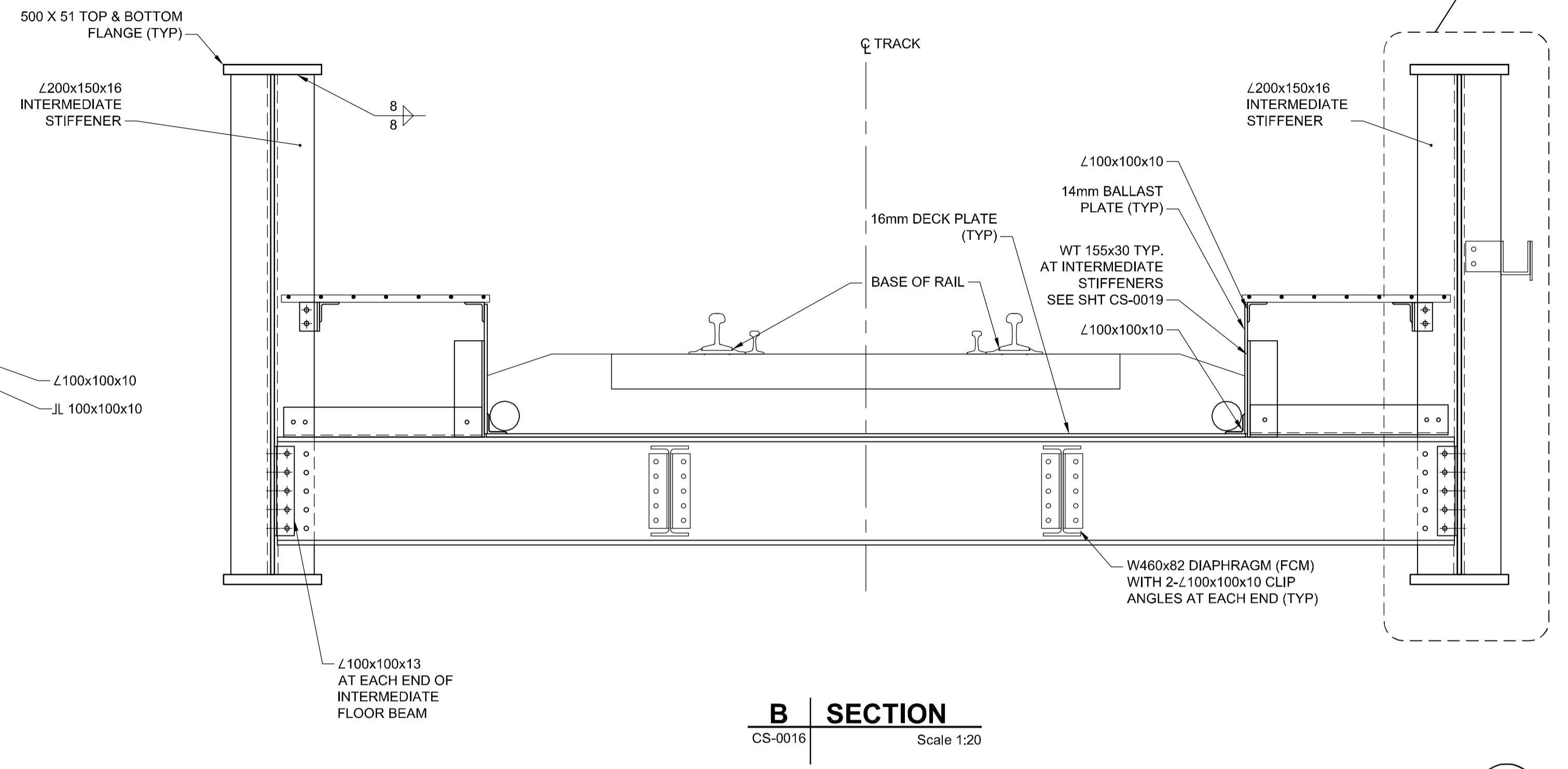
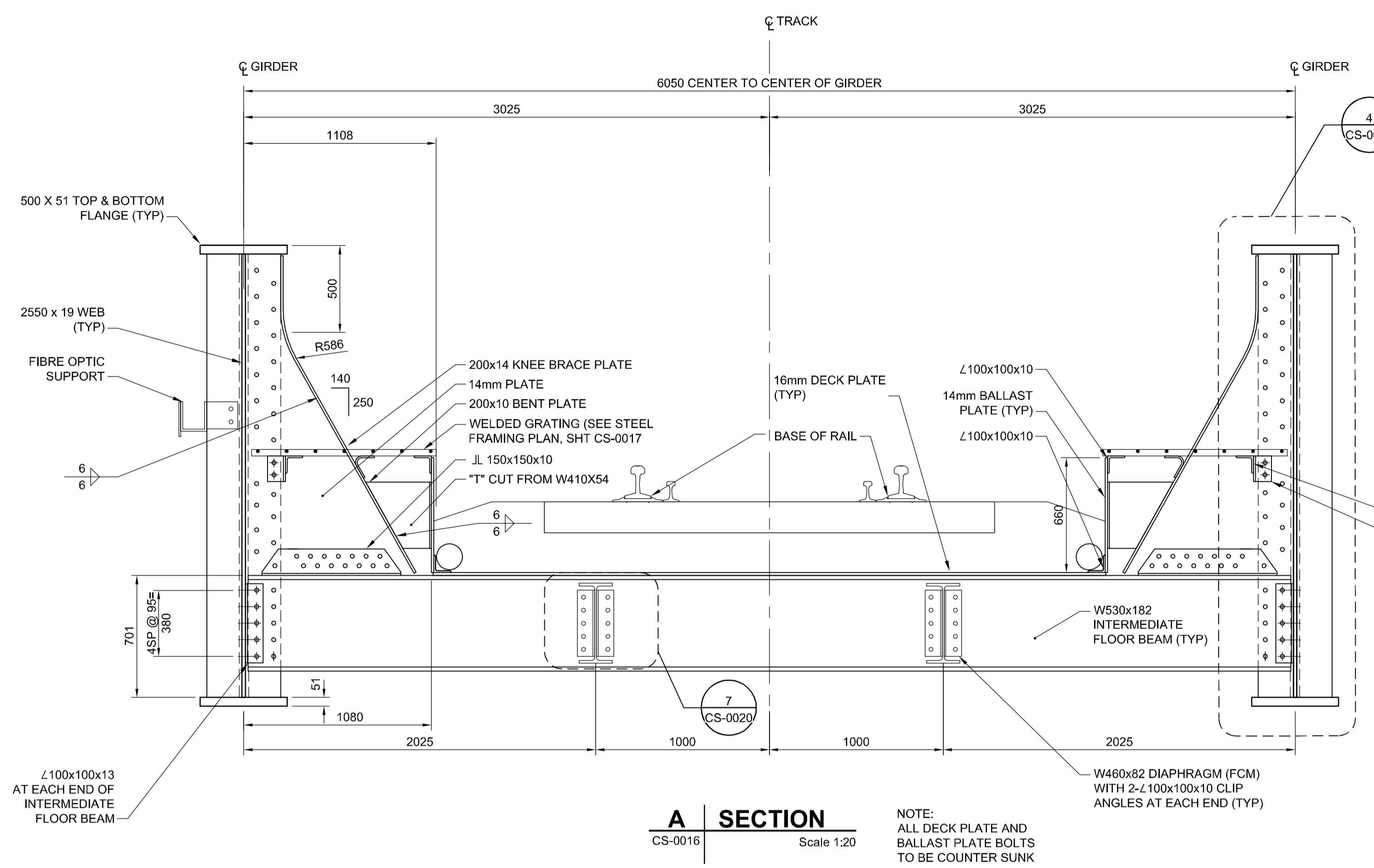


AI - 841694
603-11-21
AECOM - DEFAULT.CTB
P:\60273041\000-CADD\02-SHEETS\CS\60273041-01-CS-203.DWG

**INTERMEDIATE FLOOR BEAMS
W530x182 SPAN LENGTH = 6.0m**

TOTAL BOTTOM FLANGE STRESS = 137 MPa
 PERMISS. STRESS = 192 MPa
 RATIO $\frac{WORKING}{PERMISS.} = 71\%$
 $\frac{\Delta LL + I}{SPAN} = \frac{1}{799}$
 MAX. STRESS RANGE = 53%
 PERMISS. FATIGUE STRESS



DRIP BAR DETAIL
Scale 1:10

NOTE: DRIP BAR ON TOP OF BOTTOM FLANGE SHALL BE CALKED AGAINST FLANGE, WEB & FILLET WELD SUBJECT TO APPROVAL OF THE CONTRACT ADMINISTRATOR



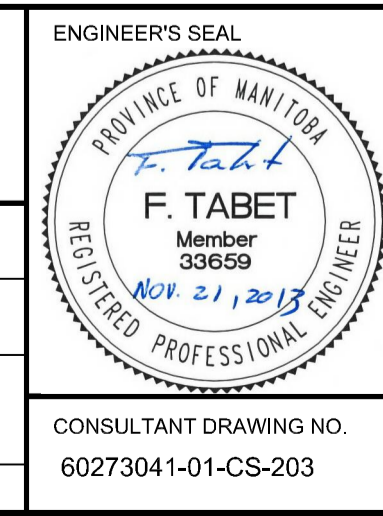
LOCATION APPROVED UNDERGROUND STRUCTURES

SUPV. U/G STRUCTURES COMMITTEE DATE

NOTE: LOCATION OF UNDERGROUND STRUCTURES AS SHOWN ARE BASED ON THE BEST INFORMATION AVAILABLE, BUT NO GUARANTEE IS GIVEN THAT ALL EXISTING UTILITIES ARE SHOWN OR THAT THE GIVEN LOCATIONS ARE EXACT. CONFIRMATION OF EXISTENCE AND EXACT LOCATION OF ALL SERVICES MUST BE OBTAINED FROM THE INDIVIDUAL UTILITIES BEFORE PROCEEDING WITH CONSTRUCTION.

B.M. ELEV.	NO.	REVISIONS	DATE	BY
	0	ISSUED FOR TENDER	2013/11/21	KC

AECOM		ENGINEER'S SEAL	
DESIGNED BY	FT	CHECKED BY	CD
DRAWN BY	KC	APPROVED BY	EBL
HOR. SCALE:	AS NOTED	RELEASED FOR CONSTRUCTION BY:	
VERTICAL:	AS NOTED		
NO.	ISSUED FOR TENDER	DATE	2013-06-04



THE CITY OF WINNIPEG PUBLIC WORKS DEPARTMENT

PLESSIS ROAD TWINNING AND GRADE SEPARATION AT CN REDDITT SUBDIVISION CONTRACT 3

INTERMEDIATE FLOOR BEAMS

CITY DRAWING NUMBER U238-2014-2018
SHEET 18 OF 37

CONSULTANT DRAWING NO. 60273041-01-CS-203

CS-0018

BID OPPORTUNITY NO. 712-2013