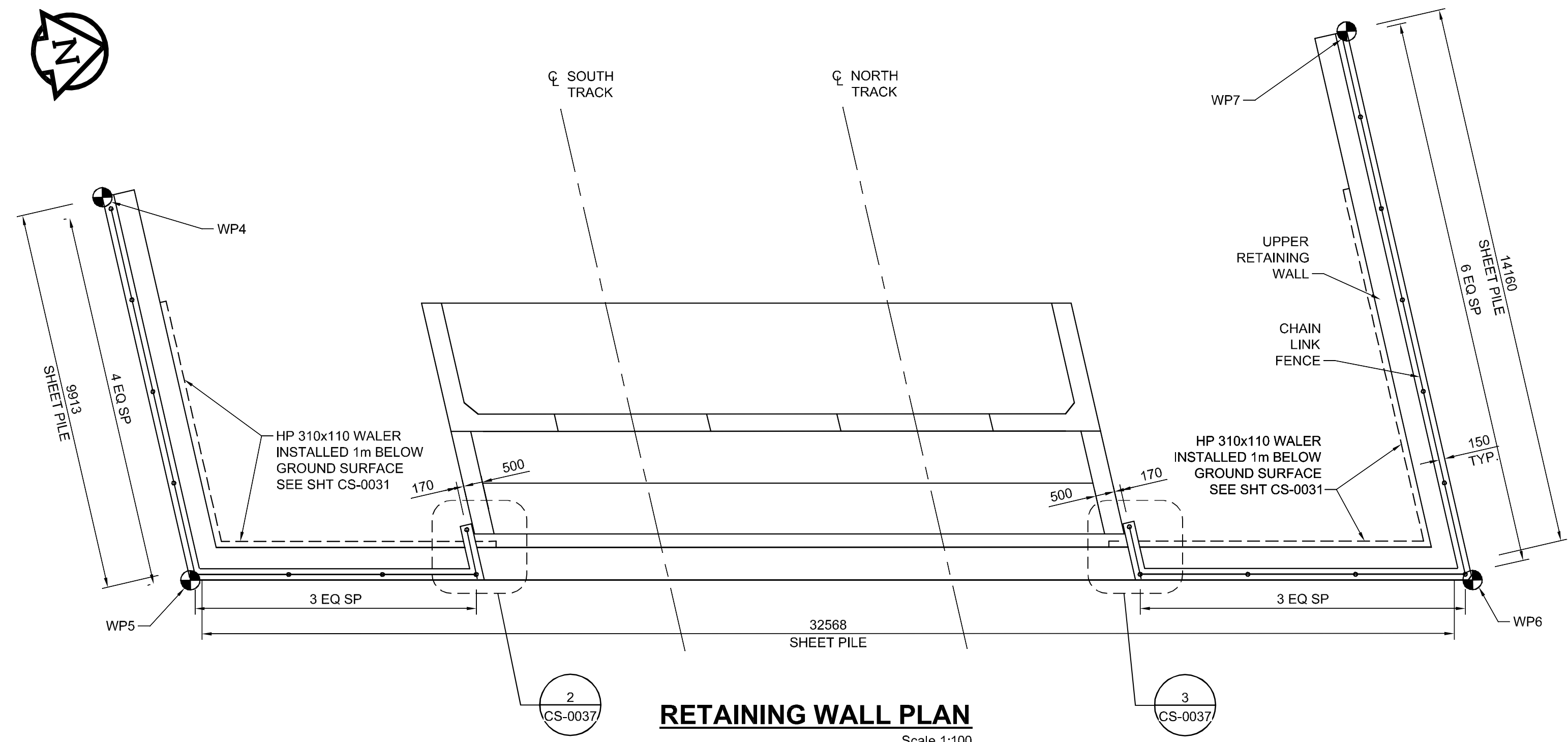
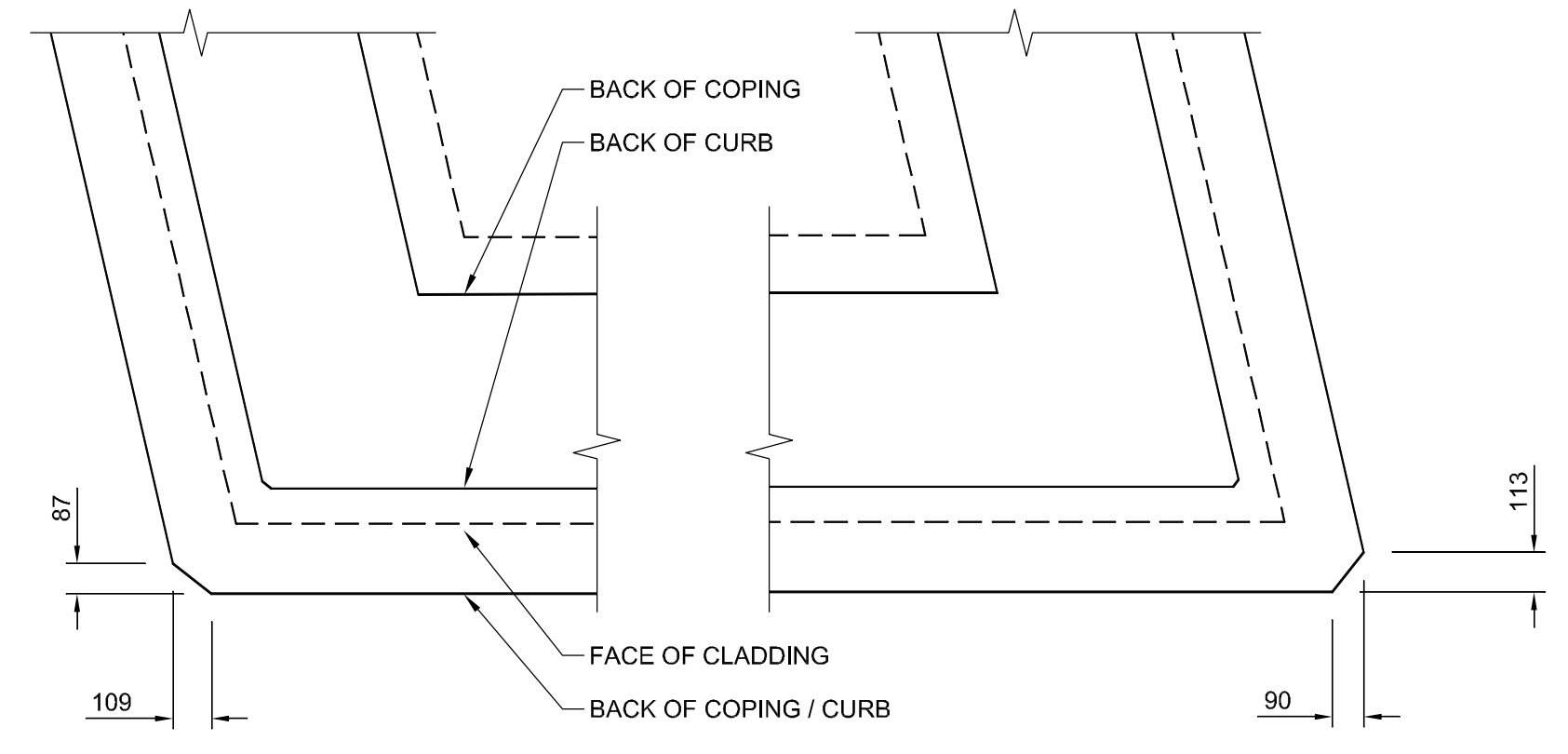


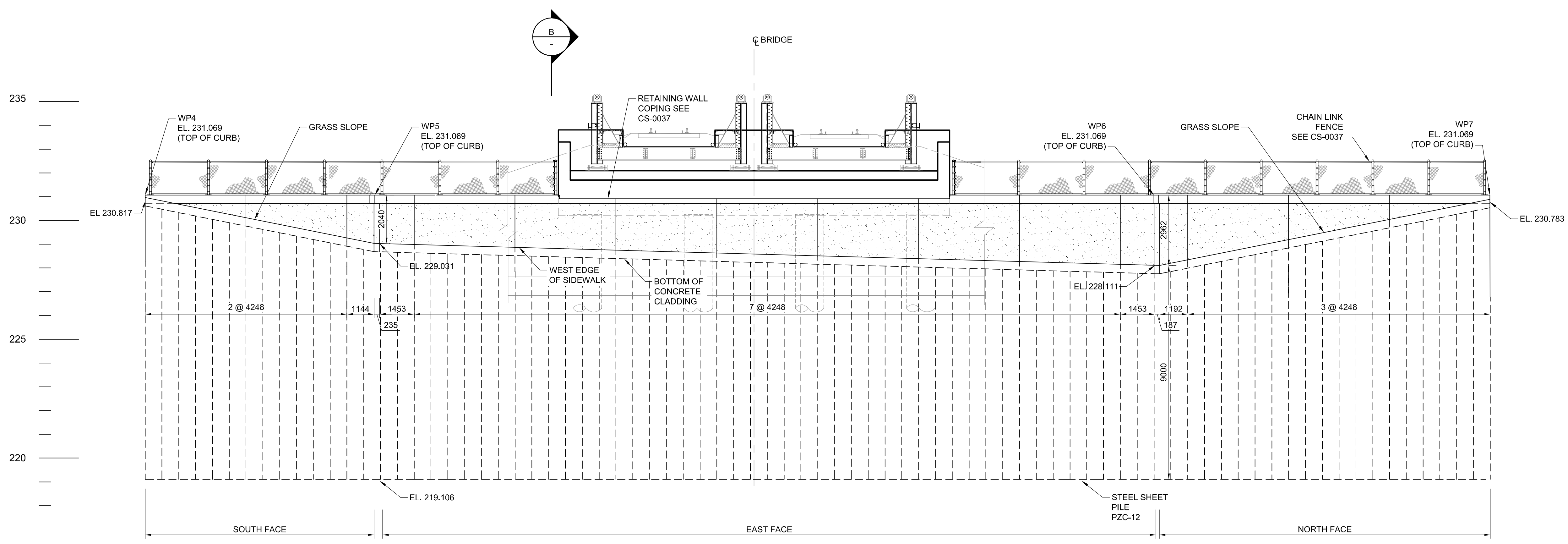
AL - 841694  
6033-11-21  
AECOMMOB\_DEFAULT.CTP  
P:\60273041\000-CADD\02-SHEETS\CS\60273041-01-CS-503.DWG



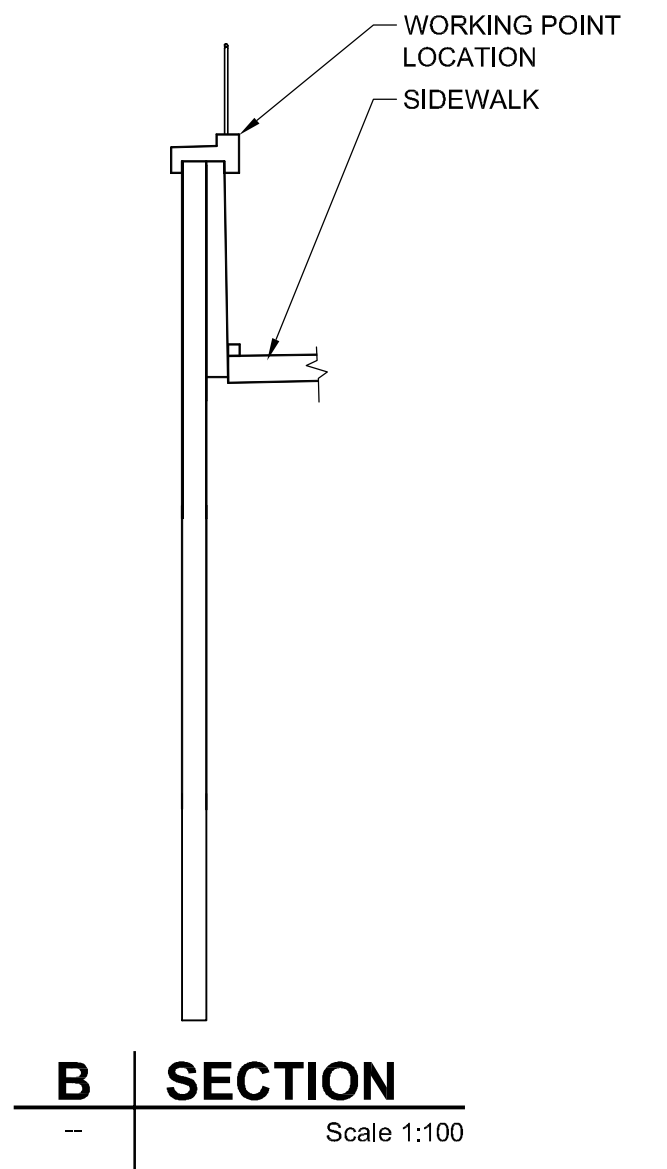
**RETAINING WALL PLAN**  
Scale 1:100



**WALL CORNER DETAIL**  
Scale 1:20



**RETAINING WALL ELEVATION**  
Scale 1:100



**CHAIN LINK FENCE**

- CHAIN LINK FENCE MATERIAL SHALL BE HOT DIPPED GALVANIZED TO CSA G164.
- ALL POST AND RAIL SHALL BE STANDARD PIPE CONFORMING TO ASTM A53.

BID OPPORTUNITY NO. 712-2013

WORKING POINT COORDINATES		
C.S.R.S. (NAD83) U.T.M. GRID		
WP	NORTHING	EASTING
WP4	5527973.526	641794.878
WP5	5527973.792	641805.091
WP6	5528006.483	641811.698
WP7	5528006.102	641797.063



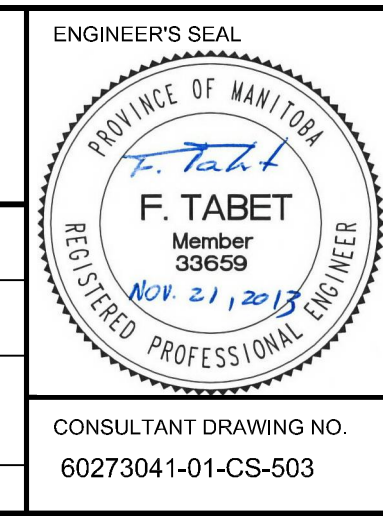
**LOCATION APPROVED UNDERGROUND STRUCTURES**

SUPV. U/G STRUCTURES COMMITTEE DATE

NOTE:  
LOCATION OF UNDERGROUND STRUCTURES AS SHOWN ARE BASED ON THE BEST INFORMATION AVAILABLE, BUT NO GUARANTEE IS GIVEN THAT ALL EXISTING UTILITIES ARE SHOWN OR THAT THE GIVEN LOCATIONS ARE EXACT. CONFIRMATION OF EXISTENCE AND EXACT LOCATION OF ALL SERVICES MUST BE OBTAINED FROM THE INDIVIDUAL UTILITIES BEFORE PROCEEDING WITH CONSTRUCTION.

B.M. ELEV.	NO.	ISSUED FOR TENDER	DATE	BY
	0	ISSUED FOR TENDER	2013/11/21	KC
		REVISIONS		

<b>AECOM</b>	
DESIGNED BY: FT	CHECKED BY: ZS
DRAWN BY: KC	APPROVED BY: EBL
HOR. SCALE: AS NOTED	RELEASED FOR CONSTRUCTION BY:
VERTICAL: AS NOTED	DATE: 2013-06-04



**THE CITY OF WINNIPEG PUBLIC WORKS DEPARTMENT**

PLESSIS ROAD TWINNING AND GRADE SEPARATION AT CN REDDITT SUBDIVISION CONTRACT 3

UPPER WEST RETAINING WALL

CITY DRAWING NUMBER: U238-2014-2025  
SHEET 25 OF 37

CONSULTANT DRAWING NO. 60273041-01-CS-503

**CS-0025**