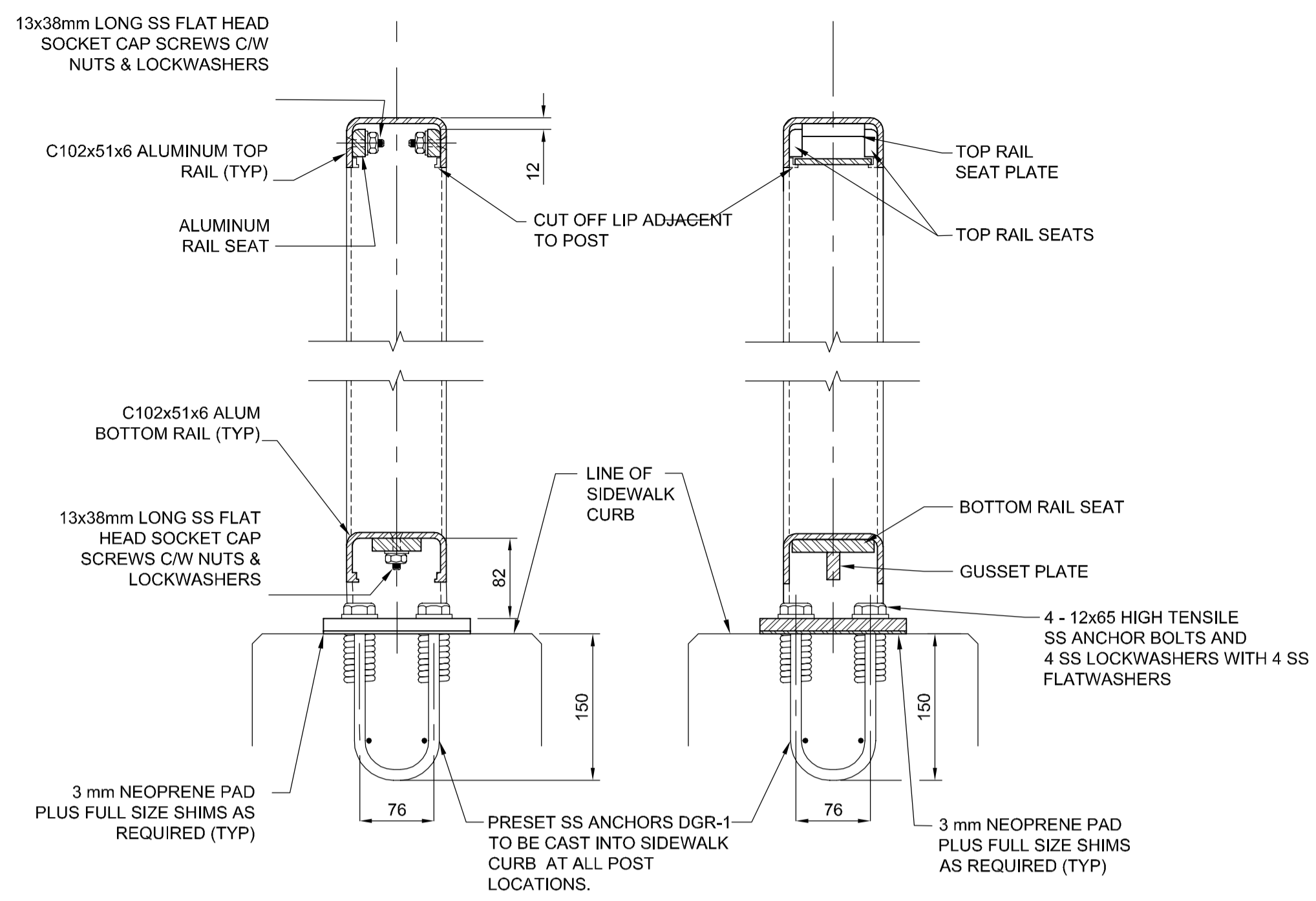
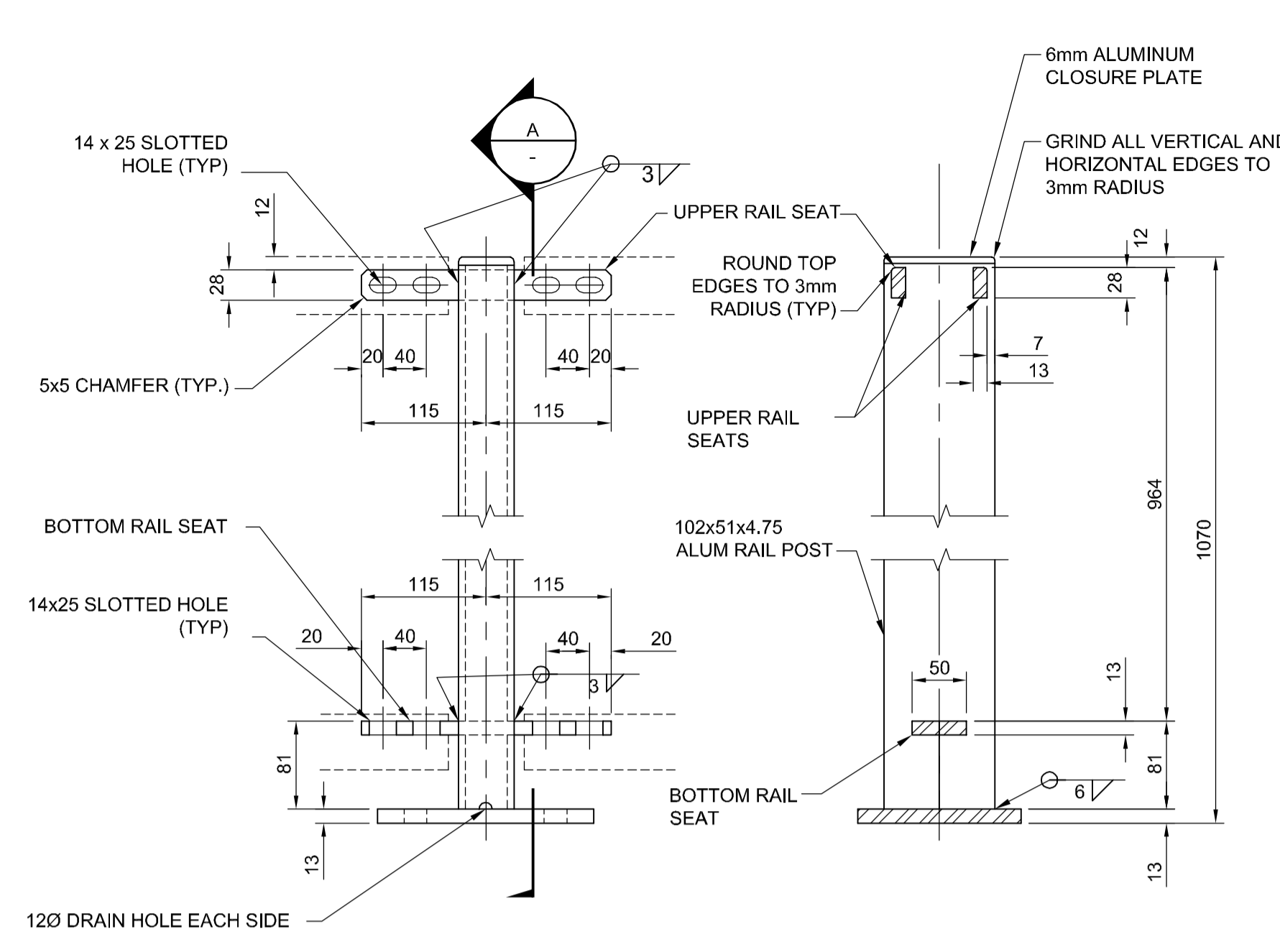


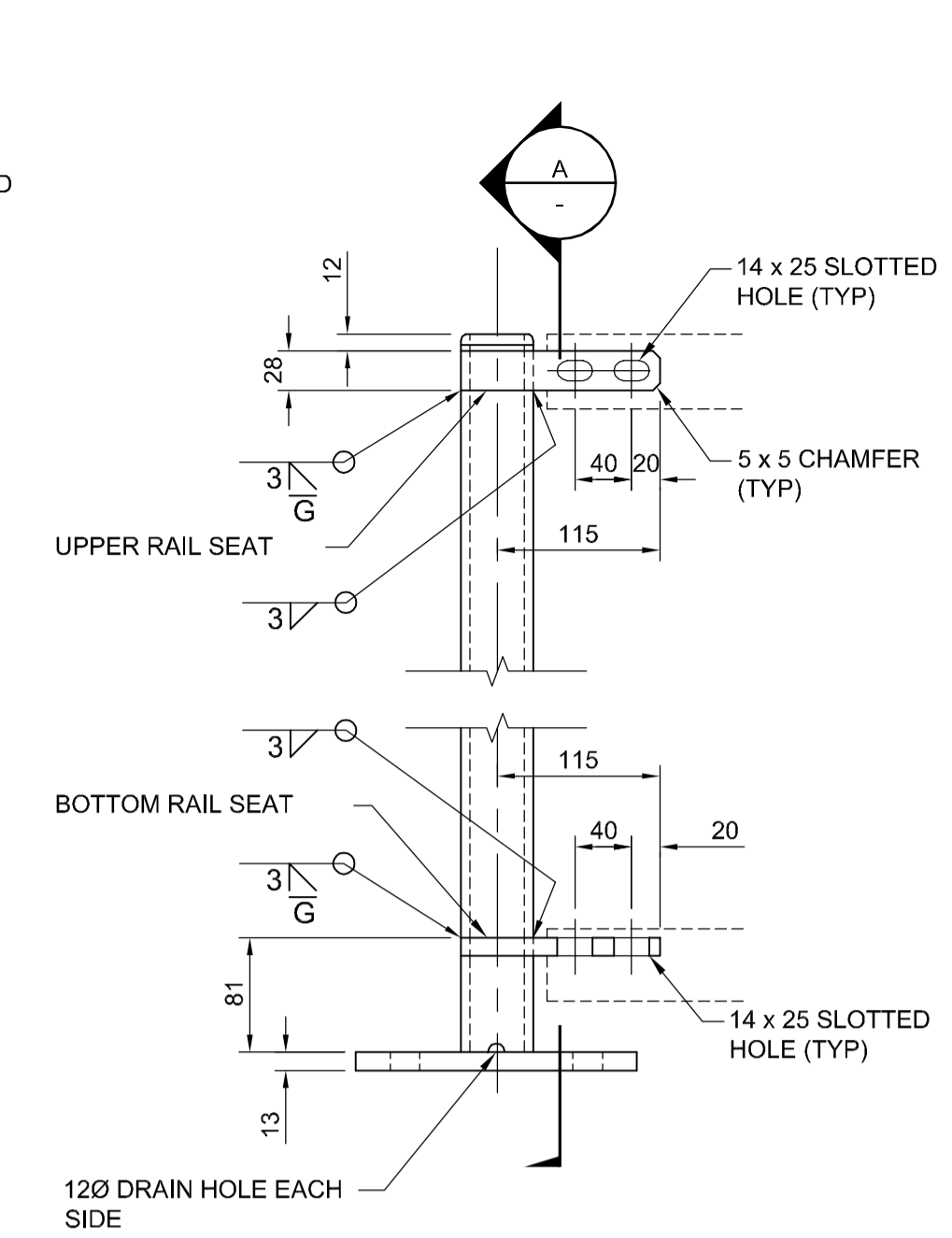
A1 - 841694
2013-11-21
J:\COMMON_DEFAULT.CIB



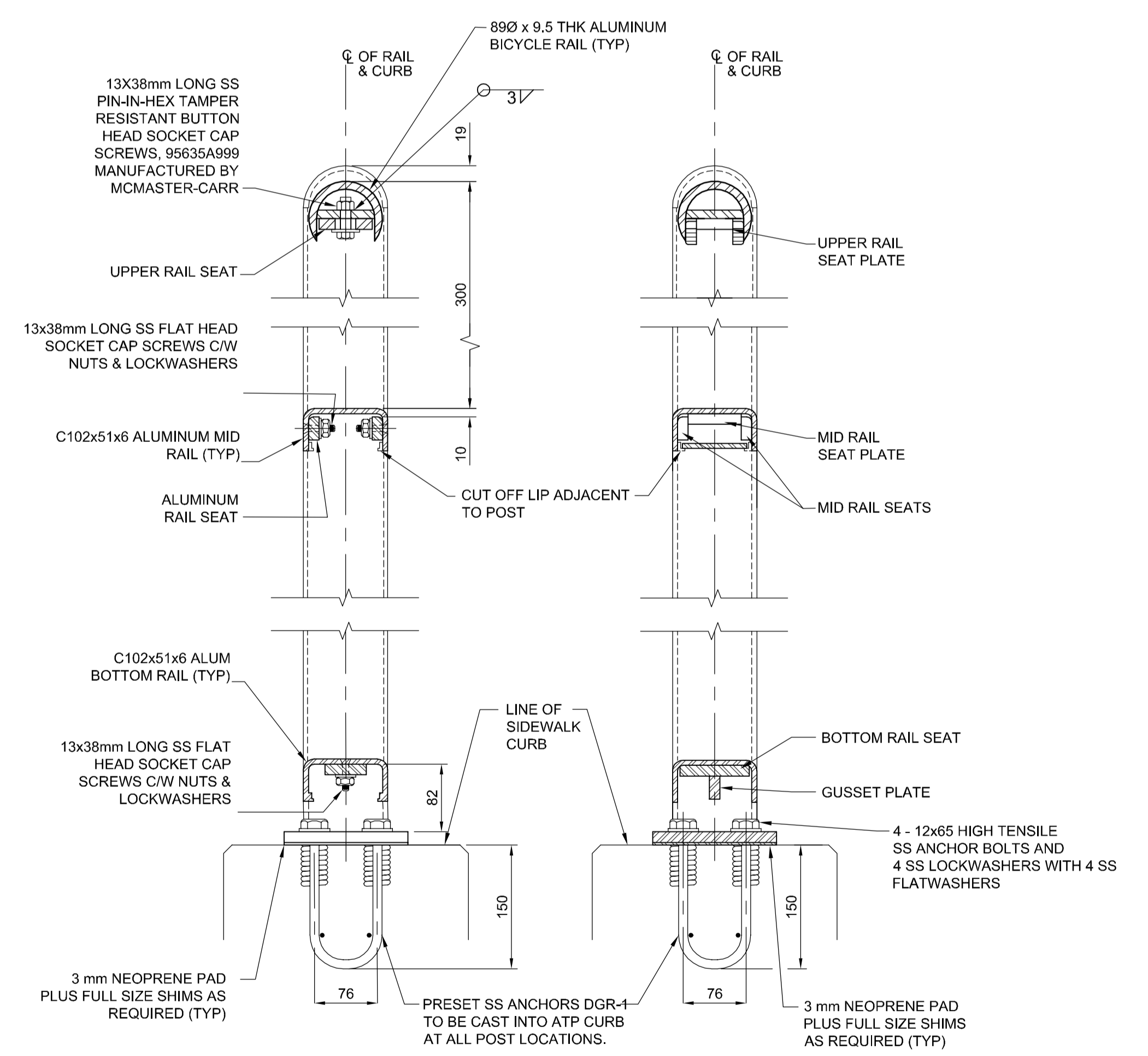
TYPICAL SIDEWALK SECTION AT FIXED END Scale 1:5
TYPICAL SIDEWALK SECTION AT EXPANSION END Scale 1:5



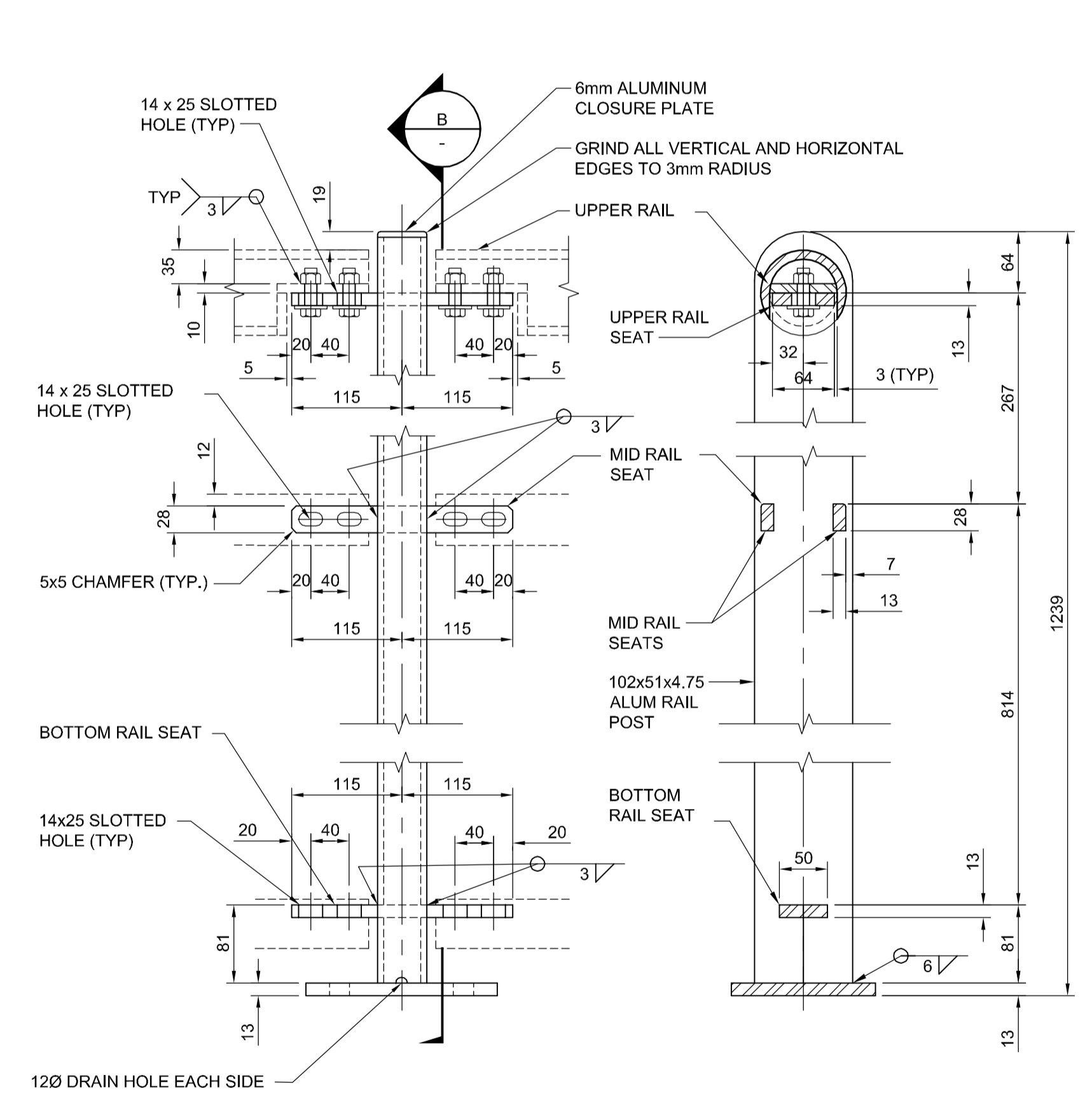
INTERMEDIATE POST FOR PANEL 'A' Scale 1:5
A SECTION Scale 1:5



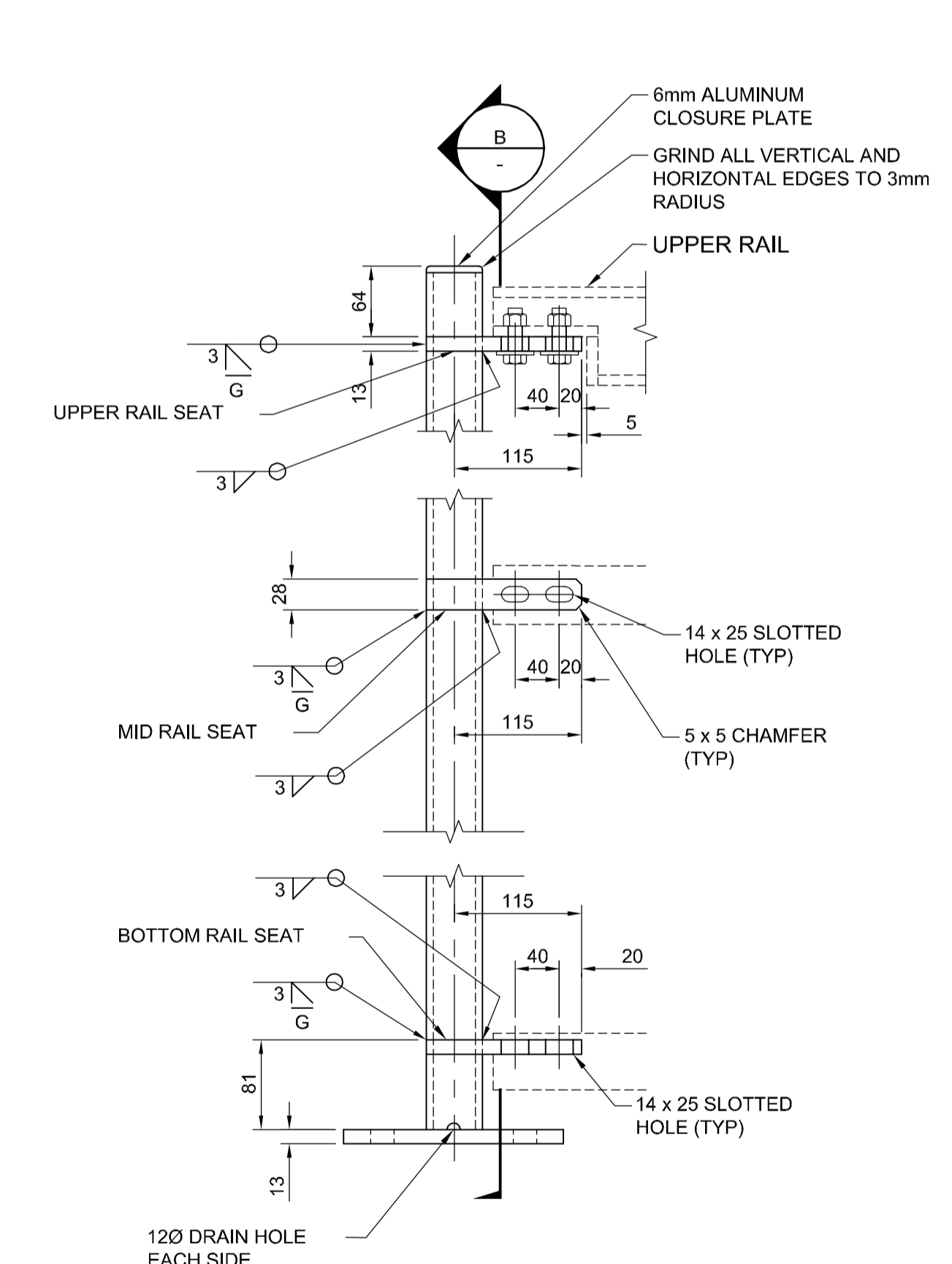
END POST FOR PANEL 'B' Scale 1:5



TYPICAL ATP SECTION AT FIXED END Scale 1:5
TYPICAL ATP SECTION AT EXPANSION END Scale 1:5



INTERMEDIATE POST FOR PANEL 'D' & 'E' Scale 1:5
B SECTION Scale 1:5



END POST FOR PANEL 'E' Scale 1:5

LOCATION APPROVED UNDERGROUND STRUCTURES SUPV. U/G STRUCTURES COMMITTEE DATE		B.M. ELEV.				ENGINEER'S SEAL 			
NOTE: LOCATION OF UNDERGROUND STRUCTURES AS SHOWN ARE BASED ON THE BEST INFORMATION AVAILABLE, BUT NO GUARANTEE IS GIVEN THAT ALL EXISTING UTILITIES ARE SHOWN OR THAT THE GIVEN LOCATIONS ARE EXACT CONFIRMATION OF EXISTENCE AND EXACT LOCATION OF ALL SERVICES MUST BE OBTAINED FROM THE INDIVIDUAL UTILITIES BEFORE PROCEEDING WITH CONSTRUCTION.		0 ISSUED FOR TENDER 2013/11/21 KC NO. REVISIONS DATE BY		DESIGNED BY FT CHECKED BY EBL DRAWN BY DJH APPROVED BY EBL HOR. SCALE: AS NOTED VERTICAL: AS NOTED RELEASED FOR CONSTRUCTION BY:		CONSULTANT DRAWING NO. 60273041-01-CS-607		THE CITY OF WINNIPEG PUBLIC WORKS DEPARTMENT PLESSIS ROAD TWINNING AND GRADE SEPARATION AT CN REDDITT SUBDIVISION CONTRACT 3 CITY DRAWING NUMBER U238-2014-2036 SHEET 36 OF 37	
 Certificate of Authorization AECOM Canada Ltd. No. 4671 Date: 2013/11/21				DATE 2013-06-04				PEDESTRIAN AND BICYCLE HANDRAIL DETAILS SHEET 2 CS-0036	

BID OPPORTUNITY NO. 712-2013