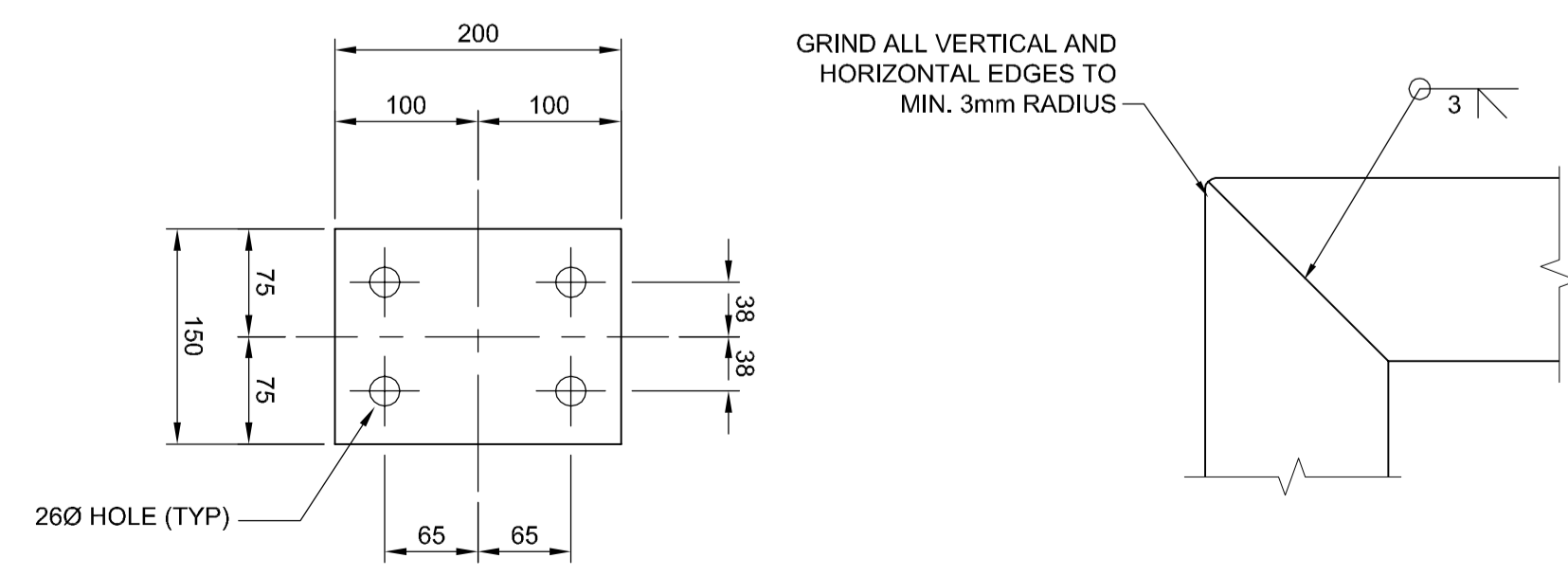
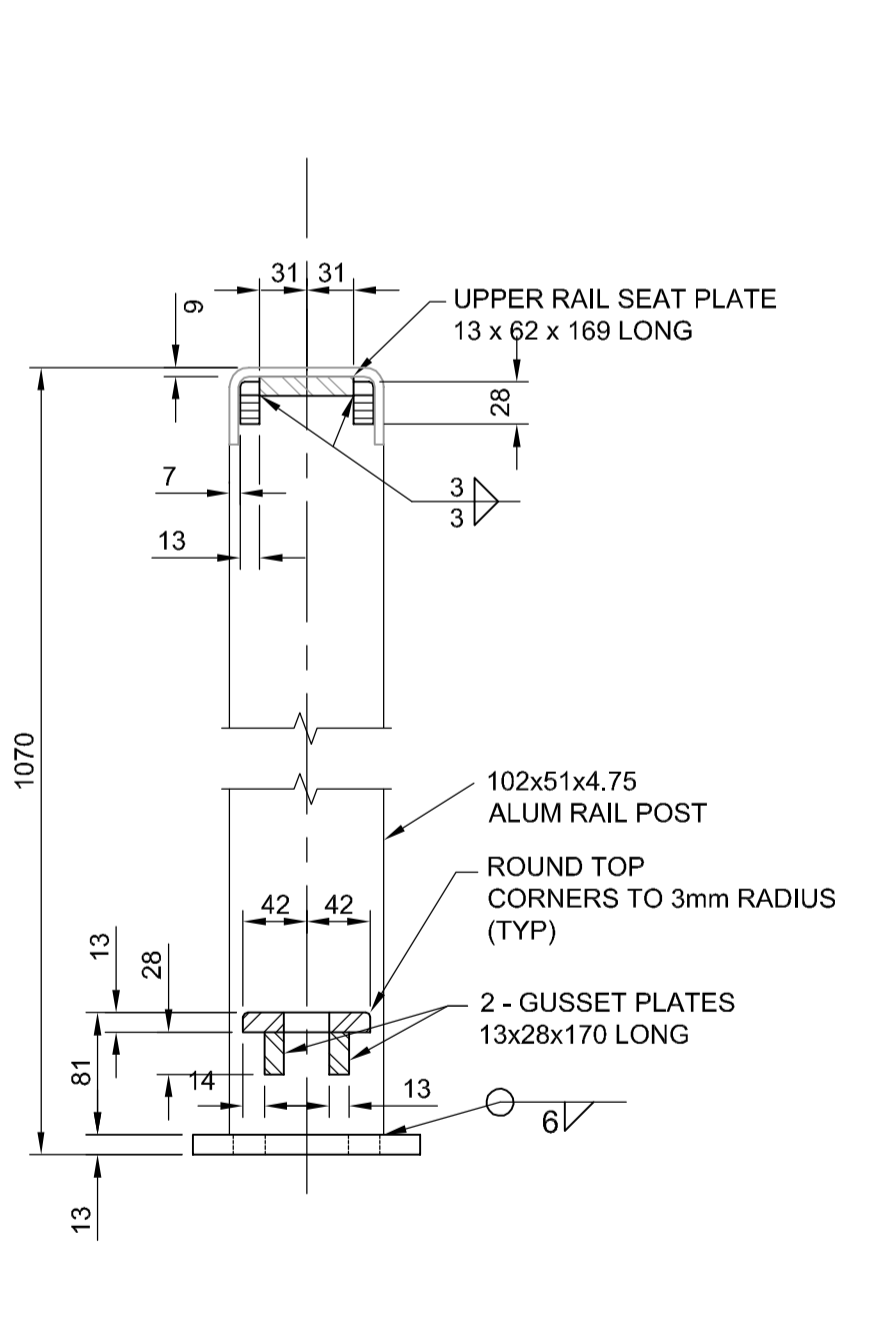
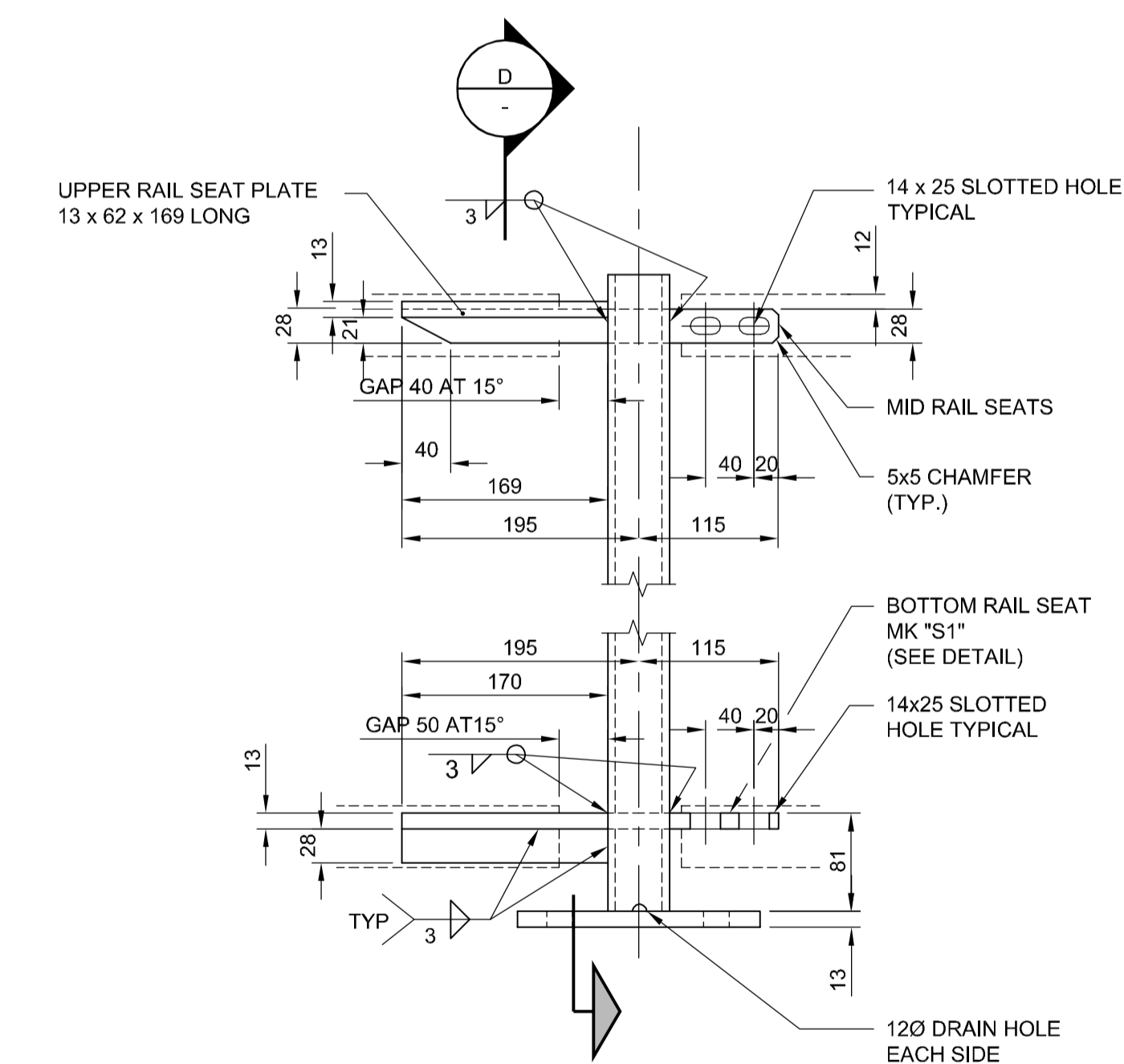
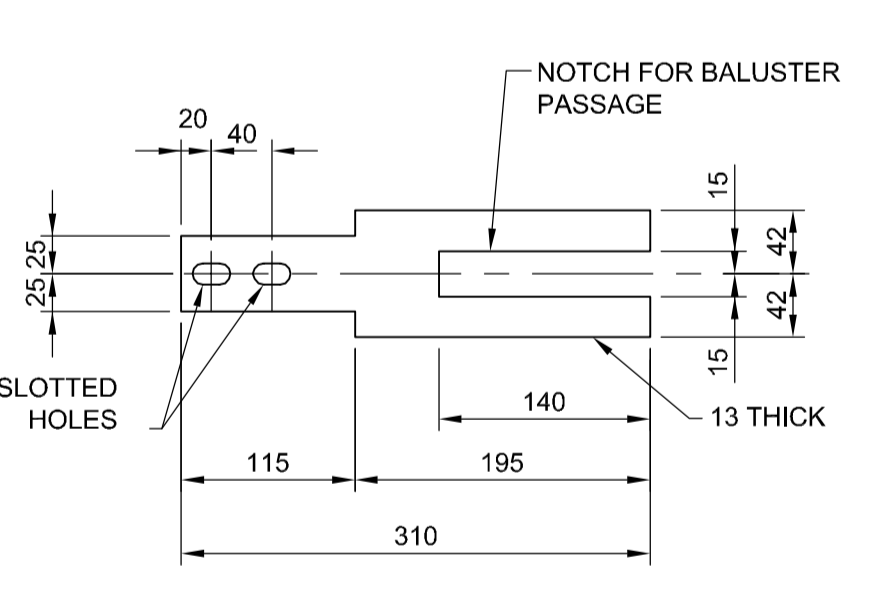
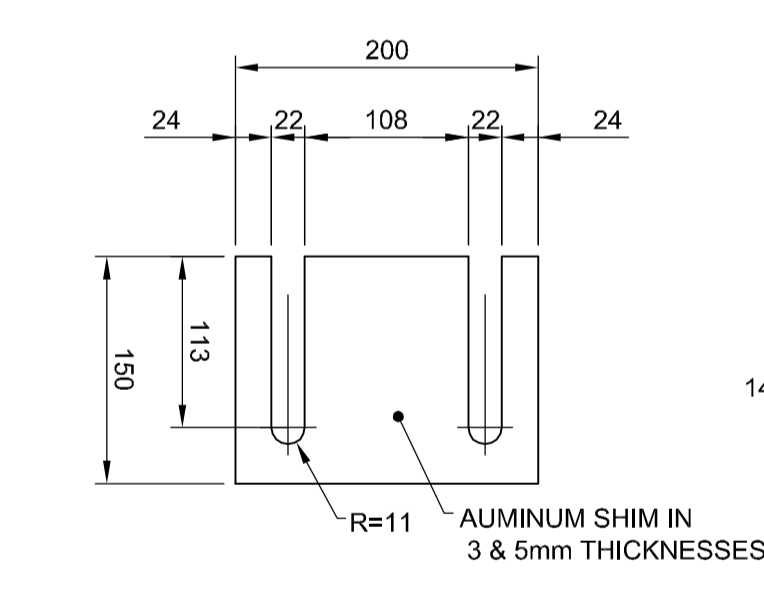
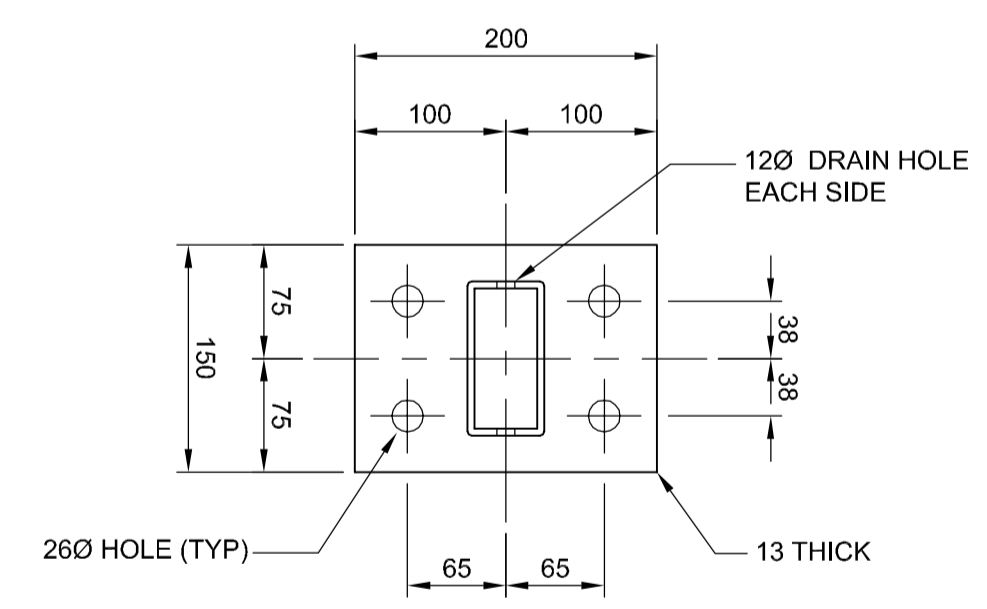


NOTE:  
TYPICAL FOR BOTH ENDS  
OF ALL PANELS



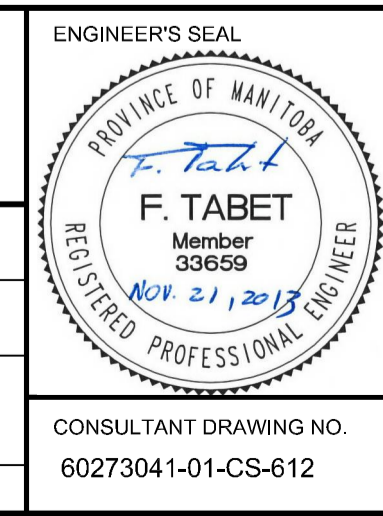
LOCATION APPROVED UNDERGROUND STRUCTURES

SUPV. U/G STRUCTURES COMMITTEE DATE

NOTE:  
LOCATION OF UNDERGROUND STRUCTURES AS SHOWN ARE BASED ON THE BEST INFORMATION AVAILABLE, BUT NO GUARANTEE IS GIVEN THAT ALL EXISTING UTILITIES ARE SHOWN OR THAT THE GIVEN LOCATIONS ARE EXACT. CONFIRMATION OF EXISTENCE AND EXACT LOCATION OF ALL SERVICES MUST BE OBTAINED FROM THE INDIVIDUAL UTILITIES BEFORE PROCEEDING WITH CONSTRUCTION.

NO.	REVISIONS	DATE	BY
0	ISSUED FOR TENDER	2013/11/21	KC

<b>AECOM</b>		ENGINEER'S SEAL	
DESIGNED BY	FT	CHECKED BY	EBL
DRAWN BY	KC	APPROVED BY	EBL
HOR. SCALE:	AS NOTED	RELEASED FOR CONSTRUCTION BY:	
VERTICAL:	AS NOTED		
DATE	2013-06-04	DATE	



**THE CITY OF WINNIPEG PUBLIC WORKS DEPARTMENT**

PLESSIS ROAD TWINNING AND GRADE SEPARATION AT CN REDDITT SUBDIVISION CONTRACT 3

PEDESTRIAN AND BICYCLE HANDRAIL DETAILS SHEET 3

CITY DRAWING NUMBER U238-2014-2037  
SHEET 37 OF 37

CS-0037