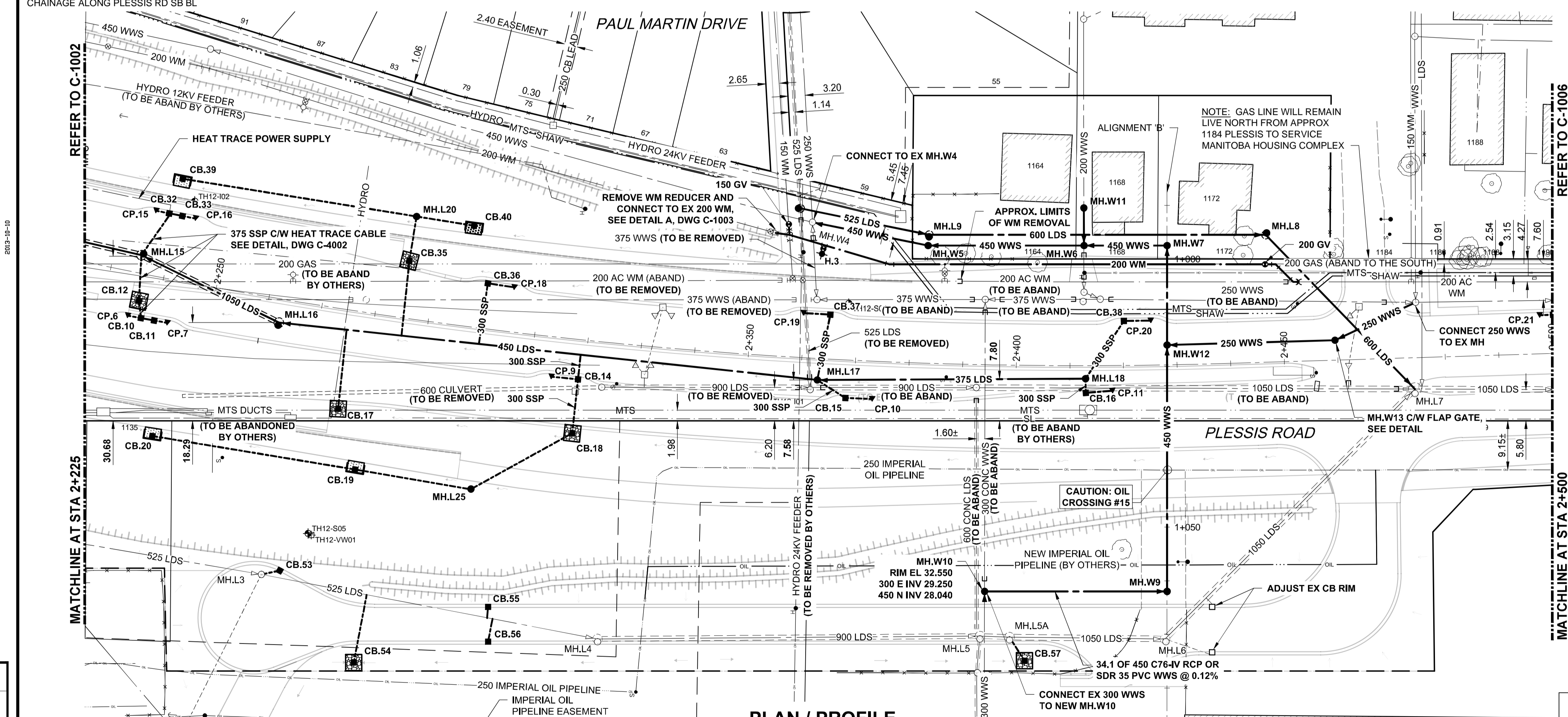
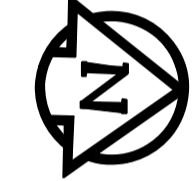
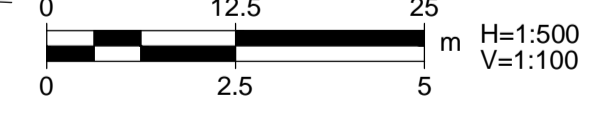


IMPERIAL OIL PIPELINE CROSSINGS			
CROSSING NO.	DESCRIPTION	ELEVATIONS	CLEARANCE
15	250 PIPELINE	28.39 (OBVERT)	1.71

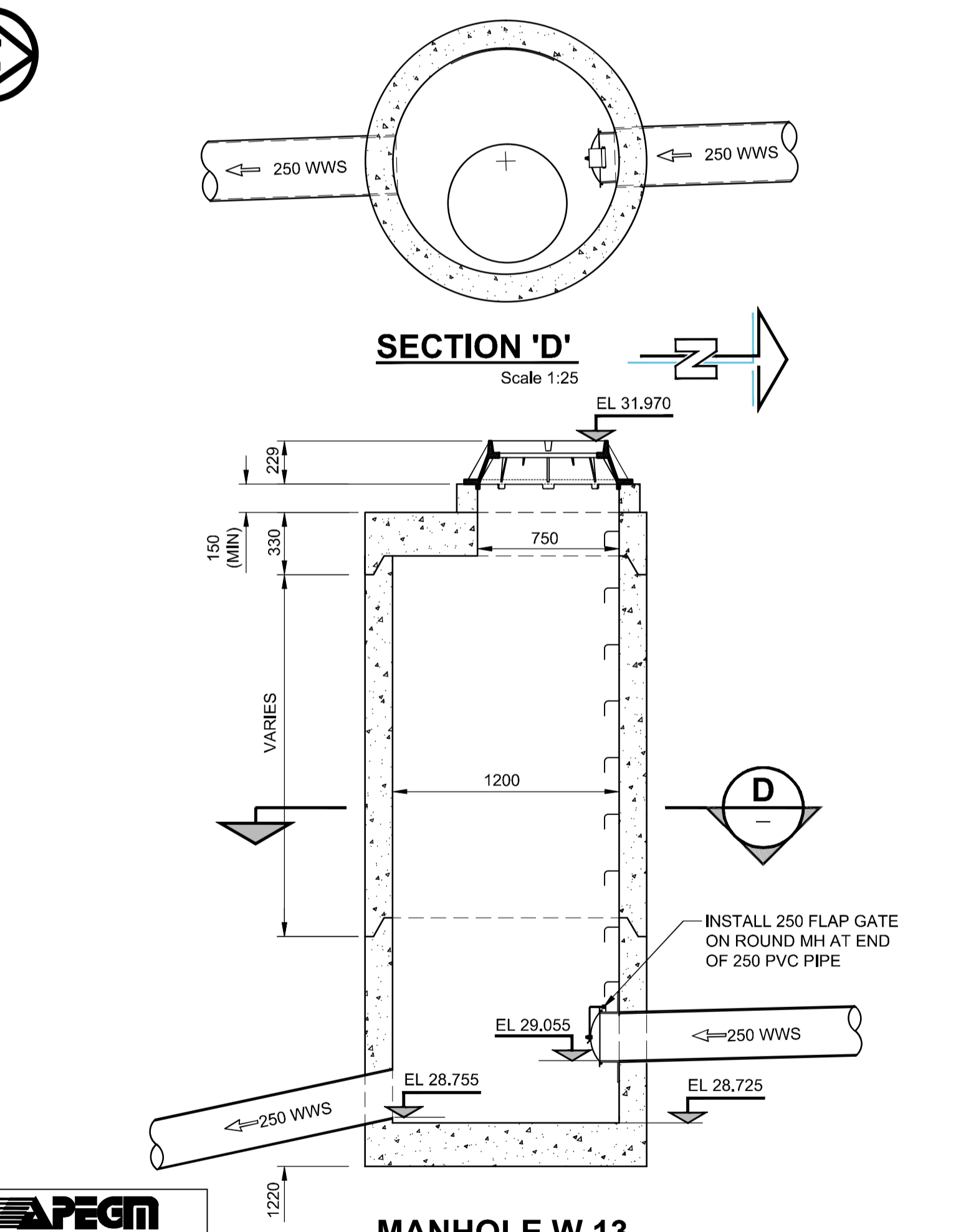


PLAN / PROFILE



FOR FURTHER INFO SEE DWG C-1005

CHAINAGE ALONG ALIGNMENT 'B'



MANHOLE W.13 Scale 1:25

**WARNING**  
 IF POWER EQUIPMENT OR EXPLOSIVES ARE TO BE USED FOR EXCAVATION ON THIS PROJECT, THE CONTRACTOR MUST:  
 1) NOTIFY THE GAS COMPANY OF THE PROPOSED LOCATION OF EXCAVATION.  
 2) TAKE PRECAUTION TO AVOID DAMAGE TO GAS COMPANY INSTALLATIONS.  
 SEE PROVINCIAL REGULATION 149/92 FOR DETAILS

150 WM		300 LDS		250 WWS		CURB STOP		REDUCER		COUPLING		ANODE		HYDRO		MTS		GAS		TESTHOLE		LAMP STANDARD		TREE	
Symbol	Description	Symbol	Description	Symbol	Description	Symbol	Description	Symbol	Description	Symbol	Description	Symbol	Description	Symbol	Description	Symbol	Description	Symbol	Description	Symbol	Description	Symbol	Description	Symbol	Description
Symbol	Description	Symbol	Description	Symbol	Description	Symbol	Description	Symbol	Description	Symbol	Description	Symbol	Description	Symbol	Description	Symbol	Description	Symbol	Description	Symbol	Description	Symbol	Description	Symbol	Description

LOCATION APPROVED UNDERGROUND STRUCTURES	
SUPV. U/G STRUCTURES COMMITTEE	DATE

B.M. ELEV.			

DESIGNED BY	MPG	CHECKED BY	
DRAWN BY	KMB	APPROVED BY	
HOR. SCALE:	AS NOTED	RELEASED FOR CONSTRUCTION BY:	
VERTICAL:	AS NOTED	DATE	

ENGINEER'S SEAL

**THE CITY OF WINNIPEG PUBLIC WORKS DEPARTMENT**

PLESSIS ROAD TWINNING AND GRADE SEPARATION AT CN REDDITT SUBDIVISION CONTRACT 3

PLESSIS ROAD - WWS & WM  
 195m NORTH OF DUGALD ROAD TO 120m SOUTH OF KERNAGHAN AVENUE

CITY DRAWING NUMBER U238-2014-2304  
 SHEET 04 OF 15

C-1004

**AECOM**  
 Certificate of Authorization  
 AECOM Canada Ltd.  
 No. 4671 Date:  

**METRIC**  
 WHOLE NUMBERS INDICATE MILLIMETRES  
 DECIMALIZED NUMBERS INDICATE METRES

BID OPPORTUNITY NO. 712-2013