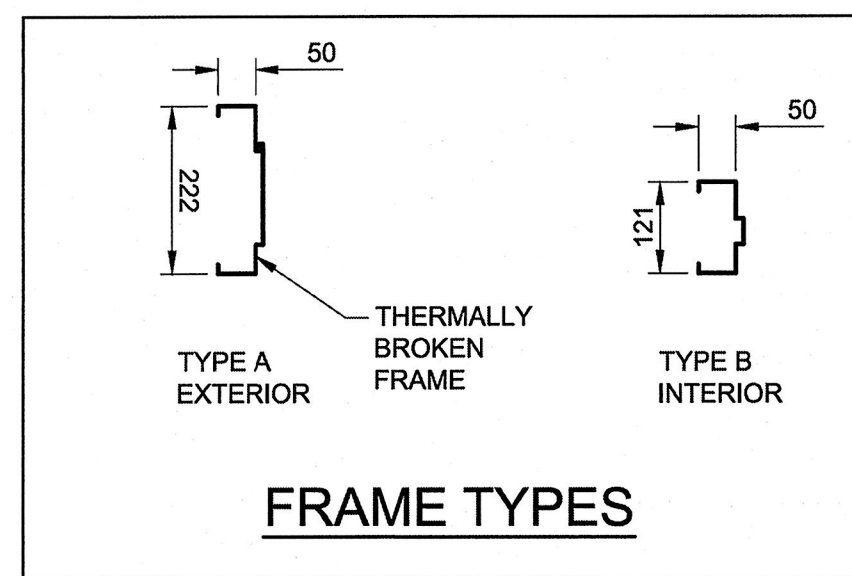
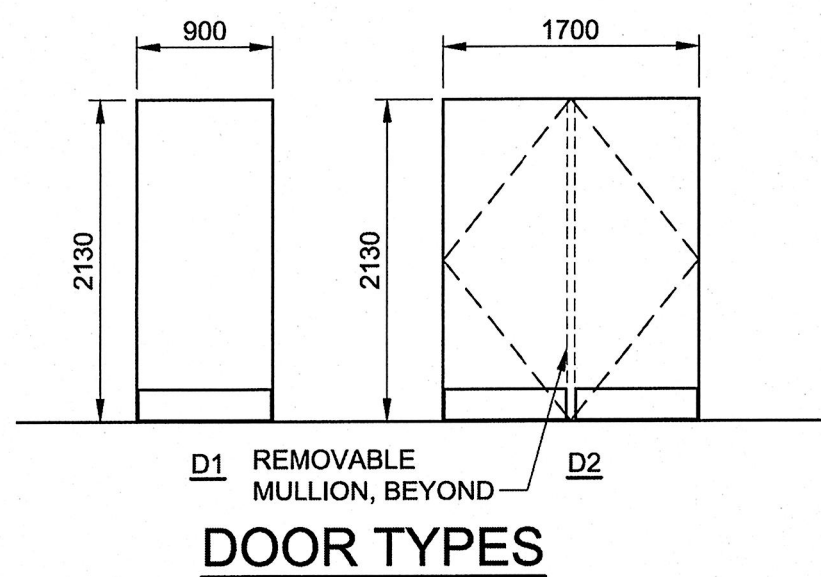


ROOM FINISH SCHEDULE														
ROOM NAME	FLOOR			WALLS								CEILING		REMARKS
	MAT.	FINISH	BASE	NORTH		EAST		SOUTH		WEST		MAT.	FINISH	
101 - CONTROL ROOM	CONC.			CMU	PT	CMU	PT	CMU	PT	CMU	PT	LP	PRE-FIN	
102 - GENERATOR ROOM	CONC.			CMU	PT	CMU	PT	CMU	PT	CMU	PT	LP	PRE-FIN	

CMU = CONCRETE MASONRY UNIT    CONC = CONCRETE    PT = PAINT    LP = LINER PANEL

DOOR SCHEDULE														
DOOR NUMBER	DOOR				FRAME									REMARKS
	DOOR TYPE	WIDTH	HEIGHT	THICKNESS	MATERIAL	FINISH	REINFORCEMENT	LOUVER	GLASS	FRAME TYPE	DETAIL	MATERIAL	FINISH	
D101	D2	2-900	2130	45	METAL	PT				A		METAL	PT	INSULATED
D102	D1	900	2130	45	METAL	PT				B		METAL	PT	45 MIN.

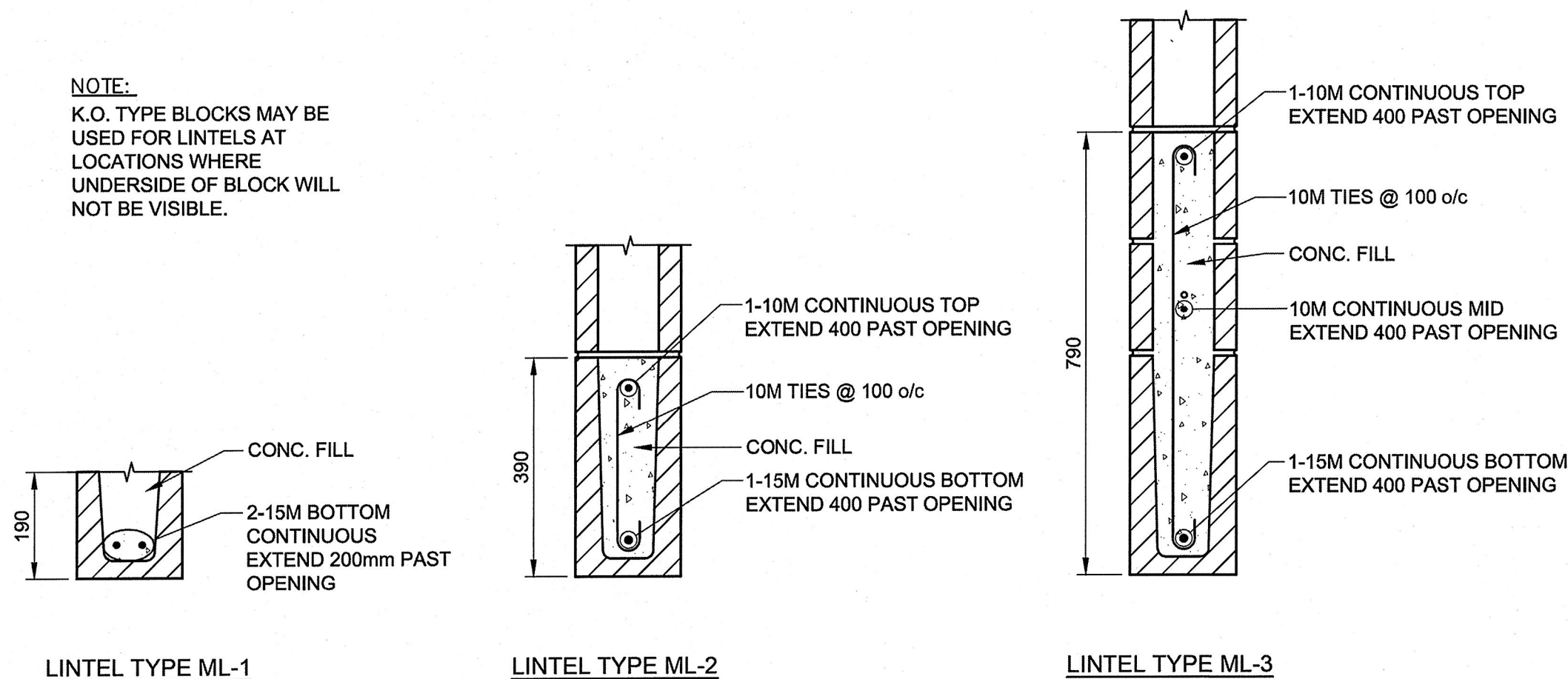


MASONRY WALL SCHEDULE				
MARK	SIZE	REINFORCING	TYPE	REMARKS
MW-1	190	15M @ 1000 o/c	NORMAL	GROUT CORES TO MATCH REINFORCING

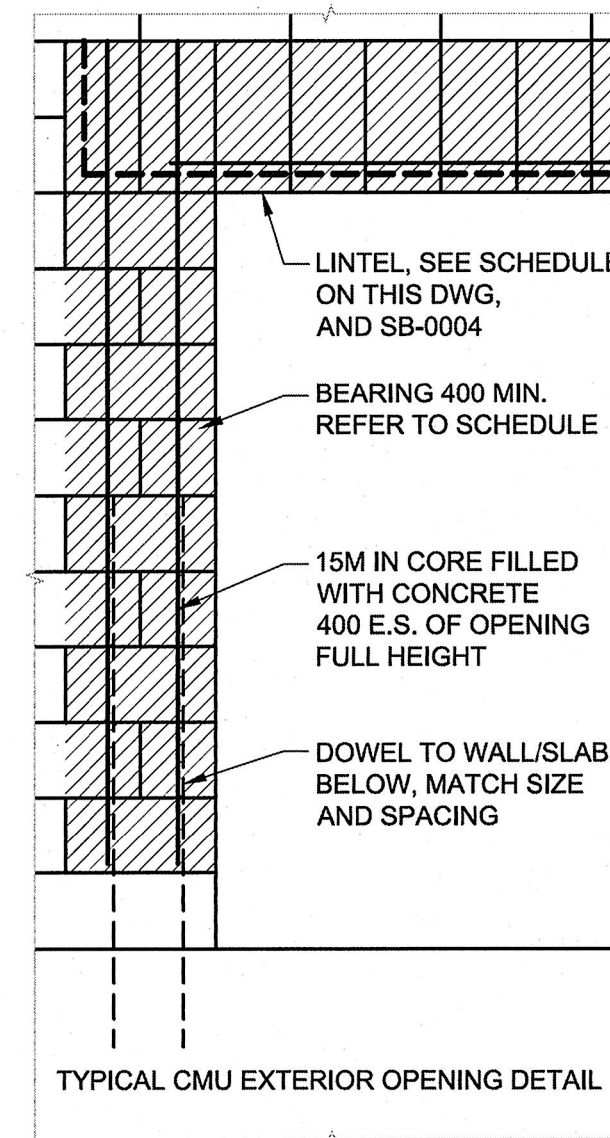
- NOTES:
- DOWEL TO CONCRETE SUPERSTRUCTURE c/w LAP LENGTH = 1000mm
  - LAP LENGTH WITHIN WALL = 1000mm
  - PROVIDE JOINT REINFORCING EVERY SECOND COURSE.

MASONRY LINTEL SCHEDULE					
MARK	SIZE	TYPE	REINFORCING BAR DETAILS		REMARKS
			HORIZONTAL	TIES	
ML-1	190x190	NORMAL	2-15M BOT	-	200mm BEARING E.S., FULLY GROUTED CORES
ML-2	390x190	NORMAL	1-15M BOT, 1-10M TOP	10M @ 100 o/c	400mm BEARING E.S., FULLY GROUTED CORES
ML-3	790x190	NORMAL	1-15M BOT, 1-10M TOP, 1-10M MID	10M @ 100 o/c	400mm BEARING E.S., FULLY GROUTED CORES

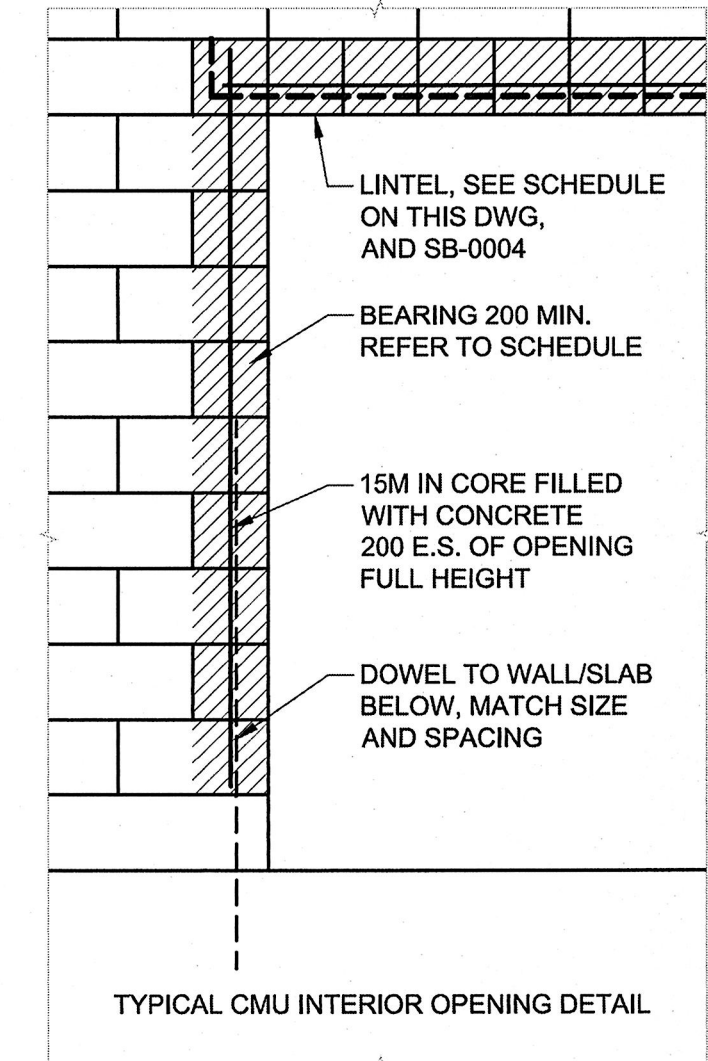
- NOTES:
- DOWEL TO CONCRETE SUPERSTRUCTURE c/w LAP LENGTH = 1000mm
  - LAP LENGTH WITHIN CORES = 1000mm
- REFER TO DWG. SB-0004 FOR LINTEL LOCATIONS



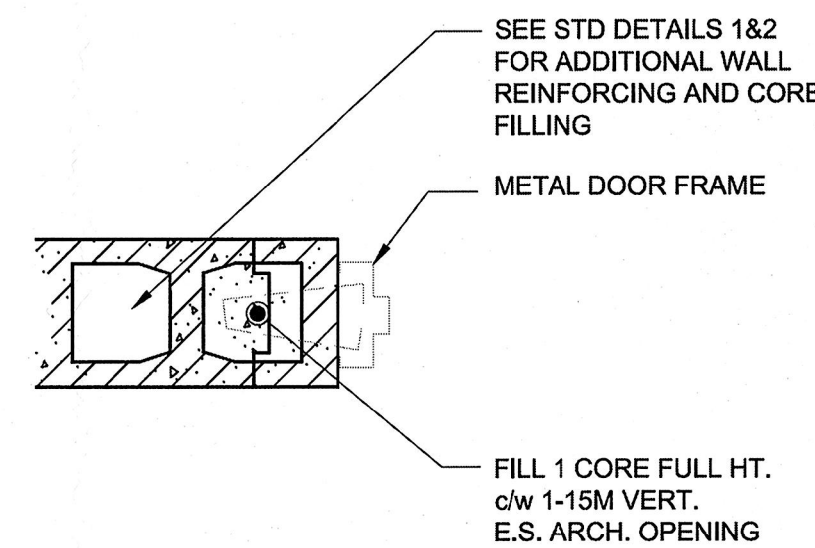
**MASONRY LINTEL DETAILS**  
1:10



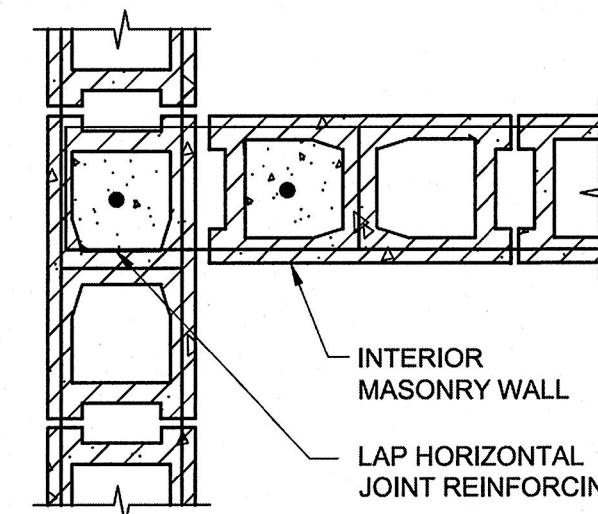
**1 | STD DETAIL**  
STD    NTS



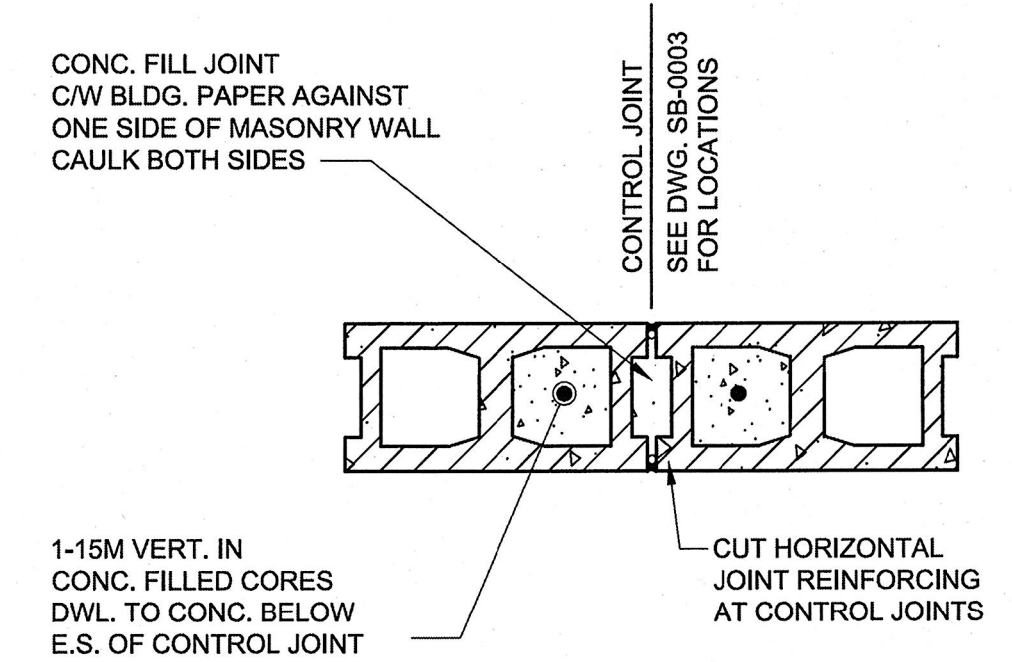
**2 | STD DETAIL**  
STD    NTS



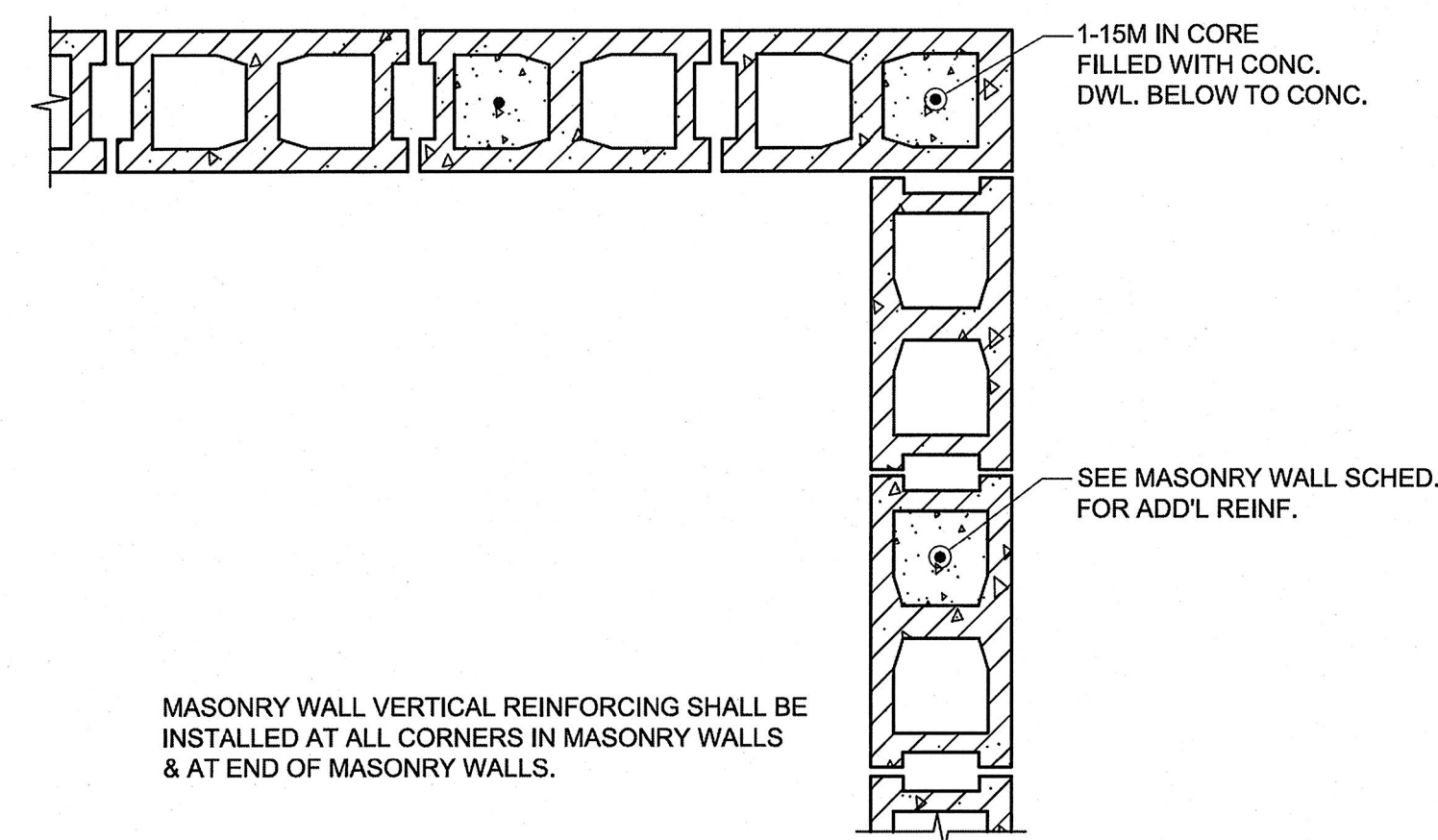
**3 | STD DETAIL**  
STD    NTS



**4 | STD DETAIL**  
STD    NTS



**5 | STD DETAIL**  
STD    NTS



**6 | STD DETAIL**  
STD    NTS

**LOCATION APPROVED UNDERGROUND STRUCTURES**

NOTE:  
LOCATION OF UNDERGROUND STRUCTURES AS SHOWN ARE BASED ON THE BEST INFORMATION AVAILABLE, BUT NO GUARANTEE IS GIVEN THAT ALL EXISTING UTILITIES ARE SHOWN OR THAT THE GIVEN LOCATIONS ARE EXACT. CONFIRMATION OF EXISTENCE AND EXACT LOCATION OF ALL SERVICES MUST BE OBTAINED FROM THE INDIVIDUAL UTILITIES BEFORE PROCEEDING WITH CONSTRUCTION.

NO.	ISSUED FOR TENDER	13/10/15	KK
0	ISSUED FOR TENDER	13/10/15	KK
	REVISIONS	DATE	BY

<b>AECOM</b>	
DESIGNED BY: KK	CHECKED BY: <i>[Signature]</i>
DRAWN BY: KK	APPROVED BY: <i>[Signature]</i>
HOR. SCALE: AS NOTED	RELEASED FOR CONSTRUCTION BY: <i>[Signature]</i>
VERTICAL: AS NOTED	DATE: 2013-07-12

ENGINEER'S SEAL  
PROVINCE OF MANITOBA  
**S.B. BISWANGER**  
REGISTERED PROFESSIONAL ENGINEER  
CONSULTANT DRAWING NO. SB-2322 SCHEDULES.DWG

**THE CITY OF WINNIPEG PUBLIC WORKS DEPARTMENT**

PLESSIS ROAD TWINNING AND GRADE SEPARATION AT CN REDDITT SUBDIVISION CONTRACT 3

STRUCTURAL SUPERSTRUCTURE SCHEDULES AND MASONRY STANDARD DETAILS

CITY DRAWING NUMBER U238-2014-2322  
SHEET 02 OF 08  
**SB-0002**

**AECOM**  
Certificate of Authorization  
AECOM Canada Ltd.  
No. 4671 Date: *[Signature]*

BID OPPORTUNITY NO. 712-2013