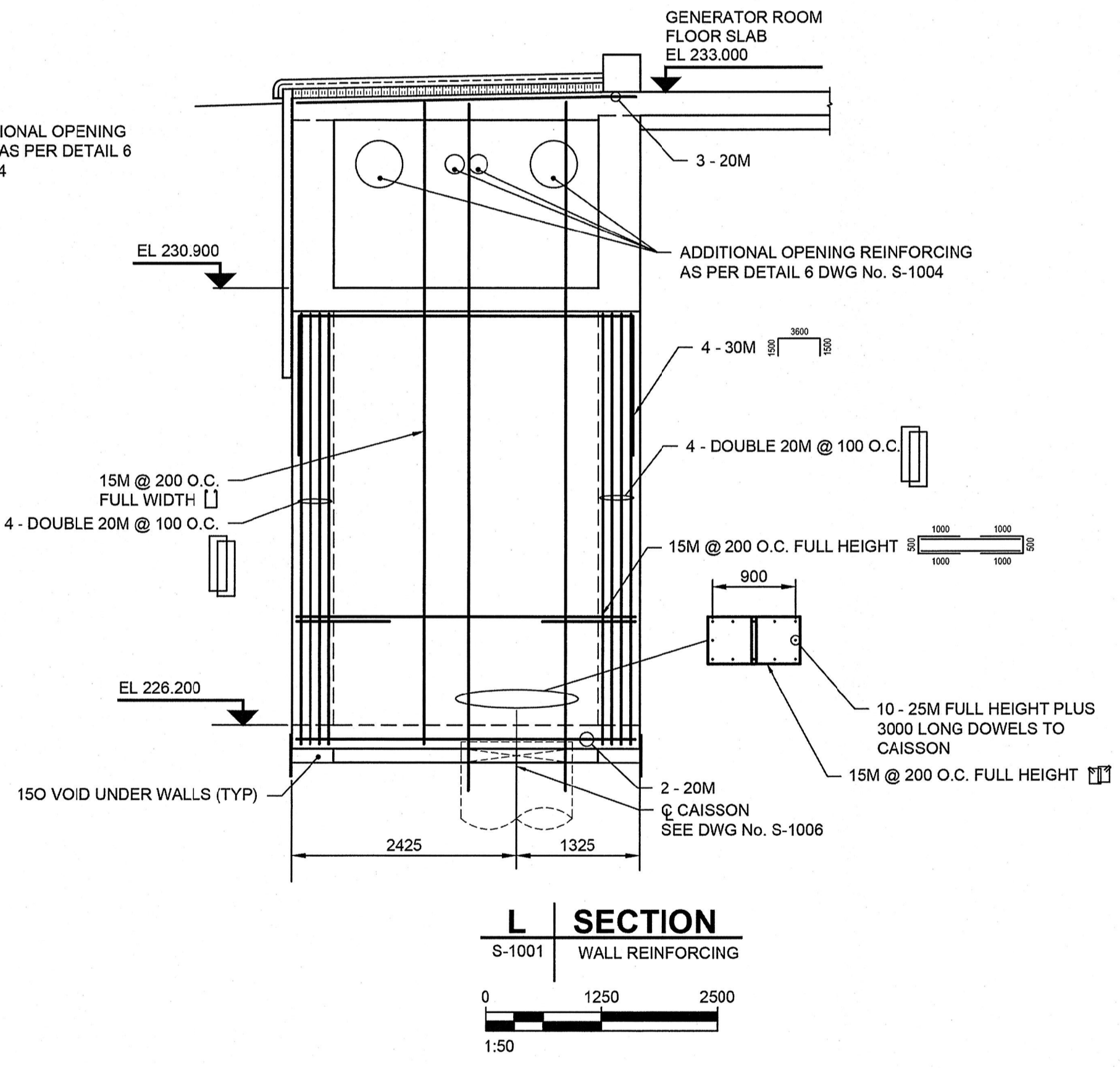
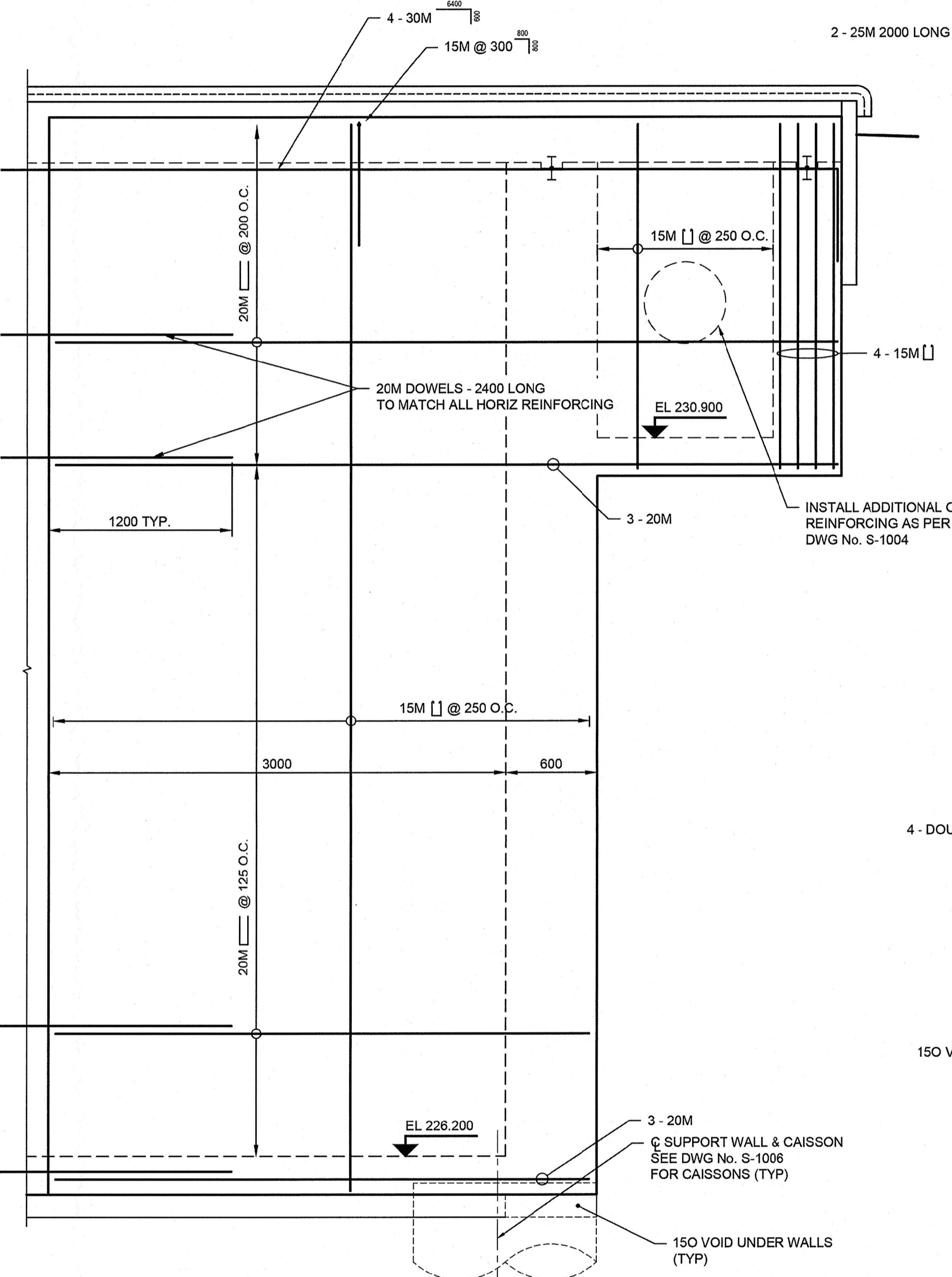
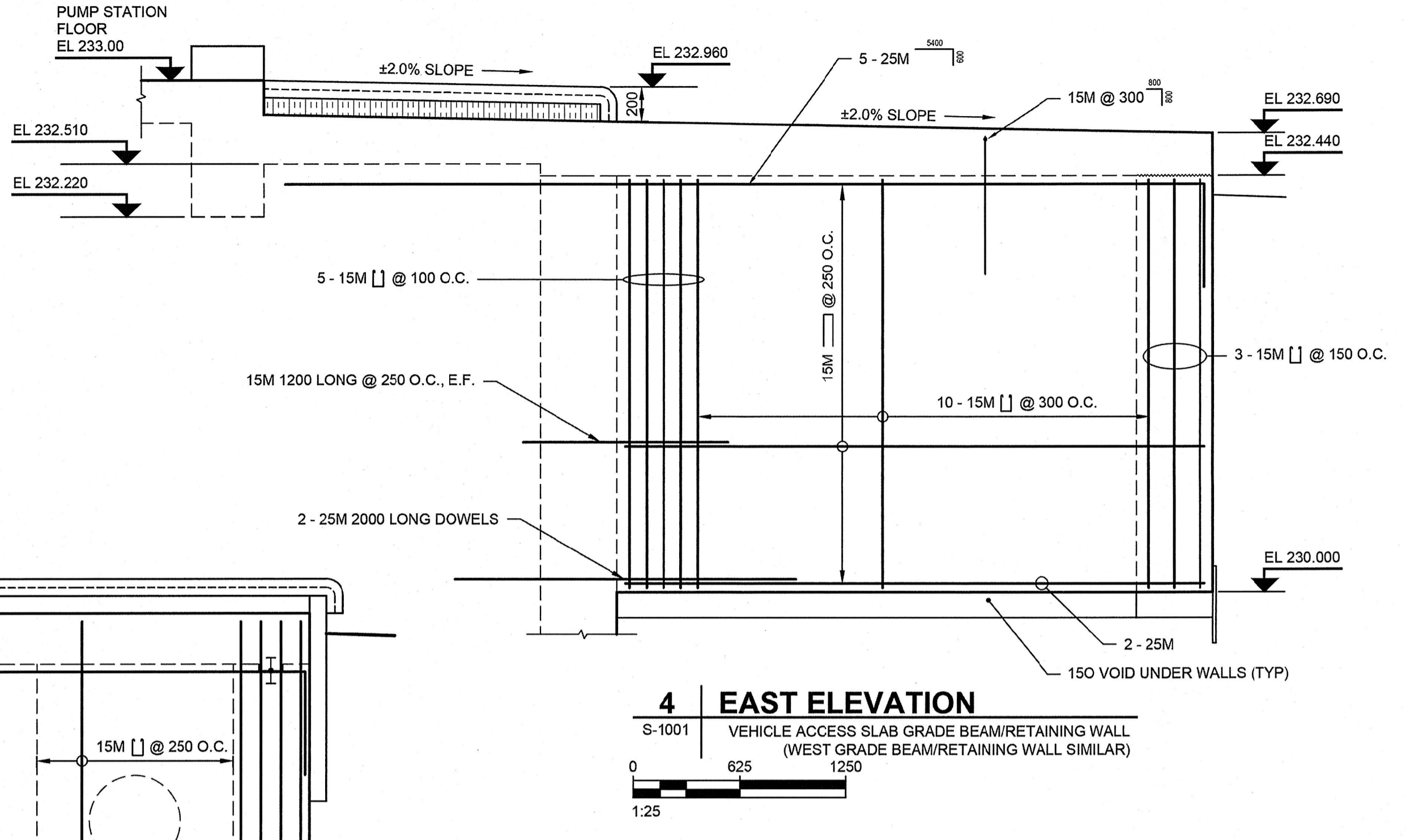
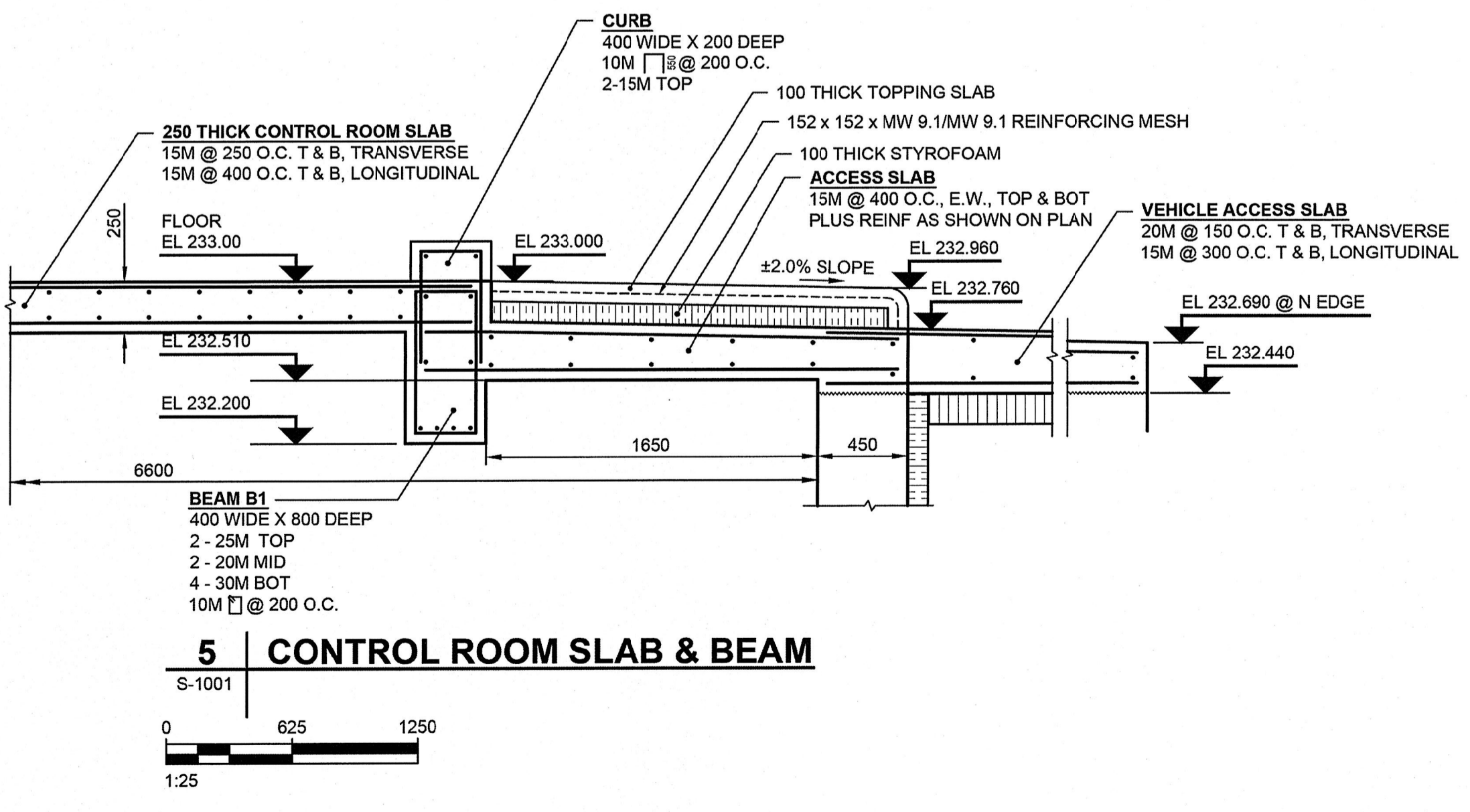
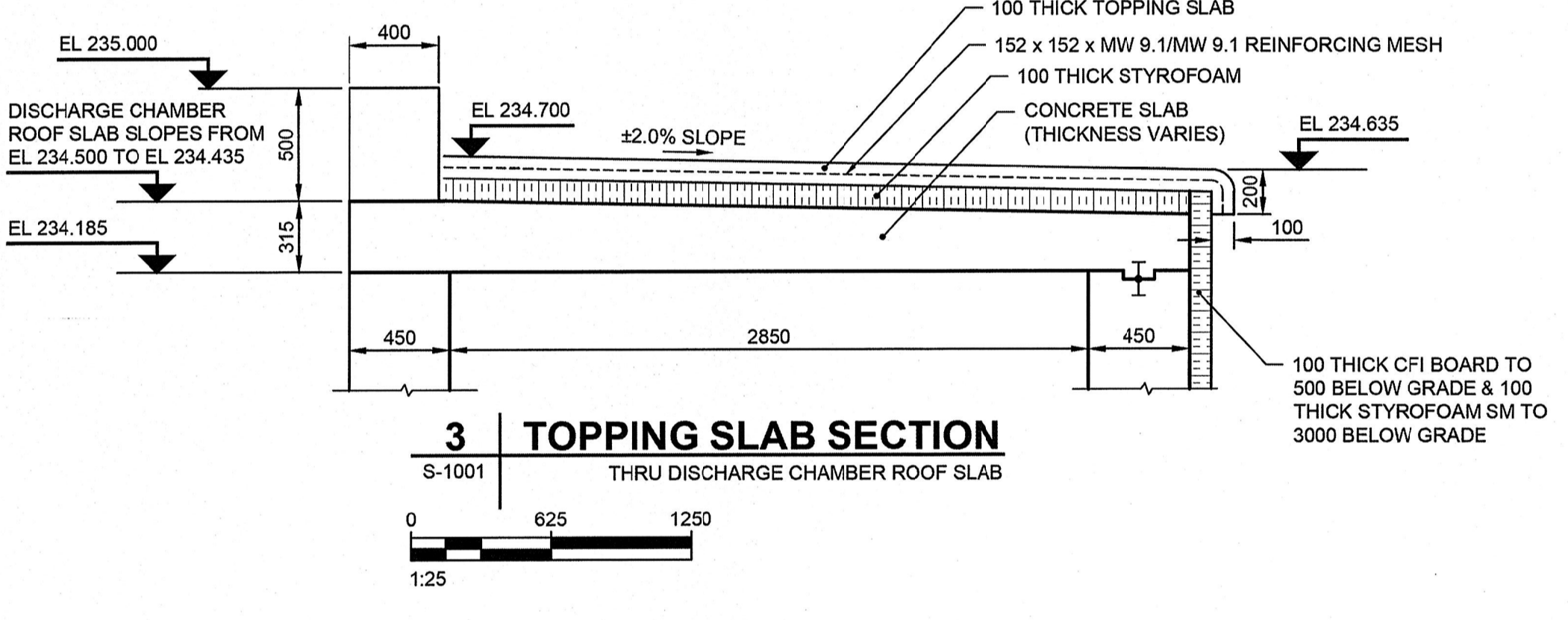
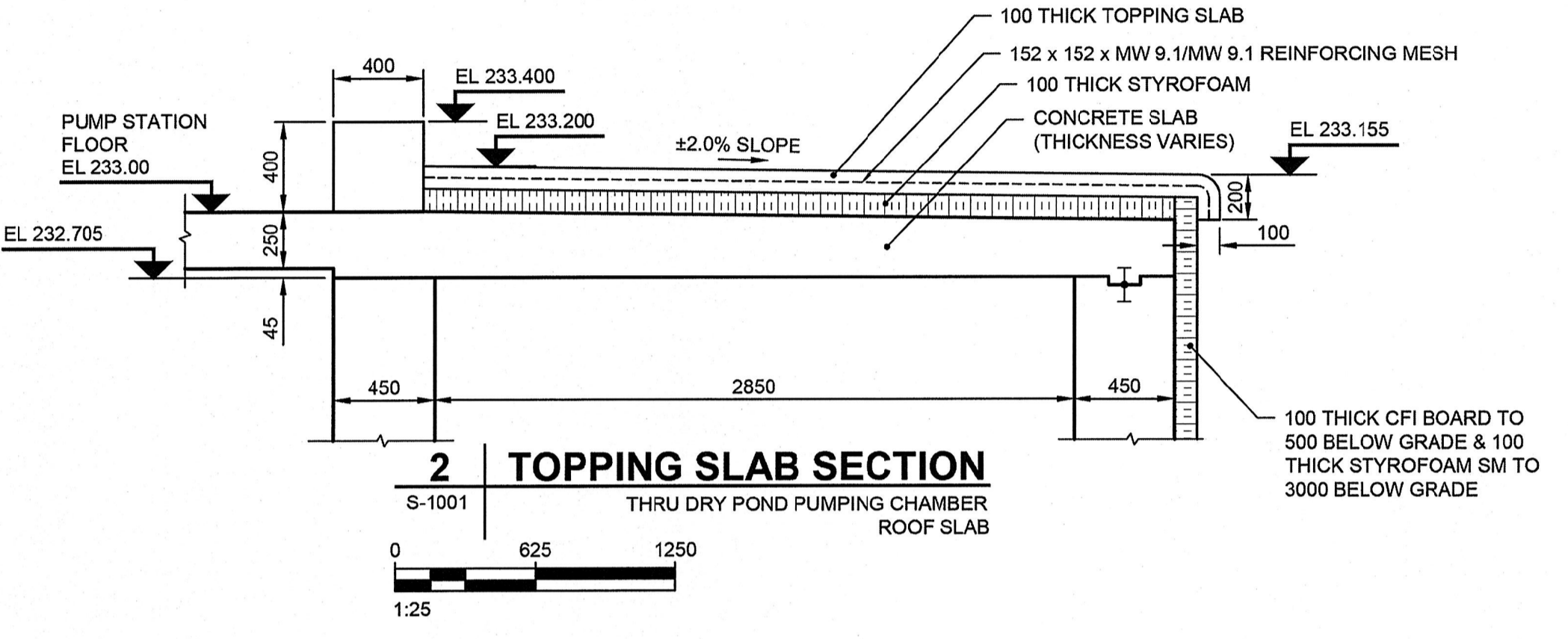
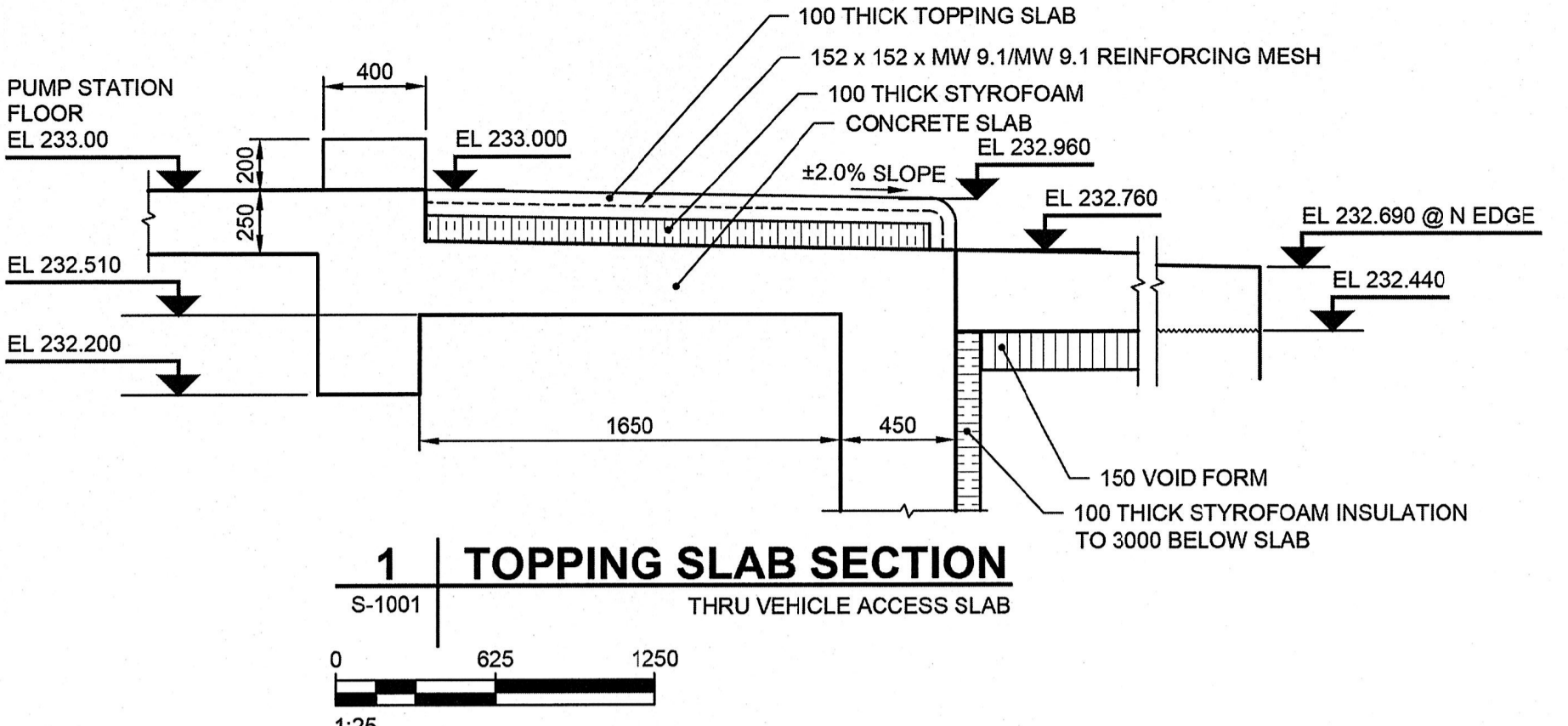


AL - 04/15/14

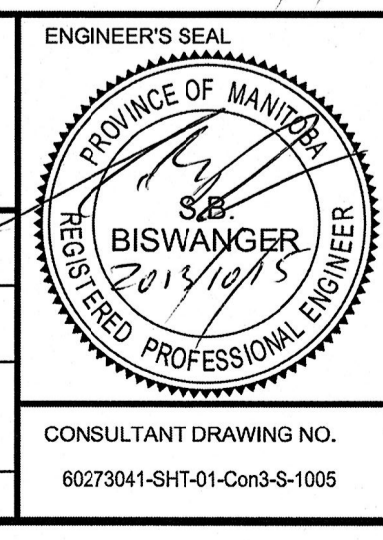


METRIC
WHOLE NUMBERS INDICATE MILLIMETRES
DECIMALIZED NUMBERS INDICATE METRES

BID OPPORTUNITY NO. 712-2013

LOCATION APPROVED UNDERGROUND STRUCTURES		SUPV. U/G STRUCTURES COMMITTEE		DATE	
NOTE: LOCATION OF UNDERGROUND STRUCTURES AS SHOWN ARE BASED ON THE BEST INFORMATION AVAILABLE. BUT NO GUARANTEE IS GIVEN THAT ALL EXISTING UTILITIES ARE SHOWN OR THAT THE GIVEN LOCATIONS ARE EXACT. CONFIRMATION OF EXISTENCE AND EXACT LOCATION OF ALL SERVICES MUST BE OBTAINED FROM THE INDIVIDUAL UTILITIES BEFORE PROCEEDING WITH CONSTRUCTION.					
B.M. ELEV.					
ISSUED FOR TENDER	13/10/15	Wjd			
REVISIONS					

AECOM	
DESIGNED BY: JAT	CHECKED BY: A.B.B.
DRAWN BY: Wjd	APPROVED BY: [Signature]
HOR. SCALE: AS NOTED	RELEASED FOR CONSTRUCTION BY: [Signature]
VERTICAL: AS NOTED	DATE:



THE CITY OF WINNIPEG PUBLIC WORKS DEPARTMENT

PLESSIS ROAD TWINNING AND GRADE SEPARATION AT CN REDDITT SUBDIVISION CONTRACT 3

CITY DRAWING NUMBER
U238-2014-2335
SHEET 5 OF 10

PUMPING STATION SECTIONS & DETAILS 5

S-1005

AECOM REVIEW DRAFT CHK CA