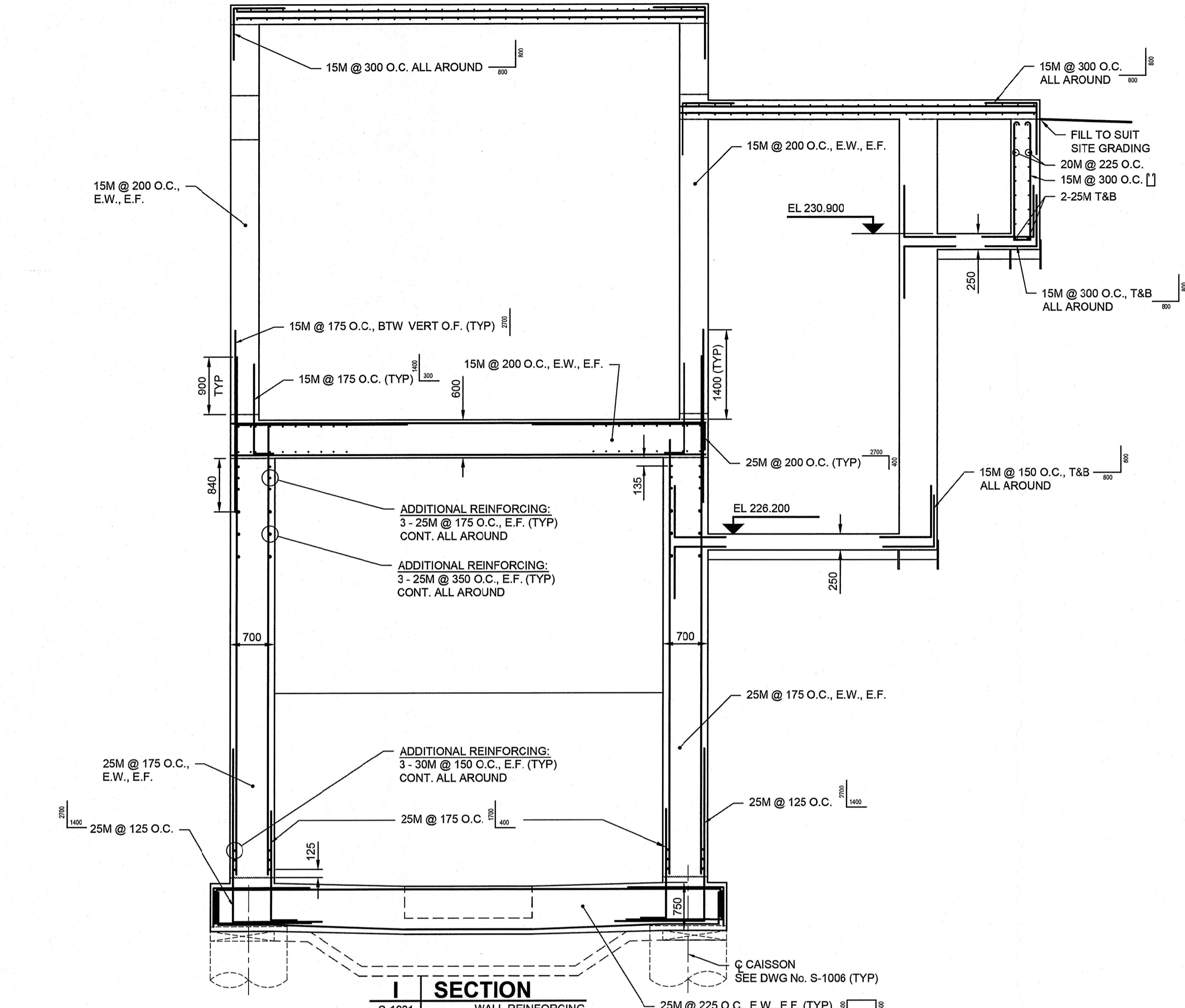


AL - 844-204

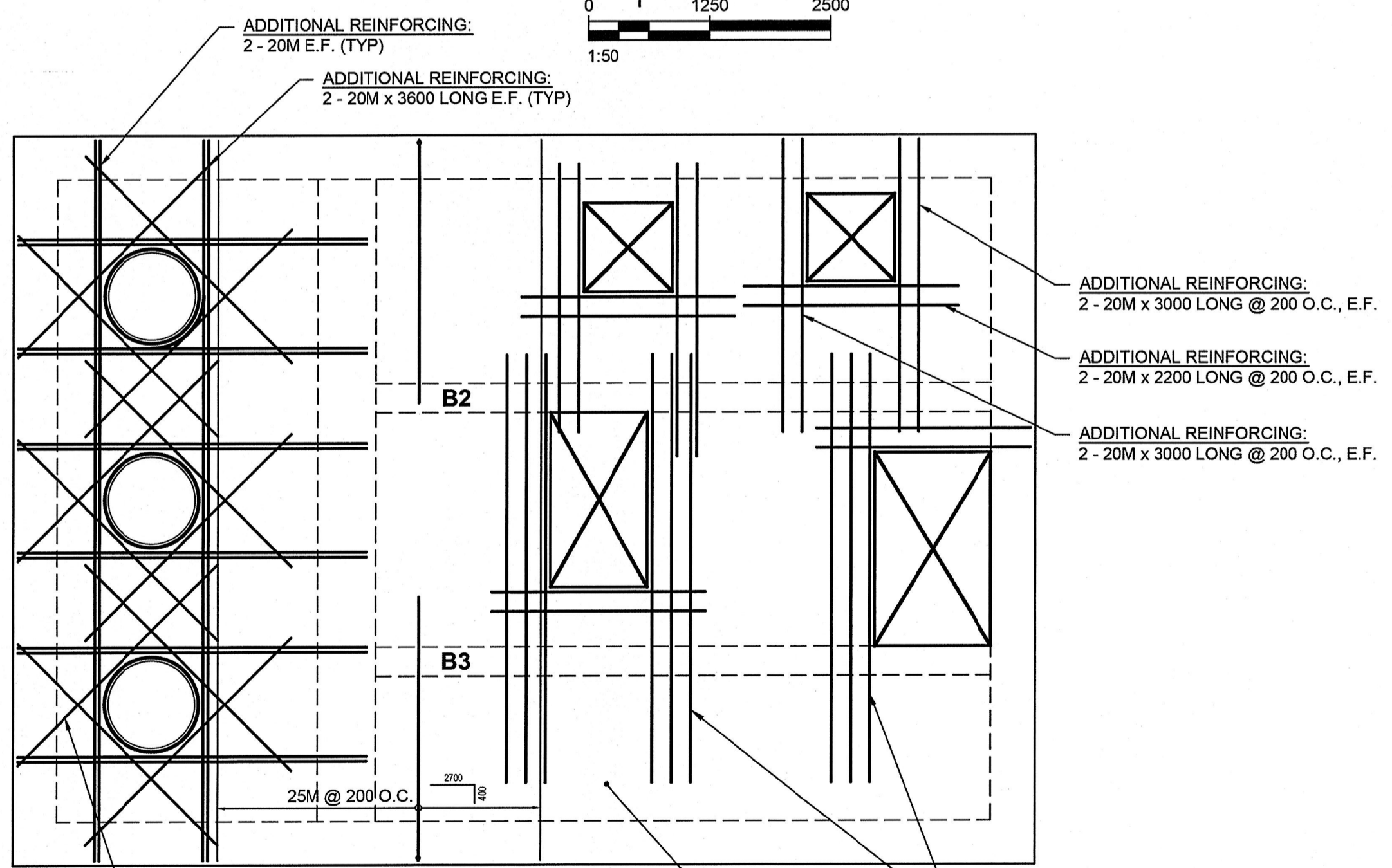
2013-10-11

AECOM REVIEW DRAFT CHK

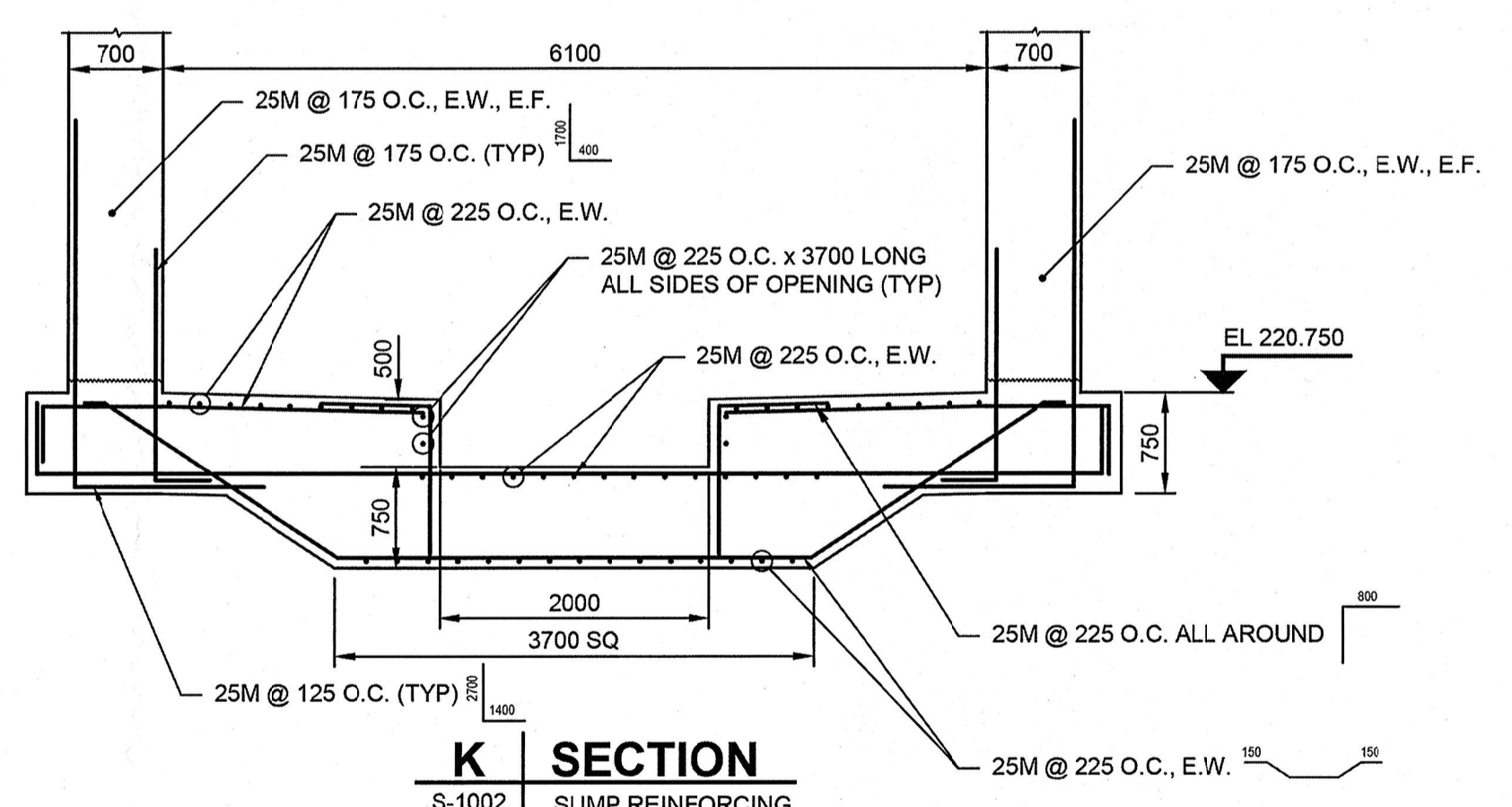
AECT-0-2-2013-01-01



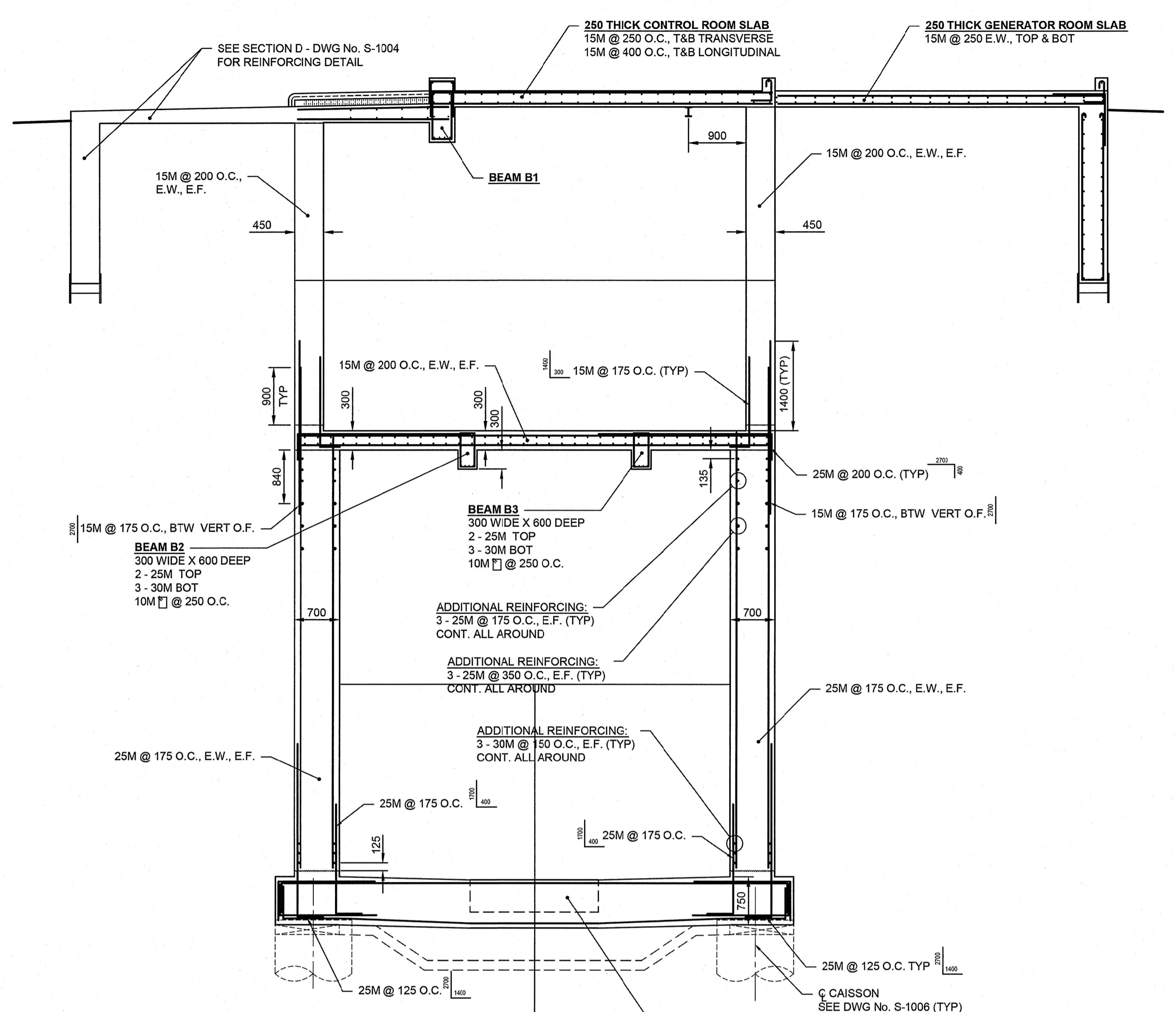
I SECTION
S-1001
WALL REINFORCING
1:50



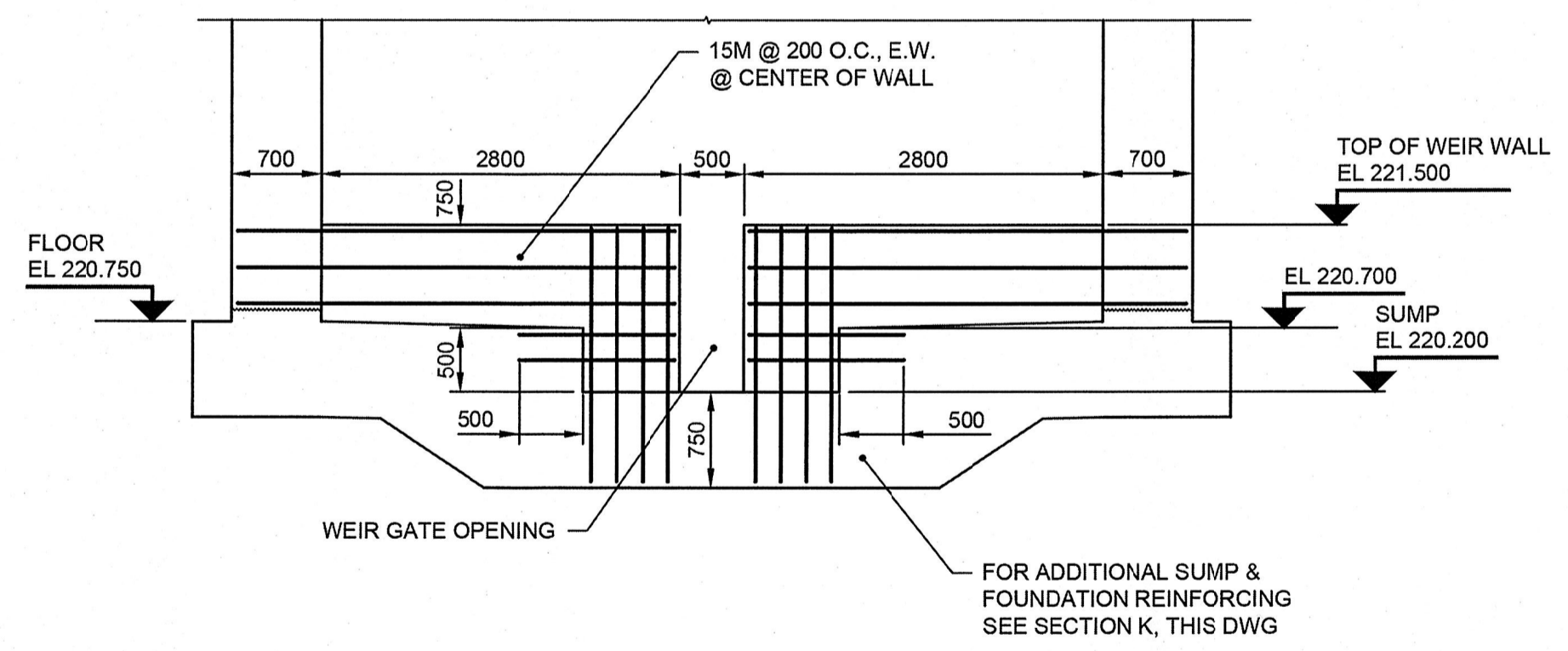
L SECTION
S-1001
INTERMEDIATE FLOOR EL 227.700
1:50



K SECTION
S-1002
SUMP REINFORCING
1:50



J SECTION
S-1001
WALL REINFORCING
1:50



M SECTION
S-1002
WEIR WALL REINFORCING
1:50

LOCATION APPROVED UNDERGROUND STRUCTURES		B.M. ELEV.
SUPV. U/G STRUCTURES COMMITTEE	DATE	
NOTE: LOCATION OF UNDERGROUND STRUCTURES AS SHOWN ARE BASED ON THE BEST INFORMATION AVAILABLE. BUT NO GUARANTEE IS GIVEN THAT ALL EXISTING UTILITIES ARE SHOWN OR THAT THE GIVEN LOCATIONS ARE EXACT. CONFIRMATION OF EXISTENCE AND EXACT LOCATION OF ALL SERVICES MUST BE OBTAINED FROM THE INDIVIDUAL UTILITIES BEFORE PROCEEDING WITH CONSTRUCTION.		
NO.	ISSUED FOR TENDER	13/10/15
NO.	REVISIONS	DATE BY

AECOM		ENGINEER'S SEAL
DESIGNED BY: JAT	CHECKED BY: [Signature]	PROVINCE OF MANITOBA REGISTERED PROFESSIONAL ENGINEER
DRAWN BY: WJd	APPROVED BY: [Signature]	
HOR. SCALE: AS NOTED	RELEASED FOR CONSTRUCTION BY: [Signature]	CONSULTANT DRAWING NO. 60273041-SHT-01-CN-3-S-1008
VERTICAL: AS NOTED	DATE	

THE CITY OF WINNIPEG PUBLIC WORKS DEPARTMENT

PLESSIS ROAD TWINNING AND GRADE SEPARATION AT CN REDDITT SUBDIVISION CONTRACT 3

PUMPING STATION SUBSTRUCTURE REINFORCING SECTIONS 2

CITY DRAWING NUMBER U238-2014-2338
SHEET 8 OF 10

S-1008

BID OPPORTUNITY NO. 712-2013

