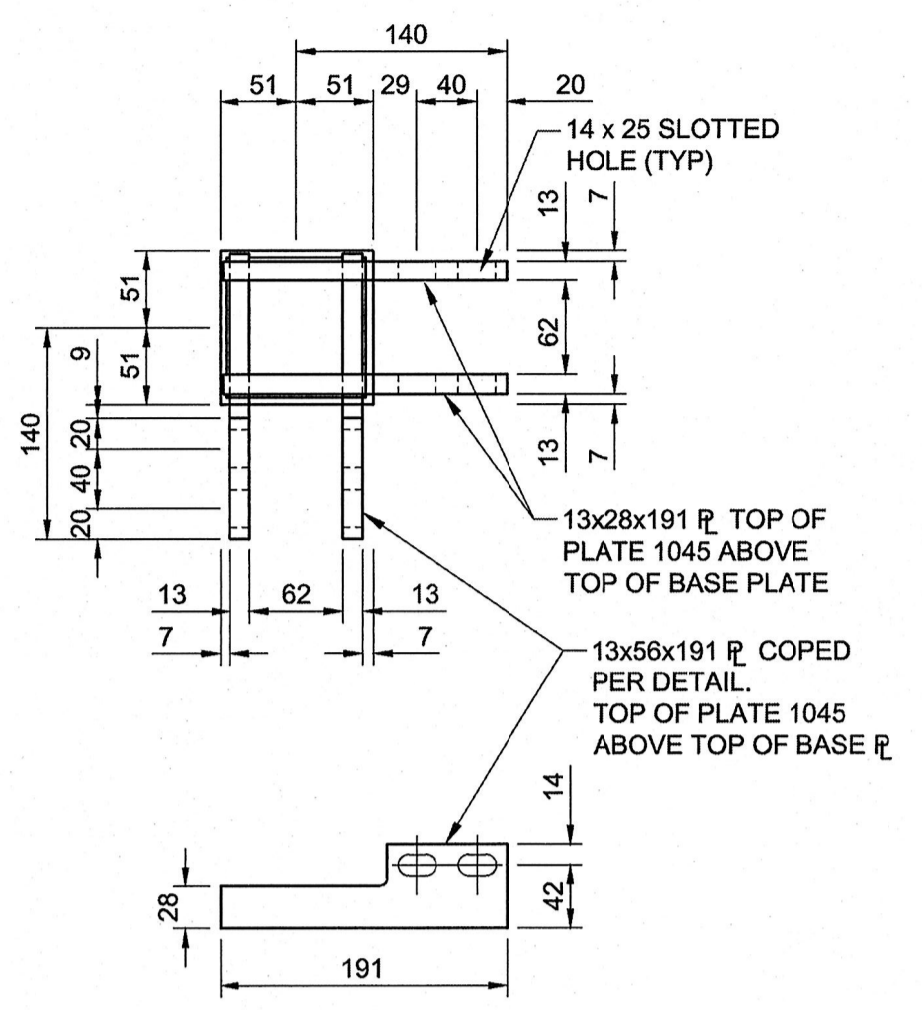
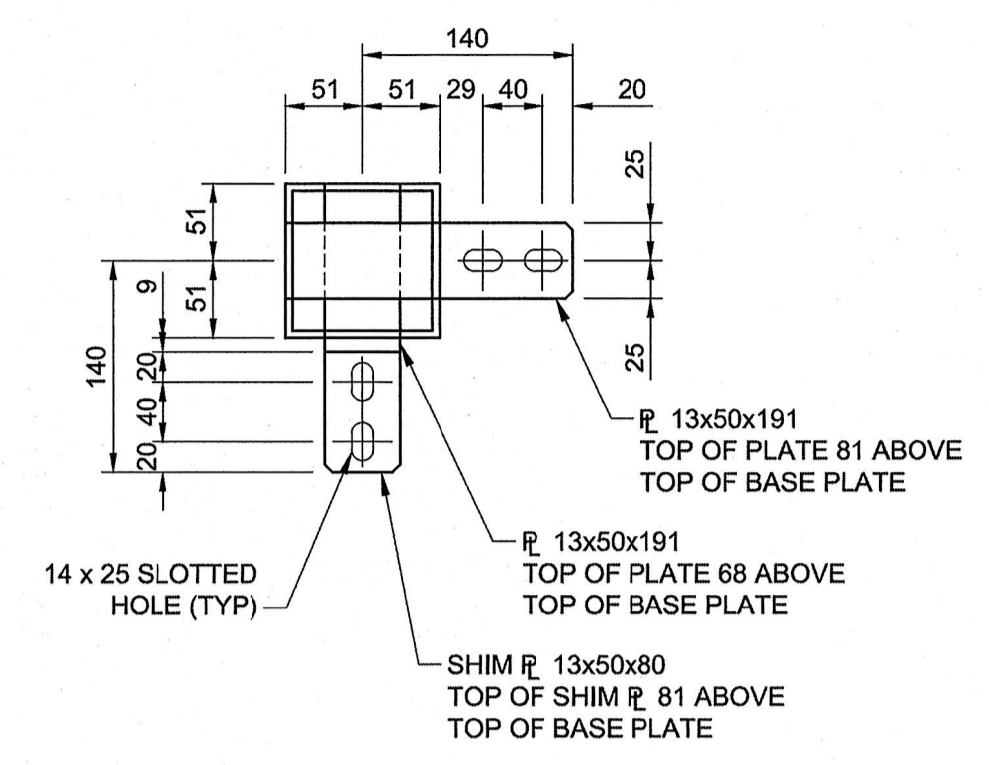


**CORNER POST**  
Scale 1:5



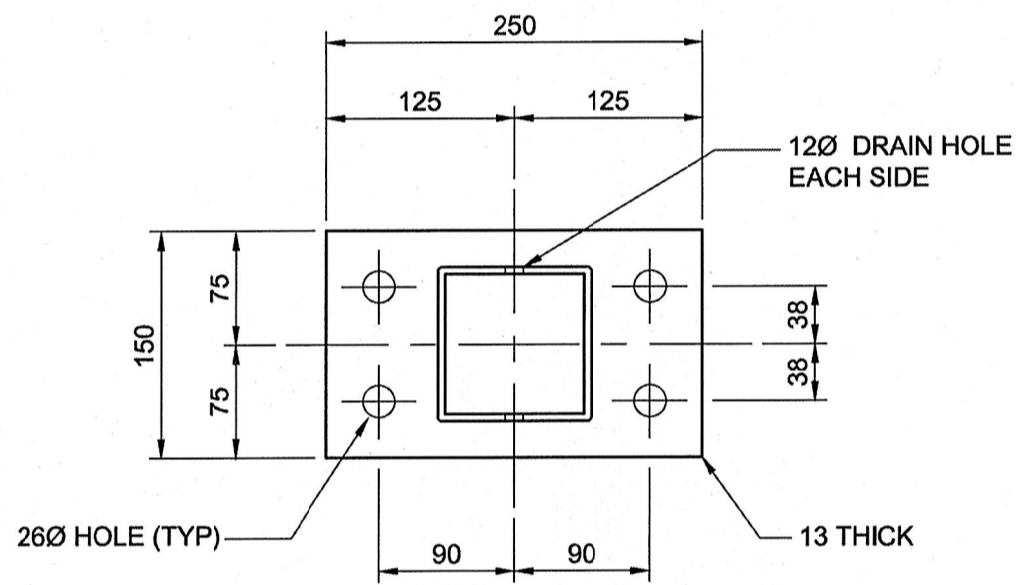
**C SECTION**  
Scale 1:5

**TOP RAIL SEAT FOR CORNER POST**

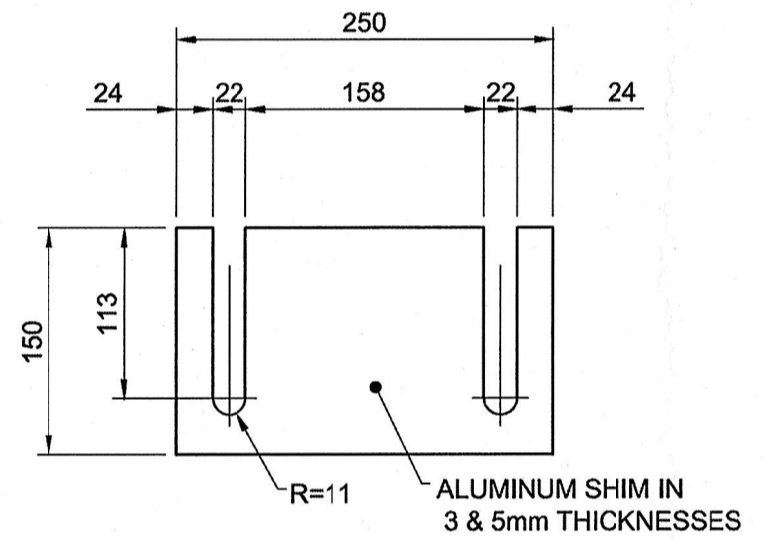


**D SECTION**  
Scale 1:5

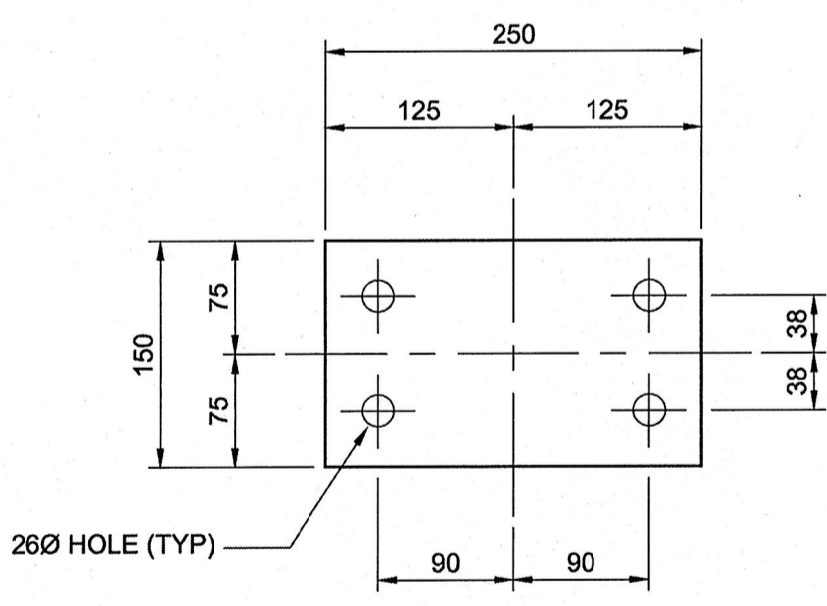
**BOTTOM RAIL SEAT FOR CORNER POST**



**TYPICAL BASE PLATE DETAIL FOR CORNER POST**  
Scale 1:5



**ALUMINUM SHIM DETAIL FOR CORNER POST**  
Scale 1:5



**NEOPRENE PAD DETAIL FOR CORNER POST**  
Scale 1:5

AECOM REVIEW DRAFT CHK

AECOM STANDARDS



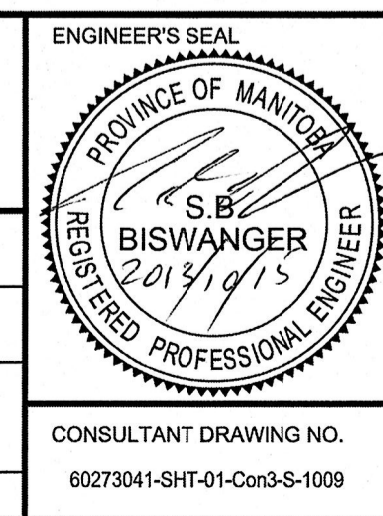
**LOCATION APPROVED UNDERGROUND STRUCTURES**

SUPV. U/G STRUCTURES COMMITTEE DATE

**NOTE:**  
LOCATION OF UNDERGROUND STRUCTURES AS SHOWN ARE BASED ON THE BEST INFORMATION AVAILABLE. BUT NO GUARANTEE IS GIVEN THAT ALL EXISTING UTILITIES ARE SHOWN OR THAT THE GIVEN LOCATIONS ARE EXACT. CONFIRMATION OF EXISTENCE AND EXACT LOCATION OF ALL SERVICES MUST BE OBTAINED FROM THE INDIVIDUAL UTILITIES BEFORE PROCEEDING WITH CONSTRUCTION.

B.M. ELEV.	DATE	BY	DATE
0	ISSUED FOR TENDER	13/10/15	WJd
	NO. REVISIONS		

<b>AECOM</b>	
DESIGNED BY	CHECKED BY <i>A.G.B.</i>
DRAWN BY	APPROVED BY <i>[Signature]</i>
HOR. SCALE: AS NOTED	RELEASED FOR CONSTRUCTION BY:
VERTICAL: AS NOTED	DATE



**THE CITY OF WINNIPEG PUBLIC WORKS DEPARTMENT**

PLESSIS ROAD TWINNING AND GRADE SEPARATION AT CN REDDITT SUBDIVISION CONTRACT 3

PUMPING STATION HANDRAIL DETAILS SHEET 2

CITY DRAWING NUMBER U238-2014-2340  
SHEET 10 OF 10  
S-1010

**METRIC**  
WHOLE NUMBERS INDICATE MILLIMETRES  
DECIMALIZED NUMBERS INDICATE METRES

BID OPPORTUNITY NO. 712-2013