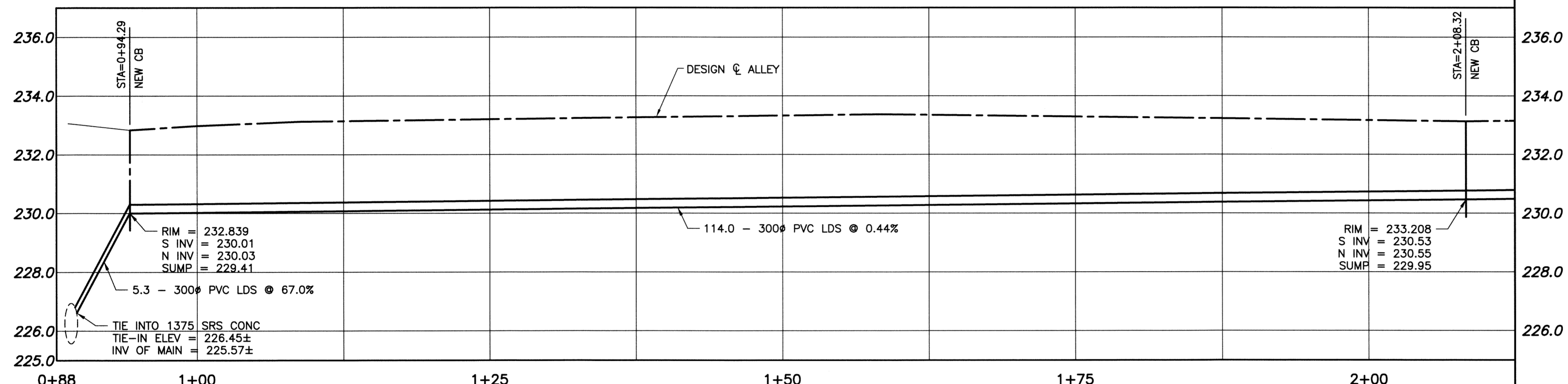
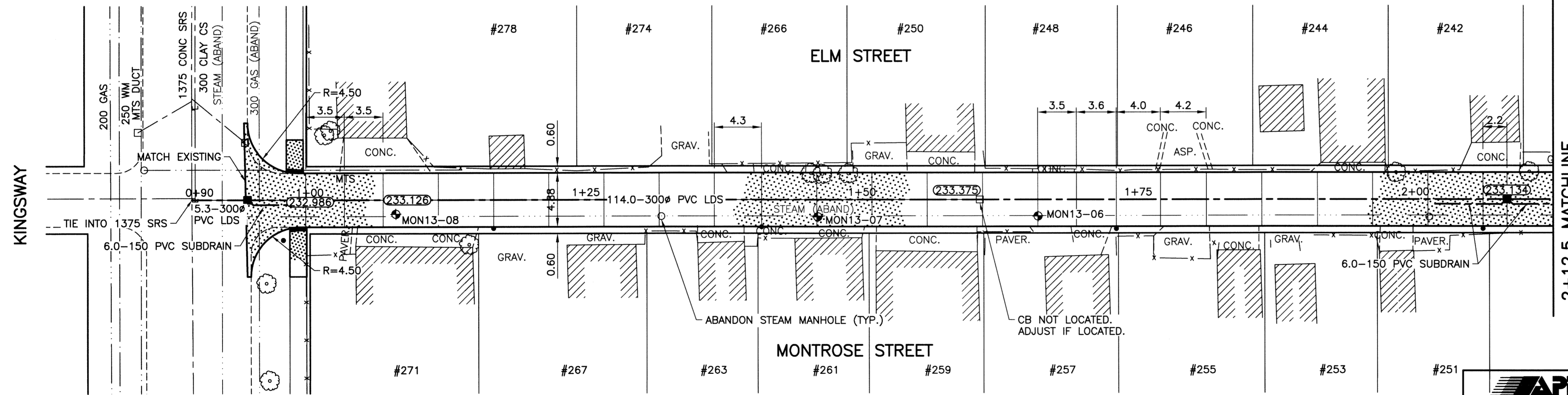


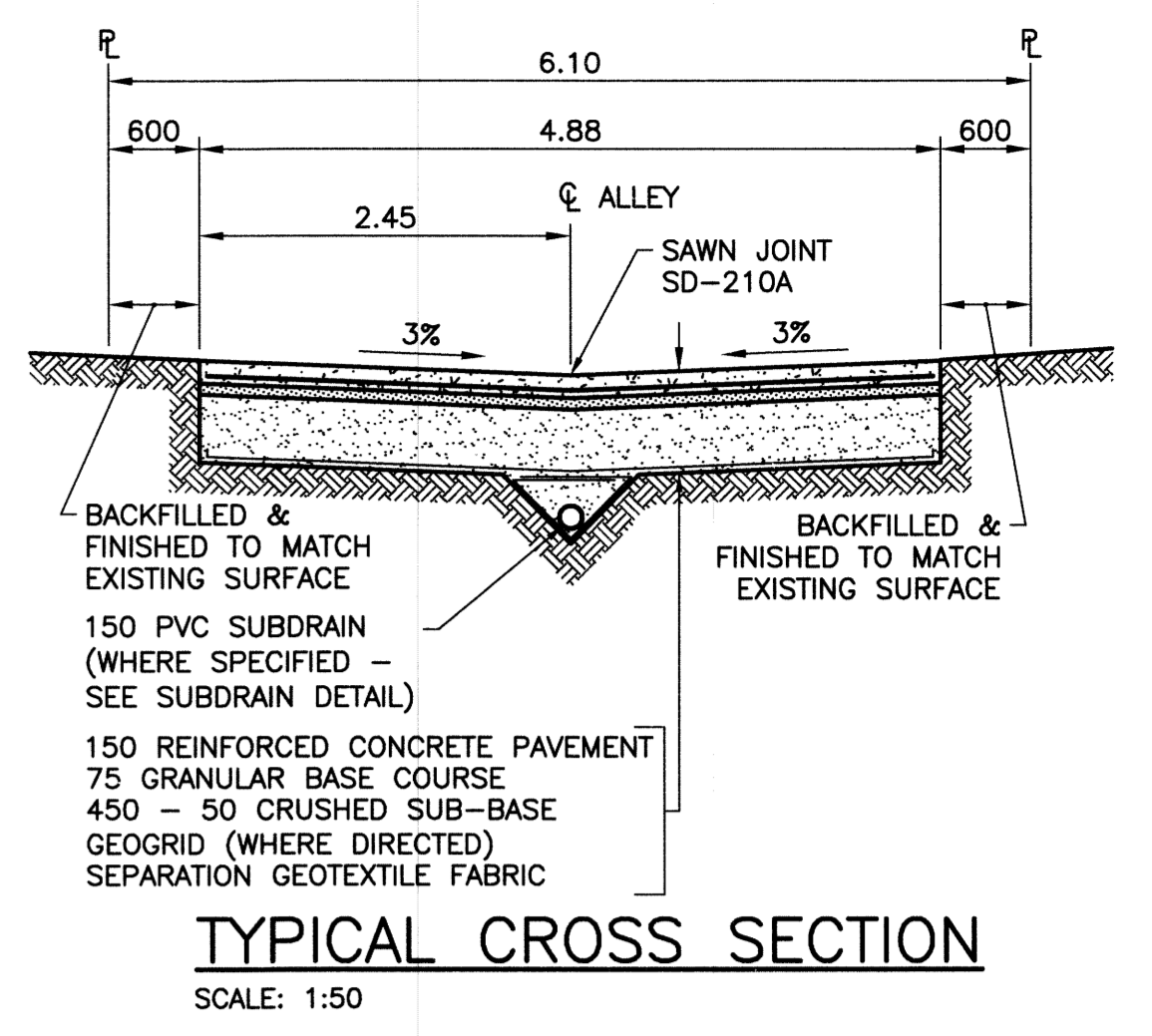
**ALLEY PAVEMENT PROFILE**  
SCALE: 1:250 HOR  
1:10 VER



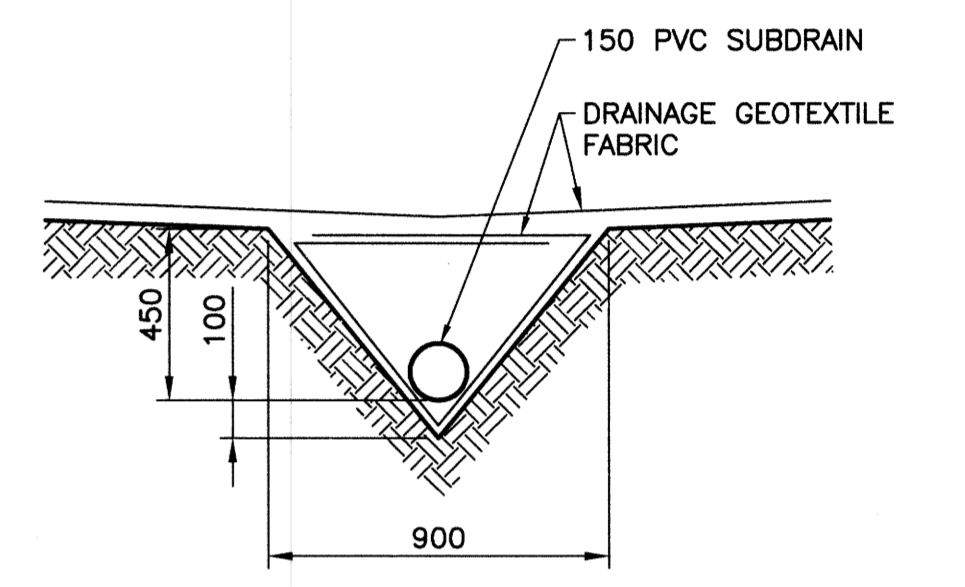
**SEWER PROFILE**  
SCALE: 1:250 HOR  
1:100 VER



**ALLEY PAVEMENT PLAN**  
SCALE: 1:250 HOR



**TYPICAL CROSS SECTION**  
SCALE: 1:50

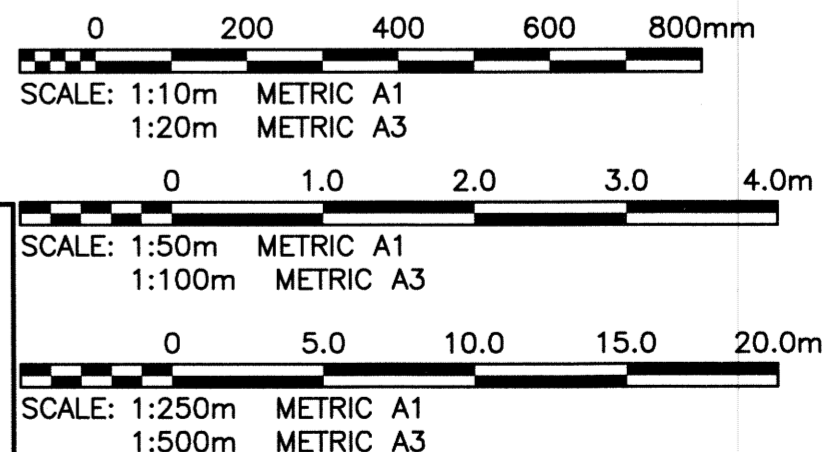


**SUBDRAIN DETAIL**  
SCALE: 1:20

- NOTES:**
1. STATION CHAINAGE IS BASED ON CENTERLINE OF ALLEY RIGHT OF WAY.
  2. ADJUST MH AND CB RIMS TO NEW GRADES.
  3. PLUG SUBDRAINS AT TERMINAL ENDS.
  4. REGRADE EXISTING PRIVATE SIDEWALKS AS REQUIRED.
  5. INSTALLATION OF LIP CURBS AND THEIR EXTENTS TO BE DETERMINED BY THE CONTRACT ADMINISTRATOR.
  6. LIGHT STANDARDS, HYDRO POLES AND ANCHORS MAY REQUIRE TEMPORARY SUPPORT/REMOVAL OR REPLACEMENT AT THE CONTRACTOR'S EXPENSE.
  7. ISOLATE ALL POLES, BASES AND PILES WITHIN ALLEY RIGHT OF WAY (SD-228C)
  8. AVOID DAMAGE TO EXISTING TREES WITHIN THE LIMITS OF CONSTRUCTION.

**WARNING**  
NOTIFY THE GAS COMPANY OF THE PROPOSED LOCATION OF EXCAVATION. TAKE PRECAUTION TO AVOID DAMAGE TO GAS COMPANY INSTALLATIONS. SEE PROVINCIAL REGULATION 210/72 FOR DETAILS.

**METRIC**  
WHOLE NUMBERS INDICATE MILLIMETRES  
DECIMALIZED NUMBERS INDICATE METRES



**PROPERTY LIMITS DELINEATION**  
DELINEATION OF PROPERTY LIMITS AS SHOWN ON THIS DWG DOES NOT REPRESENT A "LEGAL SURVEY". KGS GROUP MAKES NO REPRESENTATION OR WARRANTY AS TO THE ACCURACY OF PROPERTY LIMITS DELINEATED ON THIS DWG, NOR ON THE DIMENSIONAL ACCURACY OF DWG FEATURES RELATIVE TO THOSE PROPERTY LIMITS.

**APEGM**  
Certificate of Authorization  
**KGS Group**  
No. 245

EXISTING	LEGEND-PLAN	PROPOSED	EXISTING	LEGEND-PLAN	PROPOSED	EXISTING	LEGEND-PROFILE	PROPOSED
300 L.D.S.	LAND DRAINAGE SEWER	300 L.D.S.	TEST HOLE	TEST HOLE				
250 W.W.S.	WASTE WATER SEWER	250 W.W.S.	GUY WIRE	GUY WIRE				
	GAS		LIGHT STANDARD	LIGHT STANDARD				
	HYDRO		BACK OF CURB	BACK OF CURB				
	M.T.S.		CONCRETE	CONCRETE				
150 W.M.	WATERMAIN	150 W.M.	ASPHALT	ASPHALT				
⊕	HYDRANT	⊕	SIDEWALK	SIDEWALK	---	---	---	---
⊙	VALVE	⊙	PROPERTY LINE	PROPERTY LINE	---	---	---	---
○	MANHOLE	○	SURVEY BAR	SURVEY BAR	---	---	---	---
□	CATCH BASIN	□	GEODETIC BENCHMARK	GEODETIC BENCHMARK	---	---	---	---
▽	CURB INLET	▽	ELEVATION	ELEVATION	---	---	---	---
•	POLES	•	---	---	---	---	---	---

**LOCATION APPROVED UNDERGROUND STRUCTURES**

SUPV. U/G STRUCTURES COMMITTEE DATE

**NOTE:**  
LOCATION OF UNDERGROUND STRUCTURES AS SHOWN ARE BASED ON THE BEST INFORMATION AVAILABLE. BUT NO GUARANTEE IS GIVEN THAT ALL EXISTING UTILITIES ARE SHOWN OR THAT THE GIVEN LOCATIONS ARE EXACT. CONFIRMATION OF EXISTENCE AND EXACT LOCATION OF ALL SERVICES MUST BE OBTAINED FROM THE INDIVIDUAL UTILITIES BEFORE PROCEEDING WITH CONSTRUCTION.

NO.	REVISIONS	DATE	BY
1	ISSUED FOR ADDENDUM 1	13/08/28	GES
0	ISSUED FOR TENDER	13/08/22	GES

DESIGNED BY	CHECKED BY	DATE	SCALE
GES	CR		HOR. SCALE: 1:250 VERTICAL: 1:50
DRAWN BY	APPROVED BY	DATE	RELEASED FOR CONSTRUCTION
GEL	RJH	13/08/20	

**ENGINEER'S SEAL**  
PROVINCE OF MANITOBA  
**M.C. ROWBOTHAM**  
REGISTERED PROFESSIONAL ENGINEER  
22678  
AUGUST 27, 2013  
CONSULTANT DRAWING NO. 13-0107-011-C01

**THE CITY OF WINNIPEG**  
PUBLIC WORKS DEPARTMENT  
TRANSPORTATION ENGINEERING DIVISION

**Winnipeg**

PROJECT TITLE: **2013 ALLEY RENEWAL PROGRAM**  
CONTRACT 2  
ELM ST/MONTROSE ST  
KINGSWAY TO ACADEMY RD  
KINGSWAY TO STA 2+12.5

SHEET OF: **01** OF **15**  
COMPUTER FILE NAME: **13-0107-011\_CALL**  
CITY DRAWING NUMBER: **0001**