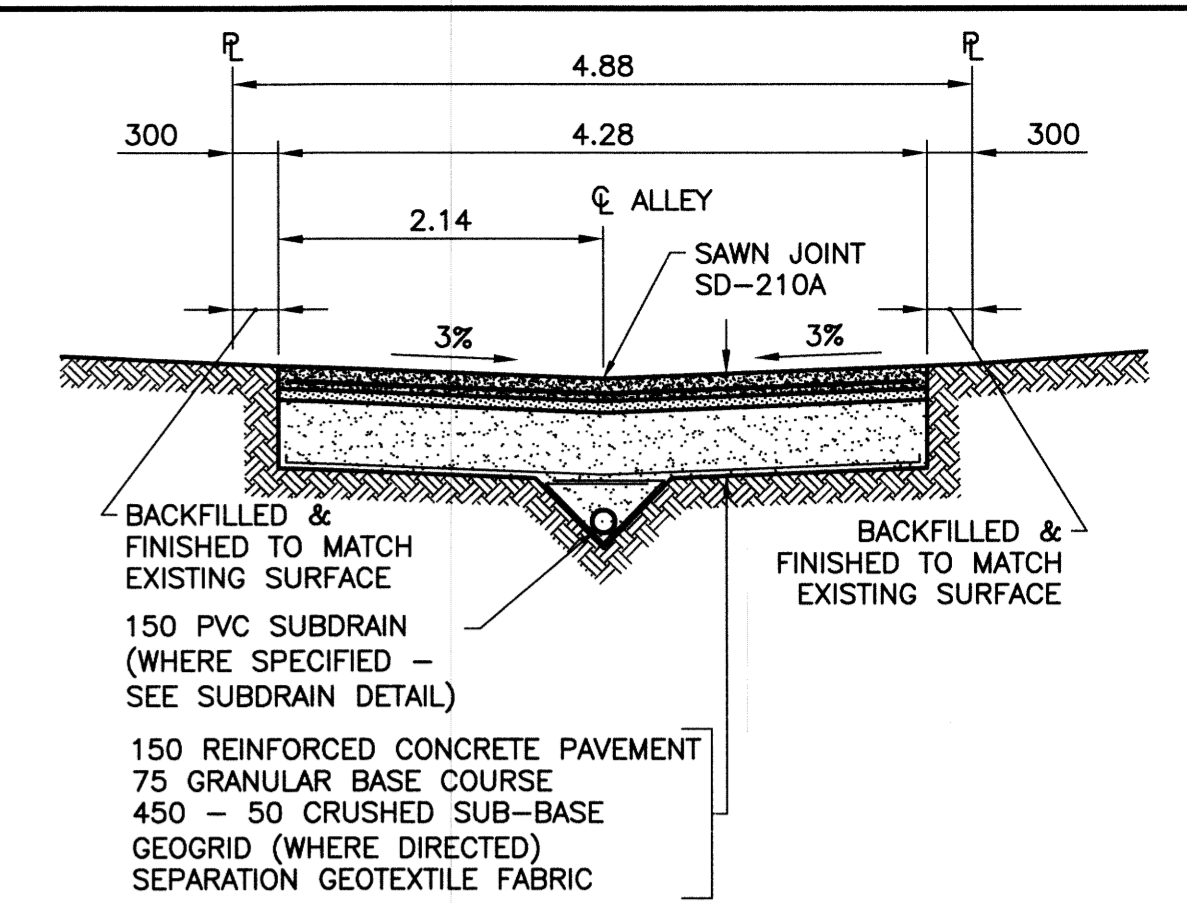
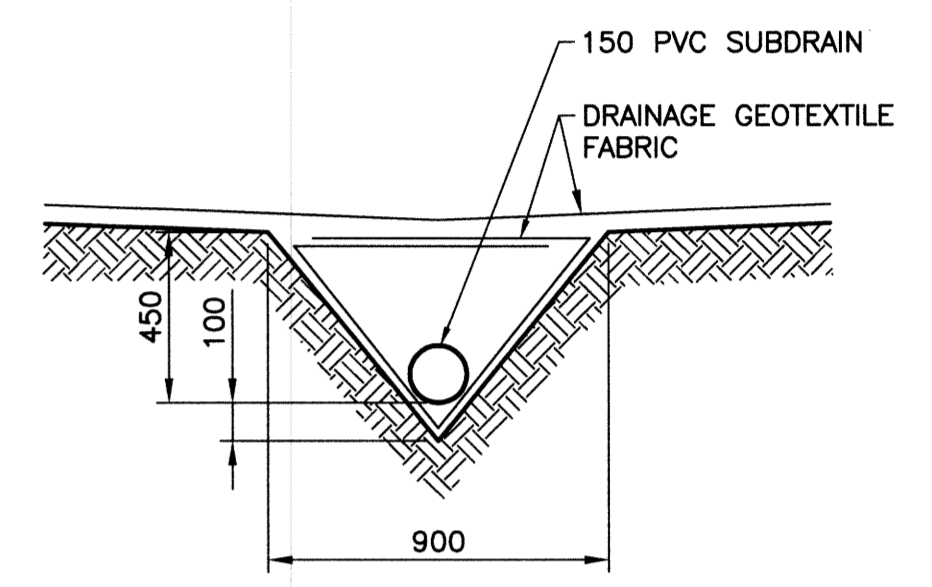


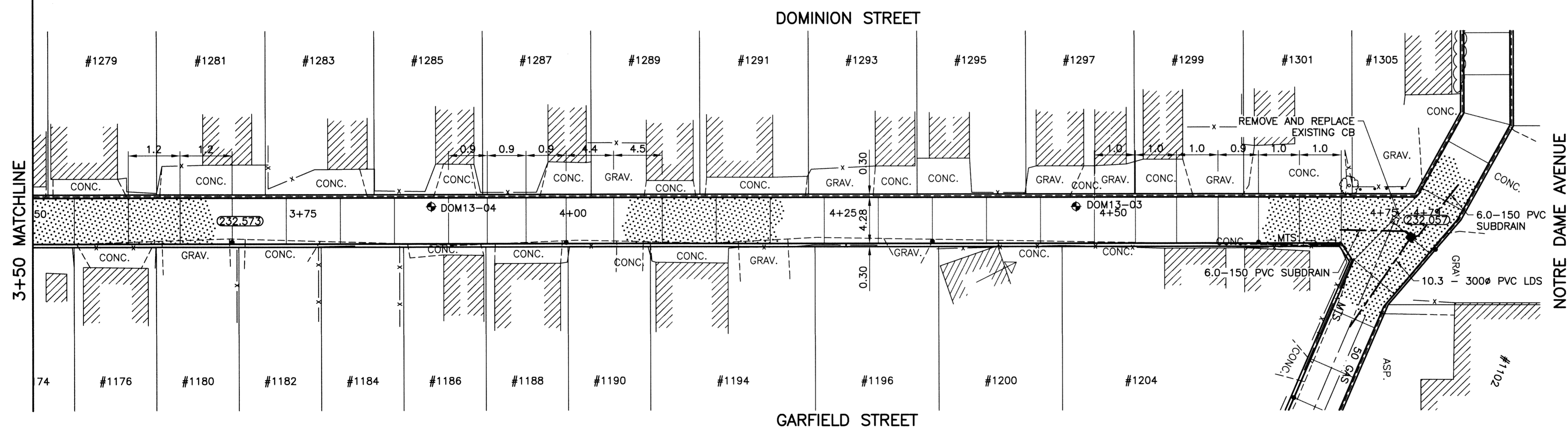
ALLEY PAVEMENT PROFILE
SCALE: 1:250 HOR
1:10 VER



TYPICAL CROSS SECTION
SCALE: 1:50



SUBDRAIN DETAIL
SCALE: 1:20

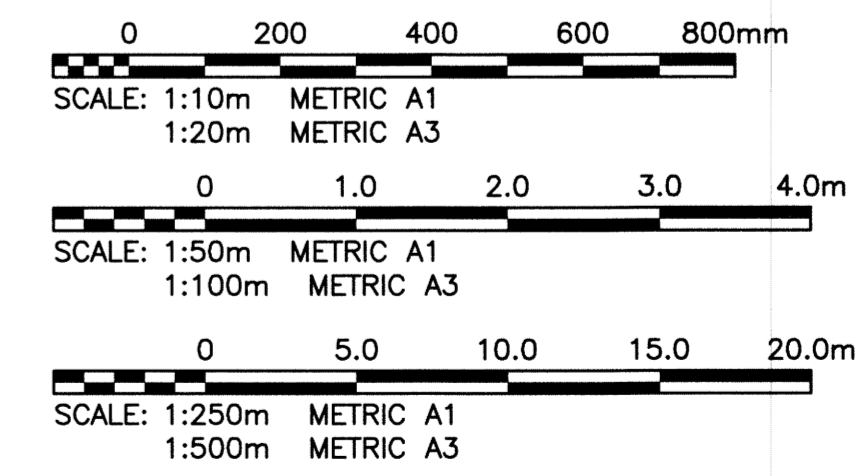


ALLEY PAVEMENT PLAN
SCALE: 1:250 HOR

- NOTES:**
1. STATION CHAINAGE IS BASED ON CENTERLINE OF ALLEY RIGHT OF WAY.
 2. ADJUST MH AND CB RIMS TO NEW GRADES.
 3. PLUG SUBDRAINS AT TERMINAL ENDS.
 4. REGRADE EXISTING PRIVATE SIDEWALKS AS REQUIRED.
 5. INSTALLATION OF LIP CURBS AND THEIR EXTENTS TO BE DETERMINED BY THE CONTRACT ADMINISTRATOR.
 6. LIGHT STANDARDS, HYDRO POLES AND ANCHORS MAY REQUIRE TEMPORARY SUPPORT/REMOVAL OR REPLACEMENT AT THE CONTRACTOR'S EXPENSE.
 7. ISOLATE ALL POLES, BASES AND PILES WITHIN ALLEY RIGHT OF WAY (SD-228C)
 8. AVOID DAMAGE TO EXISTING TREES WITHIN THE LIMITS OF CONSTRUCTION.

WARNING
NOTIFY THE GAS COMPANY OF THE PROPOSED LOCATION OF EXCAVATION. TAKE PRECAUTION TO AVOID DAMAGE TO GAS COMPANY INSTALLATIONS. SEE PROVINCIAL REGULATION 210/72 FOR DETAILS.

METRIC
WHOLE NUMBERS INDICATE MILLIMETRES
DECIMALIZED NUMBERS INDICATE METRES



PROPERTY LIMITS DELINEATION
DELINEATION OF PROPERTY LIMITS AS SHOWN ON THIS DWG DOES NOT REPRESENT A "LEGAL SURVEY". KGS GROUP MAKES NO REPRESENTATION OR WARRANTY AS TO THE ACCURACY OF PROPERTY LIMITS DELINEATED ON THIS DWG, NOR ON THE DIMENSIONAL ACCURACY OF DWG FEATURES RELATIVE TO THOSE PROPERTY LIMITS.



300 LDS	LAND DRAINAGE SEWER	300 LDS							
250 WWS	WASTE WATER SEWER	250 WWS	+	TEST HOLE					
	GAS		—	GUY WIRE					
	HYDRO		—	LIGHT STANDARD					
	M.T.S.		—	BACK OF CURB					
150 WM	WATERMAIN	150 WM	—	CONCRETE					
+	HYDRANT	+	—	ASPHALT					
+	VALVE	+	—	SIDEWALK					
○	MANHOLE	○	—	PROPERTY LINE					
○	CATCH BASIN	○	—	SURVEY BAR					
▽	CURB INLET	▽	—	GEODETIC BENCHMARK					
•	POLES	•	—	ELEVATION	231.334				
EXISTING	LEGEND—PLAN	PROPOSED	EXISTING	LEGEND—PLAN	PROPOSED	EXISTING	LEGEND—PROFILE	PROPOSED	

LOCATION APPROVED UNDERGROUND STRUCTURES
SUPV. U/G STRUCTURES COMMITTEE DATE
NOTE: LOCATION OF UNDERGROUND STRUCTURES AS SHOWN ARE BASED ON THE BEST INFORMATION AVAILABLE BUT NO GUARANTEE IS GIVEN THAT THE GIVEN LOCATIONS ARE EXACT. CONFIRMATION OF EXISTENCE AND EXACT LOCATION OF ALL SERVICES MUST BE OBTAINED FROM THE INDIVIDUAL UTILITIES BEFORE PROCEEDING WITH CONSTRUCTION.

B.M. 36-048	S. side Notre Dame Ave., Btw. Downing St. & Dominion St.		
ELEV. 232.513	Tab. in N. conc. foundation No. 1134 Notre Dame Ave. (Clifton Apts), 1m W. & 0.7m below stucco of N.E. Cor of Bldg.		
DESIGNED BY	GES		
CHECKED BY	CR		
DRAWN BY	GEL		
APPROVED BY	R/JH		
1	ISSUED FOR ADDENDUM 1	13/08/28	GES
0	ISSUED FOR TENDER	13/08/22	GES
NO.	REVISIONS	DATE	BY

KGS GROUP CONSULTING ENGINEERS	
DESIGNED BY	GES
CHECKED BY	CR
DRAWN BY	GEL
APPROVED BY	R/JH
HOR. SCALE:	1:250
VERTICAL:	1:50
RELEASED FOR CONSTRUCTION:	
DATE	13/08/20

ENGINEER'S SEAL
M.C. ROWBOOTHAM
REGISTERED PROFESSIONAL ENGINEER
August 27, 2013
CONSULTANT DRAWING NO. 13-0107-011_006

THE CITY OF WINNIPEG PUBLIC WORKS DEPARTMENT TRANSPORTATION ENGINEERING DIVISION

PROJECT TITLE: **2013 ALLEY RENEWAL PROGRAM CONTRACT 2**

DOMINION ST/GARFIELD ST YARWOOD AVE TO NOTRE DAME AVE STA 3+50 TO NOTRE DAME AVE

SHEET OF 06 15
COMPUTER FILE NAME: 13-0107-011_CALL
CITY DRAWING NUMBER: 0006

P:\Projects\2013\13-0107-011\DocControl\TabIssued\DWG\13-0107-011_006-Rev 1.dwg - Tab: 06 Plotted By: Gloewen 08/27/2013 [Tue 1:54pm] PLOT 1:1 A-1