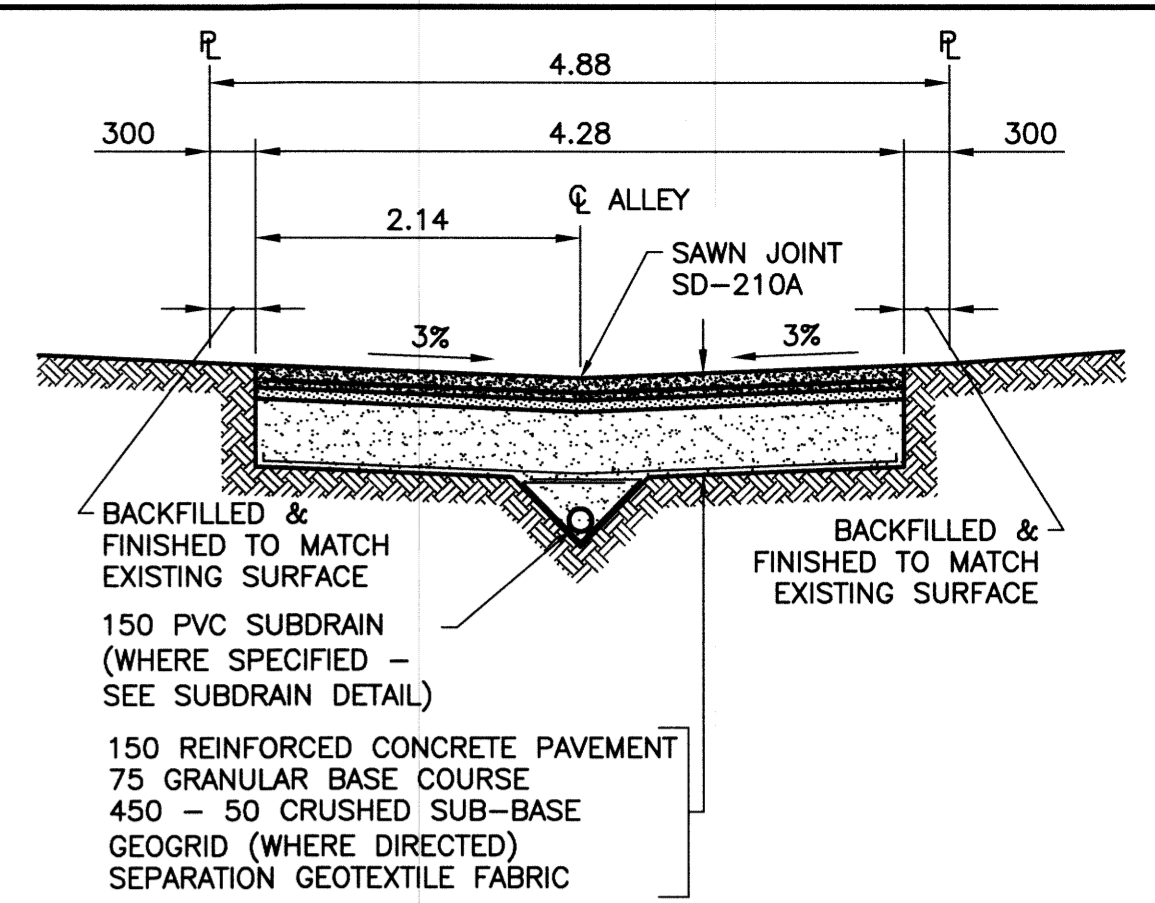
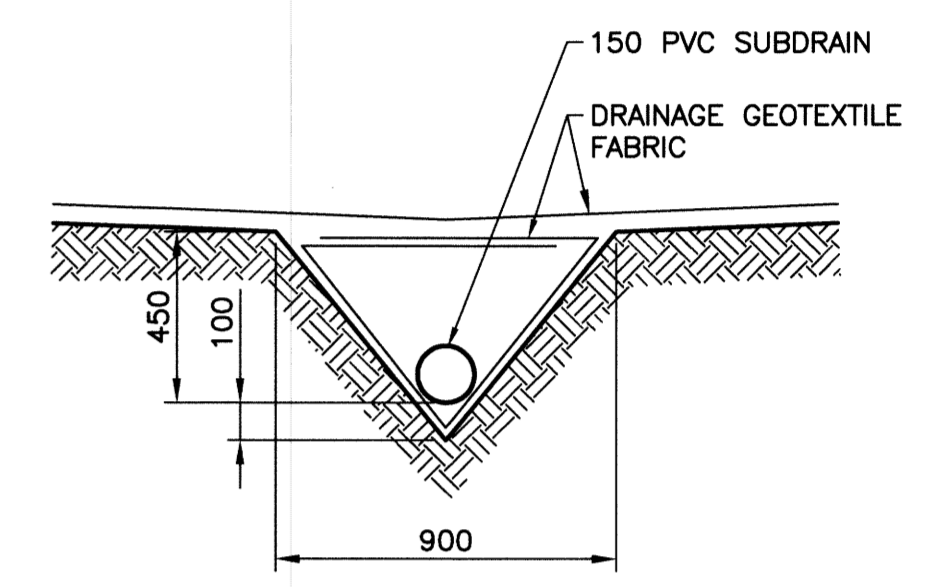


**ALLEY PAVEMENT PROFILE**  
SCALE: 1:250 HOR  
1:10 VER



**TYPICAL CROSS SECTION**  
SCALE: 1:50



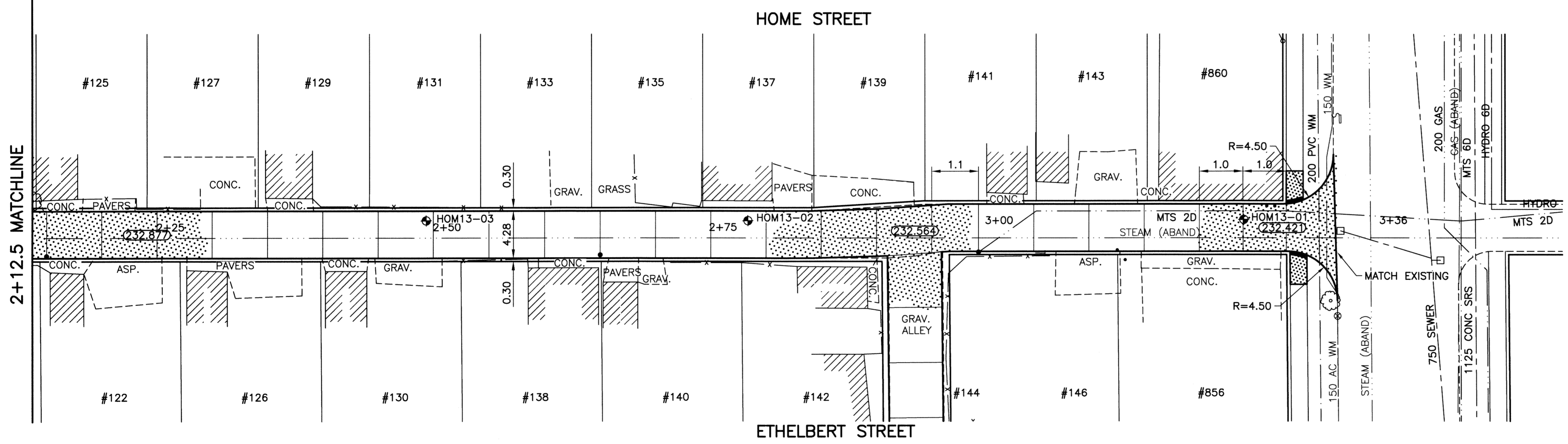
**SUBDRAIN DETAIL**  
SCALE: 1:20

- NOTES:**
1. STATION CHAINAGE IS BASED ON CENTERLINE OF ALLEY RIGHT OF WAY.
  2. ADJUST MH AND CB RIMS TO NEW GRADES.
  3. PLUG SUBDRAINS AT TERMINAL ENDS.
  4. REGRADE EXISTING PRIVATE SIDEWALKS AS REQUIRED.
  5. INSTALLATION OF LIP CURBS AND THEIR EXTENTS TO BE DETERMINED BY THE CONTRACT ADMINISTRATOR.
  6. LIGHT STANDARDS, HYDRO POLES AND ANCHORS MAY REQUIRE TEMPORARY SUPPORT/REMOVAL OR REPLACEMENT AT THE CONTRACTOR'S EXPENSE.
  7. ISOLATE ALL POLES, BASES AND PILES WITHIN ALLEY RIGHT OF WAY (SD-228C)
  8. AVOID DAMAGE TO EXISTING TREES WITHIN THE LIMITS OF CONSTRUCTION.

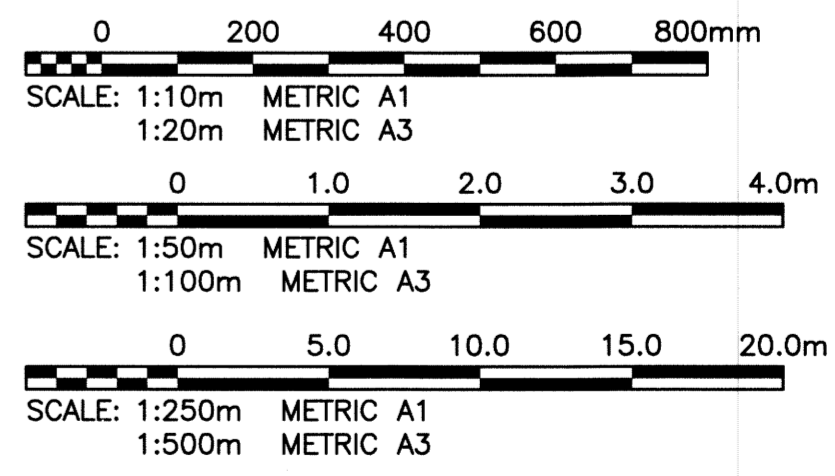
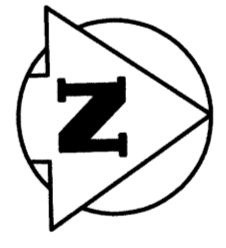
**WARNING**  
NOTIFY THE GAS COMPANY OF THE PROPOSED LOCATION OF EXCAVATION. TAKE PRECAUTION TO AVOID DAMAGE TO GAS COMPANY INSTALLATIONS. SEE PROVINCIAL REGULATION 210/72 FOR DETAILS.

**METRIC**  
WHOLE NUMBERS INDICATE MILLIMETRES  
DECIMALIZED NUMBERS INDICATE METRES

**PROPERTY LIMITS DELINEATION**  
DELINEATION OF PROPERTY LIMITS AS SHOWN ON THIS DWG DOES NOT REPRESENT A "LEGAL SURVEY". KGS GROUP MAKES NO REPRESENTATION OR WARRANTY AS TO THE ACCURACY OF PROPERTY LIMITS DELINEATED ON THIS DWG, NOR ON THE DIMENSIONAL ACCURACY OF DWG FEATURES RELATIVE TO THOSE PROPERTY LIMITS.



**ALLEY PAVEMENT PLAN**  
SCALE: 1:250 HOR



| EXISTING | LEGEND-PLAN         | PROPOSED | EXISTING           | LEGEND-PLAN | PROPOSED | EXISTING | LEGEND-PROFILE | PROPOSED |
|----------|---------------------|----------|--------------------|-------------|----------|----------|----------------|----------|
| 300 LBS  | LAND DRAINAGE SEWER | 300 LBS  | TEST HOLE          |             |          |          |                |          |
| 250 WWS  | WASTE WATER SEWER   | 250 WWS  | GUY WIRE           |             |          |          |                |          |
|          | GAS                 |          | LIGHT STANDARD     |             |          |          |                |          |
|          | HYDRO               |          | BACK OF CURB       |             |          |          |                |          |
|          | M.T.S.              |          | CONCRETE           |             |          |          |                |          |
| 150 WM   | WATERMAIN           | 150 WM   | ASPHALT            |             |          |          |                |          |
|          | HYDRANT             |          | SIDEWALK           |             |          |          |                |          |
|          | VALVE               |          | PROPERTY LINE      |             |          |          |                |          |
|          | MANHOLE             |          | SURVEY BAR         |             |          |          |                |          |
|          | CATCH BASIN         |          | GEODETIC BENCHMARK |             |          |          |                |          |
|          | CURB INLET          |          | ELEVATION          |             |          |          |                |          |
|          | POLES               |          |                    |             |          |          |                |          |

**LOCATION APPROVED UNDERGROUND STRUCTURES**

SUPV. U/G STRUCTURES COMMITTEE DATE

**NOTE:**  
LOCATION OF UNDERGROUND STRUCTURES AS SHOWN ARE BASED ON THE BEST INFORMATION AVAILABLE BUT NO GUARANTEE IS GIVEN THAT ALL EXISTING UTILITIES ARE SHOWN OR THAT THE GIVEN LOCATIONS ARE EXACT. CONFIRMATION OF EXISTENCE AND EXACT LOCATION OF ALL SERVICES MUST BE OBTAINED FROM THE INDIVIDUAL UTILITIES BEFORE PROCEEDING WITH CONSTRUCTION.

| NO. | REVISIONS             | DATE     | BY  |
|-----|-----------------------|----------|-----|
| 1   | ISSUED FOR ADDENDUM 1 | 13/08/28 | GES |
| 0   | ISSUED FOR TENDER     | 13/08/22 | GES |

**KGS GROUP CONSULTING ENGINEERS**

Certificate of Authorization  
KGS Group  
No. 245

| DESIGNED BY | CHECKED BY  |
|-------------|-------------|
| GES         | CR          |
| DRAWN BY    | APPROVED BY |
| GEL         | RJH         |

HOR. SCALE: 1:250  
VERTICAL: 1:50

RELEASED FOR CONSTRUCTION: 13/08/20

ENGINEER'S SEAL

**M.C. ROWBOTHAM**  
REGISTERED PROFESSIONAL ENGINEER  
August 27, 2013

CONSULTANT DRAWING NO. 13-0107-011\_C10

**THE CITY OF WINNIPEG**  
PUBLIC WORKS DEPARTMENT  
TRANSPORTATION ENGINEERING DIVISION

PROJECT TITLE: 2013 ALLEY RENEWAL PROGRAM CONTRACT 2

HOME ST/ETHELBERG ST  
WOLSELEY AVE TO WESTMINSTER AVE  
STA 2+12.5 TO WESTMINSTER AVE

SHEET 10 OF 15  
COMPUTER FILE NAME: 13-0107-011\_CALL  
CITY DRAWING NUMBER: 0010

P:\Projects\2013\13-0107-011\Doc\Control\Released\DWG\13-0107-011\_C10-Rev 1.dwg - Tab: 10 Plotted By: Gcawen 08/27/2013 [Tue 3:27pm]  
 PLOT: 1:1 A-1