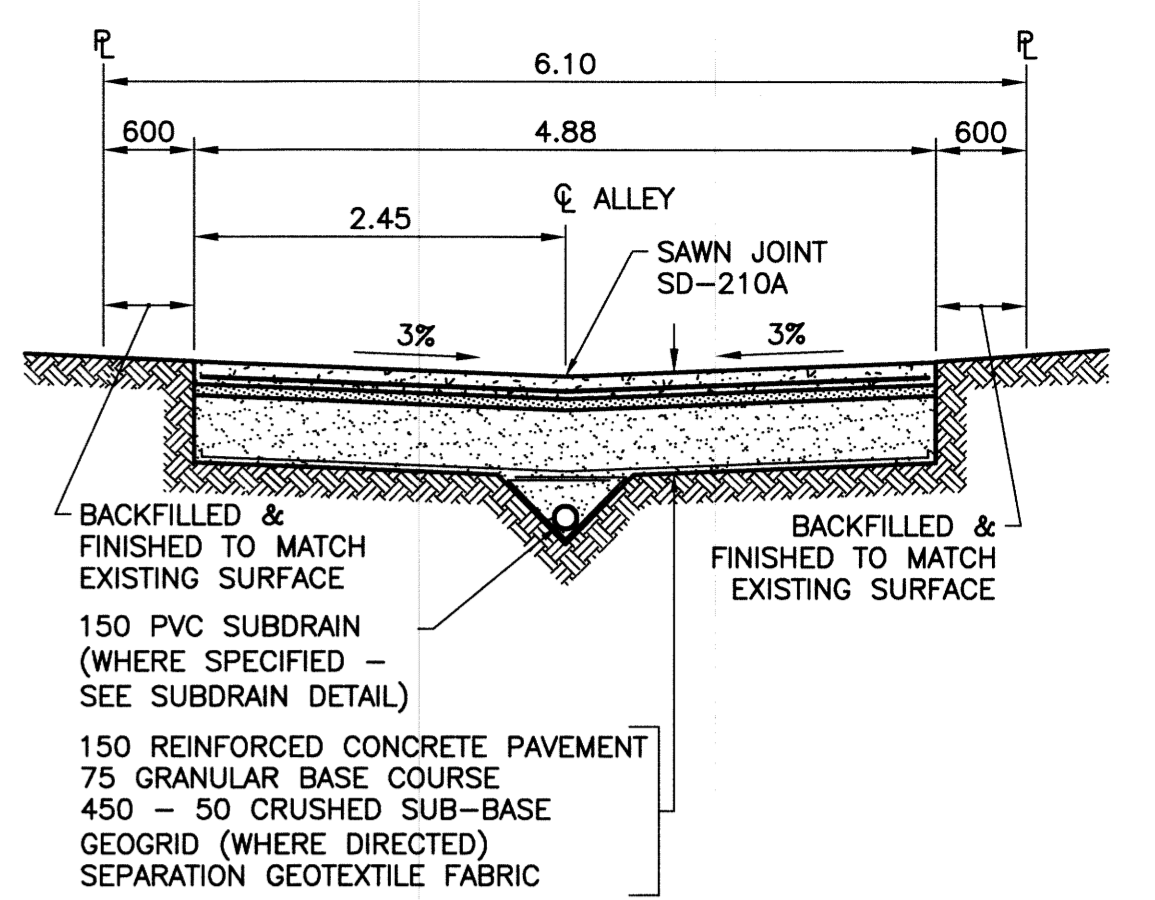
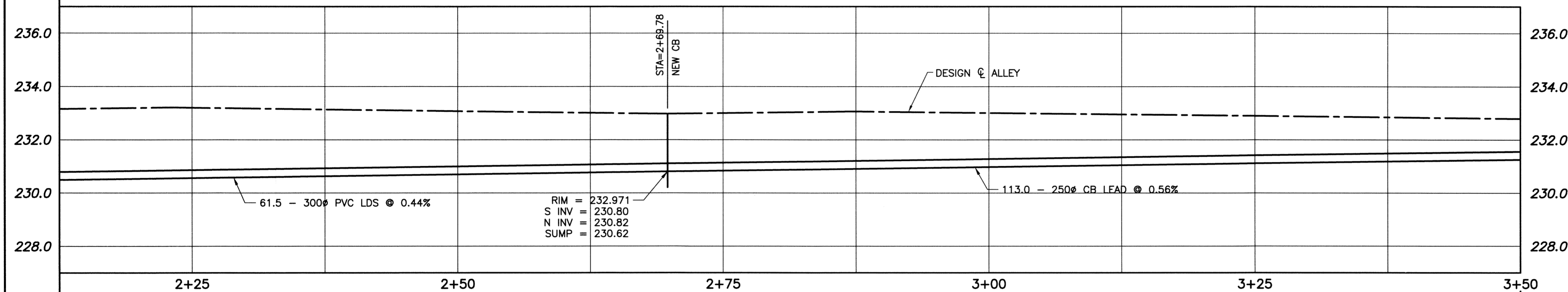


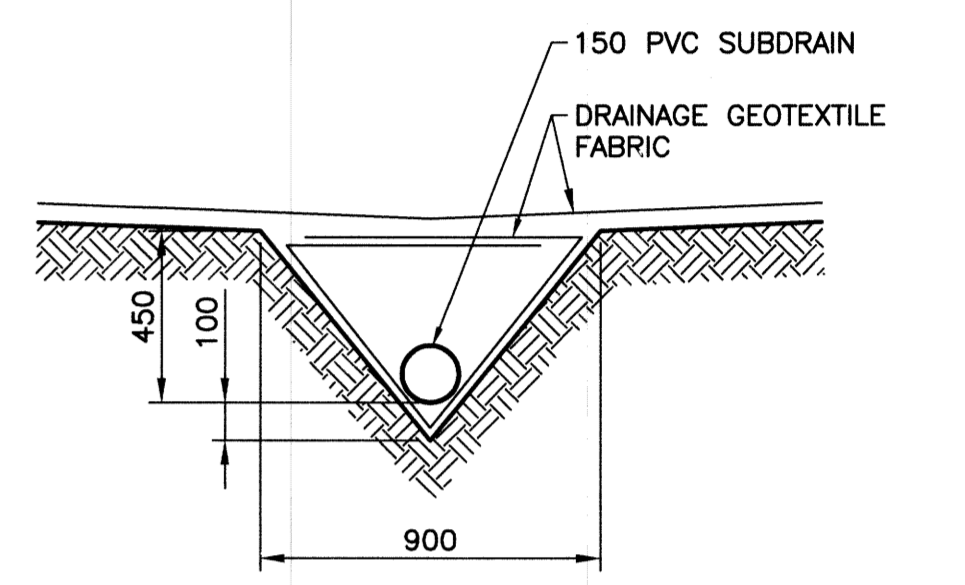
ALLEY PAVEMENT PROFILE
SCALE: 1:250 HOR
1:10 VER



TYPICAL CROSS SECTION
SCALE: 1:50

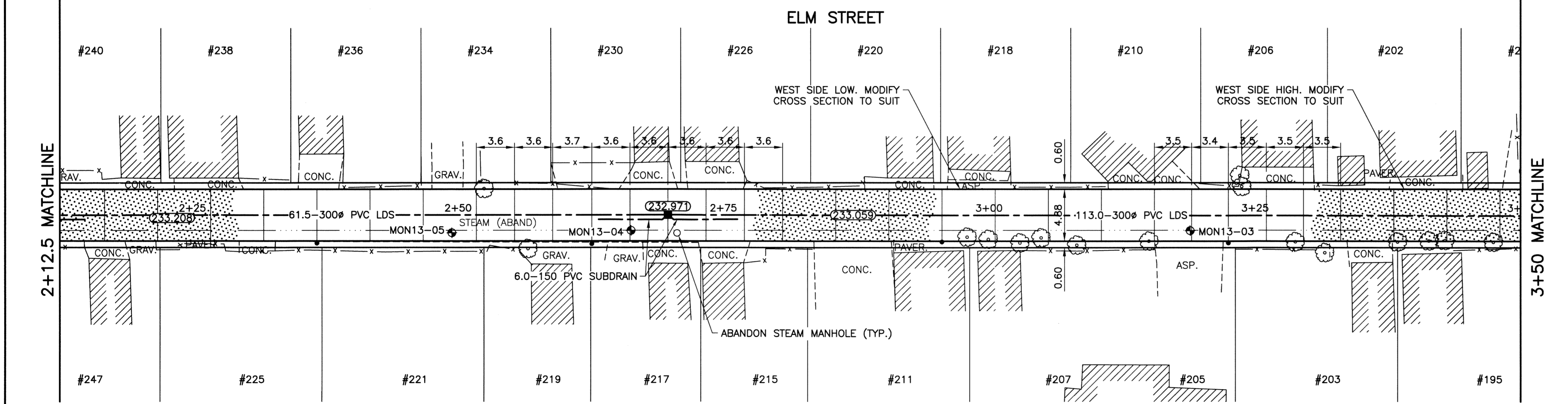


SEWER PROFILE
SCALE: 1:250 HOR
1:100 VER

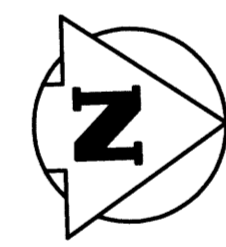


SUBDRAIN DETAIL
SCALE: 1:20

- NOTES:**
1. STATION CHAINAGE IS BASED ON CENTERLINE OF ALLEY RIGHT OF WAY.
 2. ADJUST MH AND CB RIMS TO NEW GRADES.
 3. PLUG SUBDRAINS AT TERMINAL ENDS.
 4. REGRADE EXISTING PRIVATE SIDEWALKS AS REQUIRED.
 5. INSTALLATION OF LIP CURBS AND THEIR EXTENTS TO BE DETERMINED BY THE CONTRACT ADMINISTRATOR.
 6. LIGHT STANDARDS, HYDRO POLES AND ANCHORS MAY REQUIRE TEMPORARY SUPPORT/REMOVAL OR REPLACEMENT AT THE CONTRACTOR'S EXPENSE.
 7. ISOLATE ALL POLES, BASES AND PILES WITHIN ALLEY RIGHT OF WAY (SD-228C)
 8. AVOID DAMAGE TO EXISTING TREES WITHIN THE LIMITS OF CONSTRUCTION.

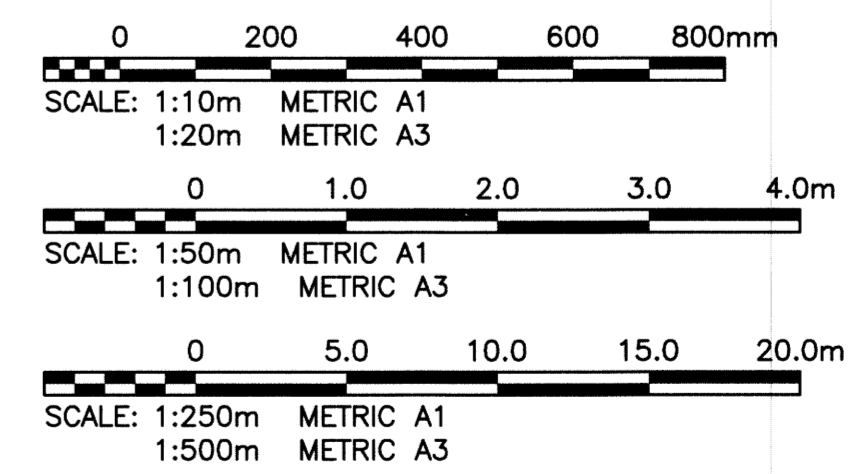


ALLEY PAVEMENT PLAN
SCALE: 1:250 HOR



WARNING
NOTIFY THE GAS COMPANY OF THE PROPOSED LOCATION OF EXCAVATION. TAKE PRECAUTION TO AVOID DAMAGE TO GAS COMPANY INSTALLATIONS. SEE PROVINCIAL REGULATION 210/72 FOR DETAILS.

METRIC
WHOLE NUMBERS INDICATE MILLIMETRES
DECIMALIZED NUMBERS INDICATE METRES



PROPERTY LIMITS DELINEATION
DELINEATION OF PROPERTY LIMITS AS SHOWN ON THIS DWG DOES NOT REPRESENT A "LEGAL SURVEY". KGS GROUP MAKES NO REPRESENTATION OR WARRANTY AS TO THE ACCURACY OF PROPERTY LIMITS DELINEATED ON THIS DWG, NOR ON THE DIMENSIONAL ACCURACY OF DWG FEATURES RELATIVE TO THOSE PROPERTY LIMITS.



300 LDS	LAND DRAINAGE SEWER	300 LDS		TEST HOLE	
250 WWS	WASTE WATER SEWER	250 WWS		GUY WIRE	
	GAS			LIGHT STANDARD	
	HYDRO			BACK OF CURB	
	M.T.S.			CONCRETE	
150 WM	WATERMAIN	150 WM		ASPHALT	
	HYDRANT			SIDEWALK	
	VALVE			PROPERTY LINE	
	MANHOLE			SURVEY BAR	
	CATCH BASIN			GEODETIC BENCHMARK	
	CURB INLET			ELEVATION	
	POLES				
EXISTING	LEGEND-PLAN	PROPOSED	EXISTING	LEGEND-PROFILE	PROPOSED

LOCATION APPROVED UNDERGROUND STRUCTURES

SUPV. U/G STRUCTURES COMMITTEE DATE

NOTE:
LOCATION OF UNDERGROUND STRUCTURES AS SHOWN ARE BASED ON THE BEST INFORMATION AVAILABLE BUT NO GUARANTEE IS GIVEN THAT ALL EXISTING UTILITIES ARE SHOWN OR THAT THE GIVEN LOCATIONS ARE EXACT. CONFIRMATION OF EXISTENCE AND EXACT LOCATION OF ALL SERVICES MUST BE OBTAINED FROM THE INDIVIDUAL UTILITIES BEFORE PROCEEDING WITH CONSTRUCTION.

B.M. 51-040	N.W. Cor. Academy Rd. & Elm St., 19mm x 6.2m I.B. in Valve Box, 2.1m E. of W.L. Elm St. & 0.2m N. of N.L. Academy Rd.
ELEV. 232.591	
NO.	REVISIONS
0	ISSUED FOR TENDER
	DATE
	BY

KGS GROUP CONSULTING ENGINEERS	
DESIGNED BY	GES
CHECKED BY	CR
DRAWN BY	GEL
APPROVED BY	MA
HOR. SCALE:	1:250
VERTICAL:	1:50
RELEASED FOR CONSTRUCTION:	
DATE	13/08/20

ENGINEER'S SEAL

M.C. ROWBOTHAM
REGISTERED PROFESSIONAL ENGINEER

AUGUST 22, 2013

CONSULTANT DRAWING NO.
13-0107-011_002

THE CITY OF WINNIPEG
PUBLIC WORKS DEPARTMENT
TRANSPORTATION ENGINEERING DIVISION

PROJECT TITLE
2013 ALLEY RENEWAL PROGRAM CONTRACT 2
ELM ST/MONTROSE ST
KINGSWAY TO ACADEMY RD
STA 2+12.5 TO STA 3+50

SHEET OF
02 OF **15**

COMPUTER FILE NAME
13-0107-011_CALL

CITY DRAWING NUMBER
0002

P:\Projects\2013\13-0107-011\DocControl\Tobias\DWG\13-0107-011_002-Rev 0.dwg - Tab: 02 Plotted By: GLoewen 08/22/2013 [Thu 3:23pm] PLOT 1:1 A-1