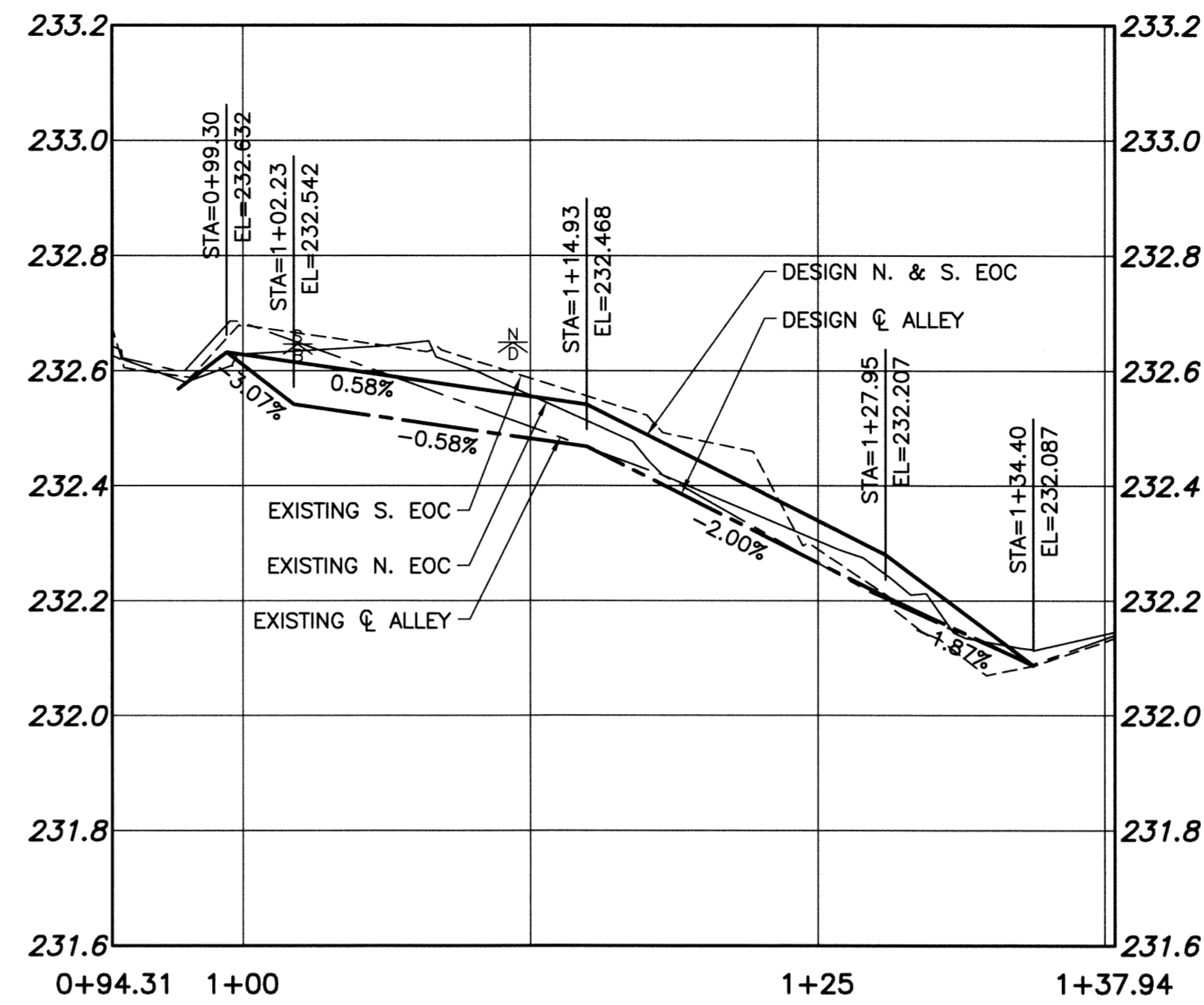


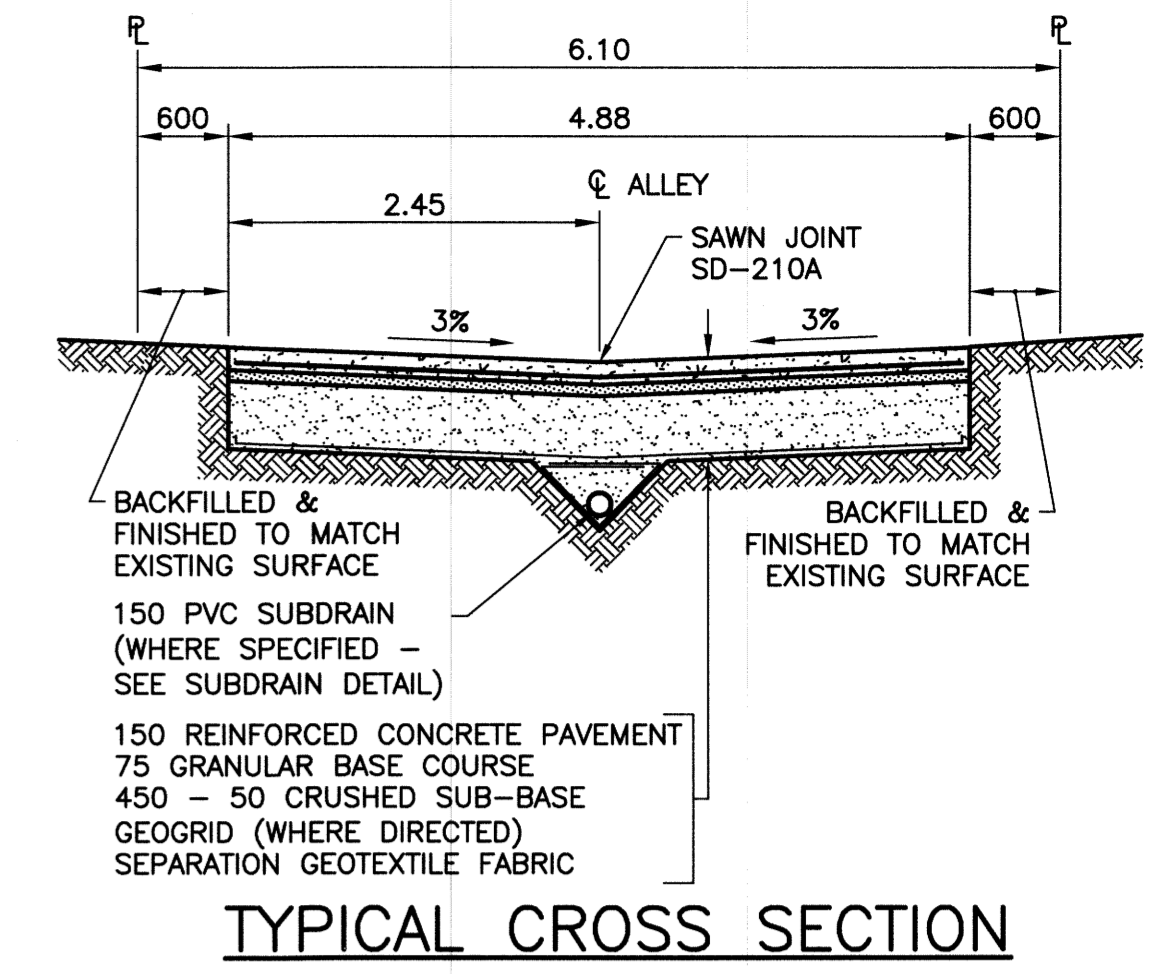
ALLEY PAVEMENT PROFILE

SCALE: 1:250 HOR
1:10 VER



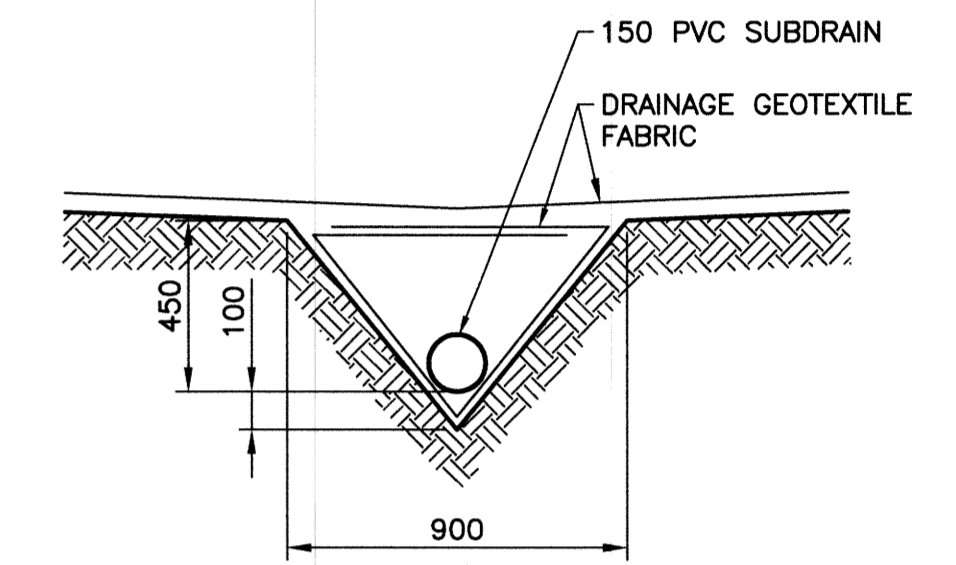
ALLEY PAVEMENT PROFILE

SCALE: 1:250 HOR
1:10 VER



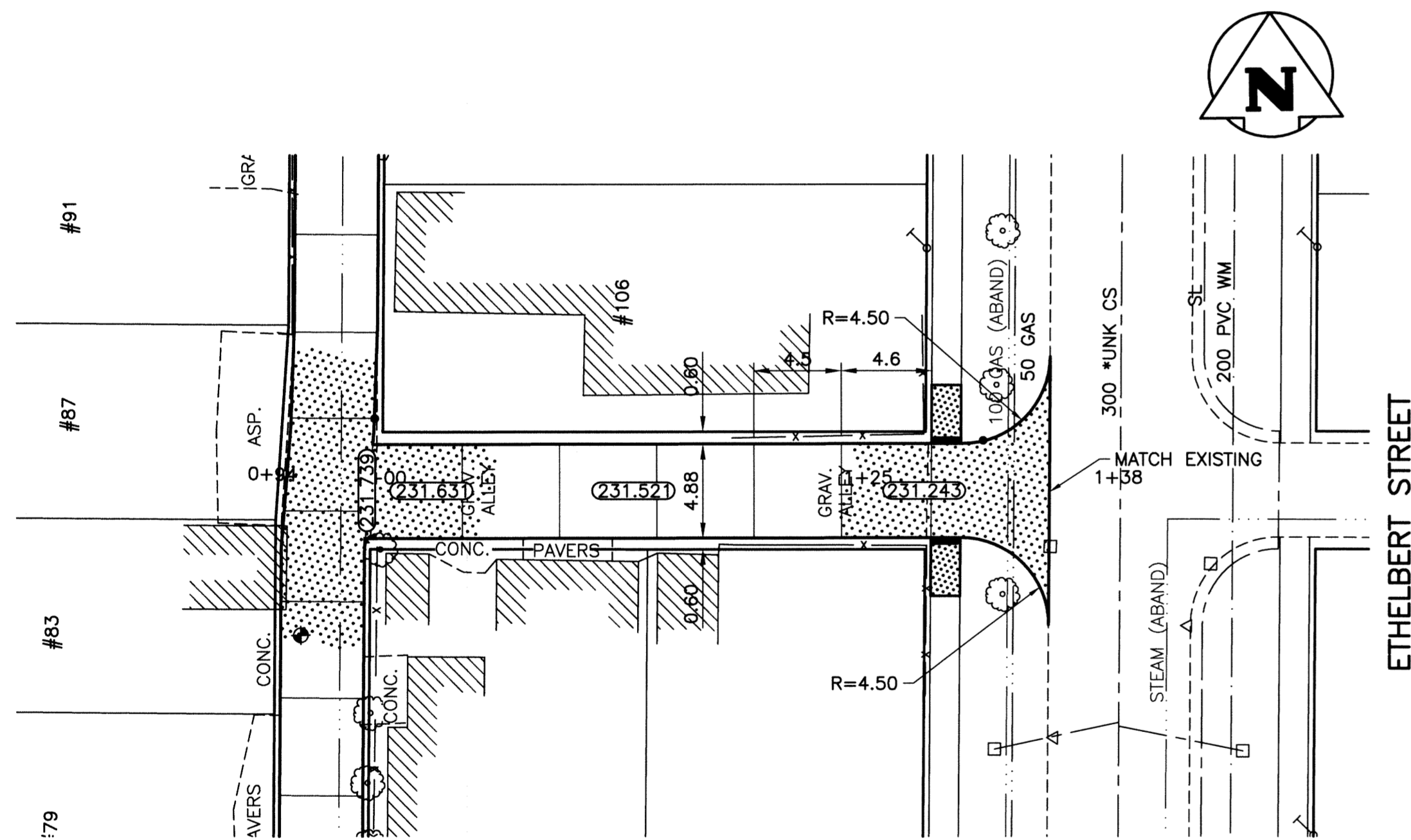
TYPICAL CROSS SECTION

SCALE: 1:50



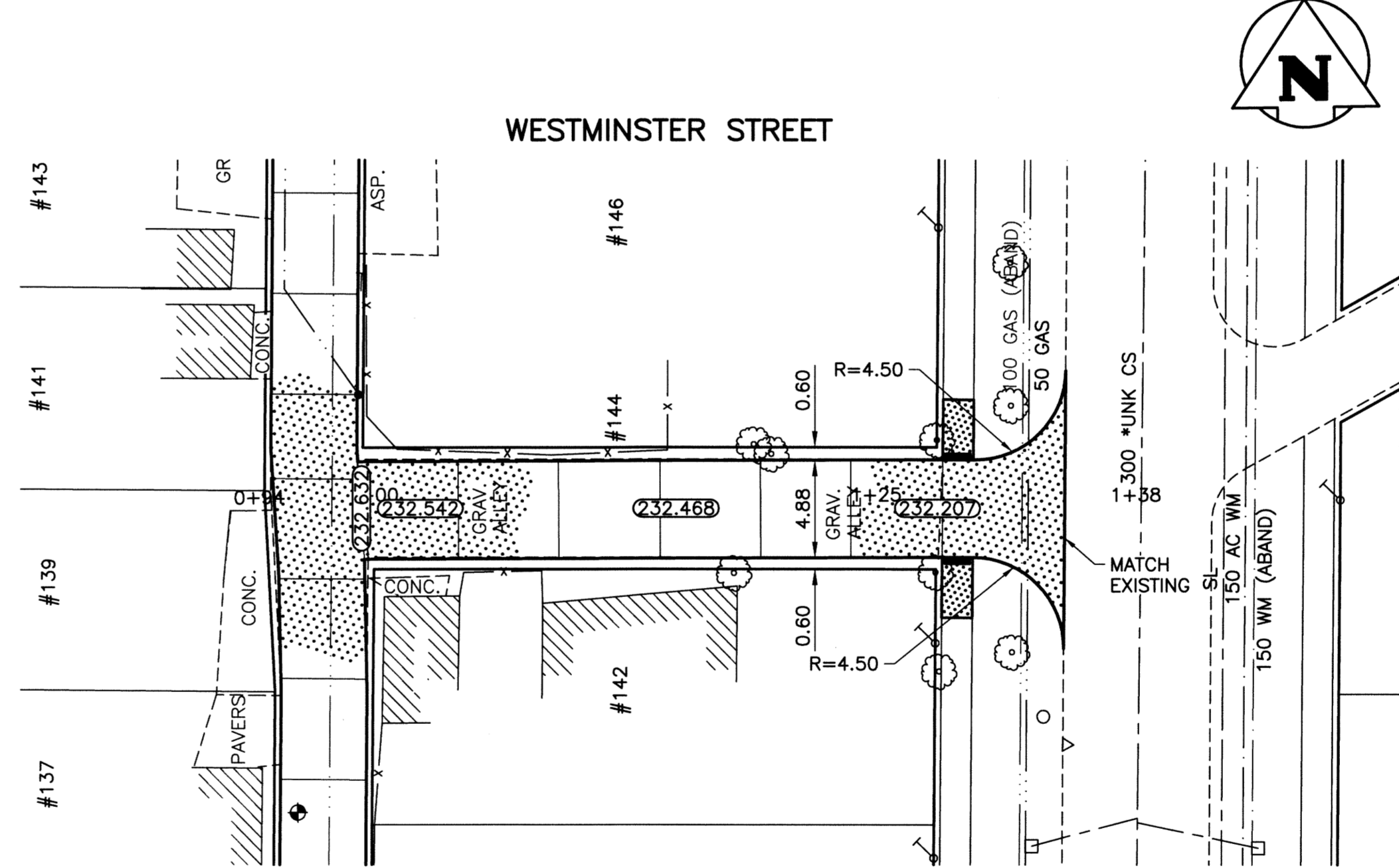
SUBDRAIN DETAIL

SCALE: 1:20



ALLEY PAVEMENT PLAN

SCALE: 1:250 HOR



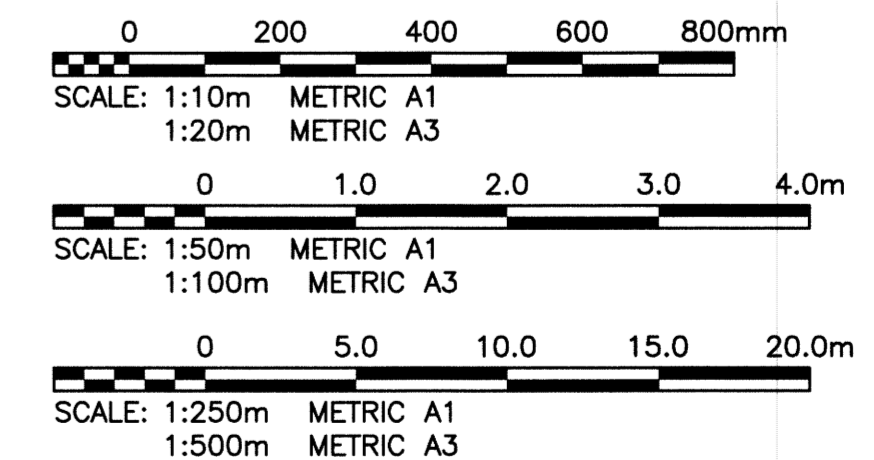
ALLEY PAVEMENT PLAN

SCALE: 1:250 HOR

- NOTES:**
1. STATION CHAINAGE IS BASED ON CENTERLINE OF ALLEY RIGHT OF WAY.
 2. ADJUST MH AND CB RIMS TO NEW GRADES.
 3. PLUG SUBDRAINS AT TERMINAL ENDS.
 4. REGRADE EXISTING PRIVATE SIDEWALKS AS REQUIRED.
 5. INSTALLATION OF LIP CURBS AND THEIR EXTENTS TO BE DETERMINED BY THE CONTRACT ADMINISTRATOR.
 6. LIGHT STANDARDS, HYDRO POLES AND ANCHORS MAY REQUIRE TEMPORARY SUPPORT/REMOVAL OR REPLACEMENT AT THE CONTRACTOR'S EXPENSE.
 7. ISOLATE ALL POLES, BASES AND PILES WITHIN ALLEY RIGHT OF WAY (SD-228C)
 8. AVOID DAMAGE TO EXISTING TREES WITHIN THE LIMITS OF CONSTRUCTION.

WARNING
NOTIFY THE GAS COMPANY OF THE PROPOSED LOCATION OF EXCAVATION. TAKE PRECAUTION TO AVOID DAMAGE TO GAS COMPANY INSTALLATIONS. SEE PROVINCIAL REGULATION 210/72 FOR DETAILS.

METRIC
WHOLE NUMBERS INDICATE MILLIMETRES
DECIMALIZED NUMBERS INDICATE METRES



PROPERTY LIMITS DELINEATION
DELINEATION OF PROPERTY LIMITS AS SHOWN ON THIS DWG DOES NOT REPRESENT A "LEGAL SURVEY". KGS GROUP MAKES NO REPRESENTATION OR WARRANTY AS TO THE ACCURACY OF PROPERTY LIMITS DELINEATED ON THIS DWG, NOR ON THE DIMENSIONAL ACCURACY OF DWG FEATURES RELATIVE TO THOSE PROPERTY LIMITS.



300 LDS	LAND DRAINAGE SEWER	300 LDS							
250 WWS	WASTE WATER SEWER	250 WWS		TEST HOLE					
	GAS			GUY WIRE					
	HYDRO			LIGHT STANDARD					
	M.T.S.			BACK OF CURB					
150 WM	WATERMAIN	150 WM		CONCRETE					
	HYDRANT			ASPHALT					
	VALVE			SIDEWALK					
	MANHOLE			PROPERTY LINE					
	CATCH BASIN			SURVEY BAR					
	CURB INLET			GEODETIC BENCHMARK					
	POLES			ELEVATION					
EXISTING	LEGEND-PLAN	PROPOSED	EXISTING	LEGEND-PROFILE	PROPOSED	EXISTING	LEGEND-PROFILE	PROPOSED	

LOCATION APPROVED UNDERGROUND STRUCTURES

SUPV. U/G STRUCTURES DATE COMMITTEE

NOTE:
LOCATION OF UNDERGROUND STRUCTURES AS SHOWN ARE BASED ON THE BEST INFORMATION AVAILABLE BUT NO GUARANTEE IS GIVEN THAT ALL EXISTING UTILITIES ARE SHOWN OR THAT THE GIVEN LOCATIONS ARE EXACT. CONFIRMATION OF EXISTENCE AND EXACT LOCATION OF ALL SERVICES MUST BE OBTAINED FROM THE INDIVIDUAL UTILITIES BEFORE PROCEEDING WITH CONSTRUCTION.

B.M. 37-103
ELEV. 230.733
89R586 - S.E. Cor. Wolseley Ave. & Palmerston Ave.
Tbt. on top of 0.05m² x 2.4m iron pipe, 2.5m W. of E.L. Palmerston Ave. & on S.L. of Wolseley Ave.

ISSUED FOR TENDER	13/08/22	CR
NO. REVISIONS	DATE	BY

DESIGNED BY	GES	CHECKED BY	CR
DRAWN BY	GEL	APPROVED BY	MB
HOR. SCALE:	1:250	RELEASED FOR CONSTRUCTION:	
VERTICAL:	1:50	DATE	13/08/20

KGS GROUP
CONSULTING ENGINEERS
ENGINEER'S SEAL
M.C. ROWBOTHAM
22879
August 22, 2013

THE CITY OF WINNIPEG
PUBLIC WORKS DEPARTMENT
TRANSPORTATION ENGINEERING DIVISION
PROJECT TITLE
2013 ALLEY RENEWAL PROGRAM
CONTRACT 2
WOLSELEY AVE SOUTH & WESTMINSTER AVE NORTH
HOME ST TO ETHELBERT ST
CITY DRAWING NUMBER
0011

11 OF 15
COMPUTER FILE NAME
13-0107-011_CALL
CONSULTANT DRAWING NO.
13-0107-011_C11