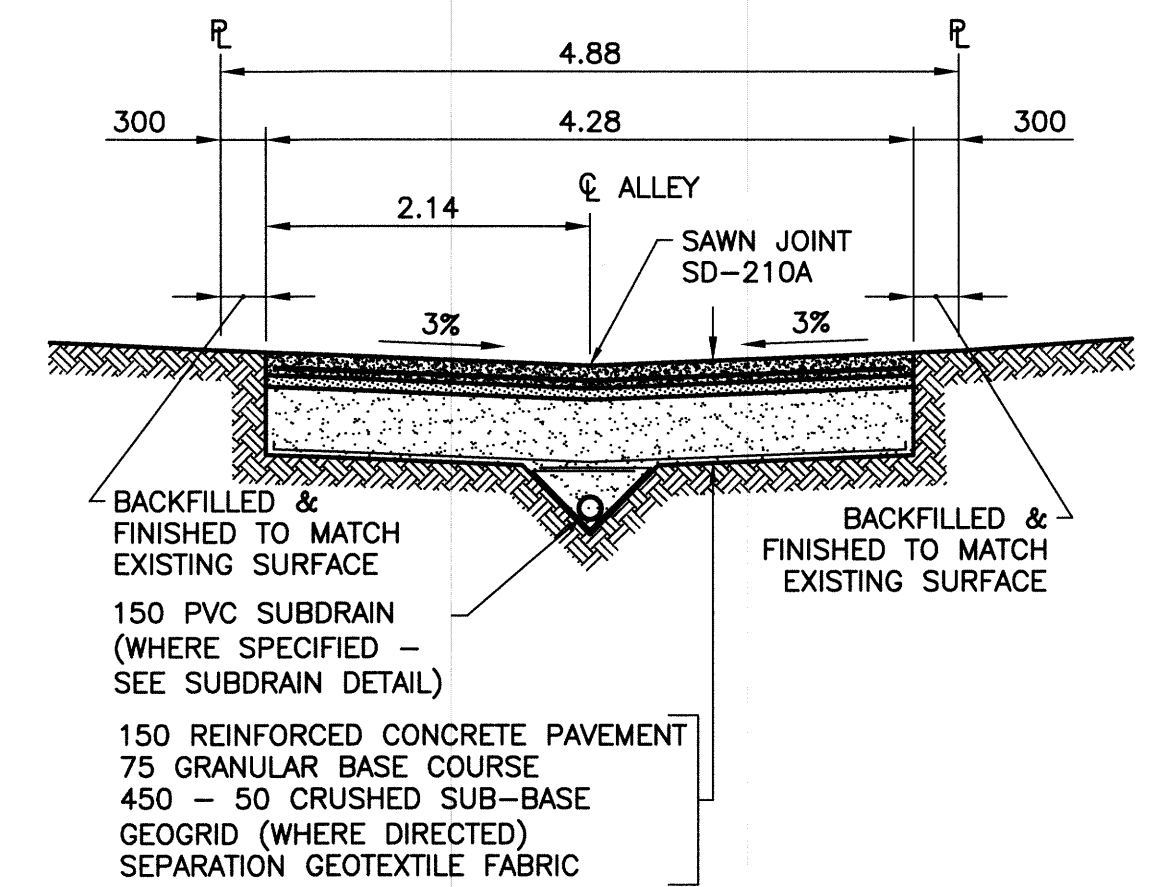
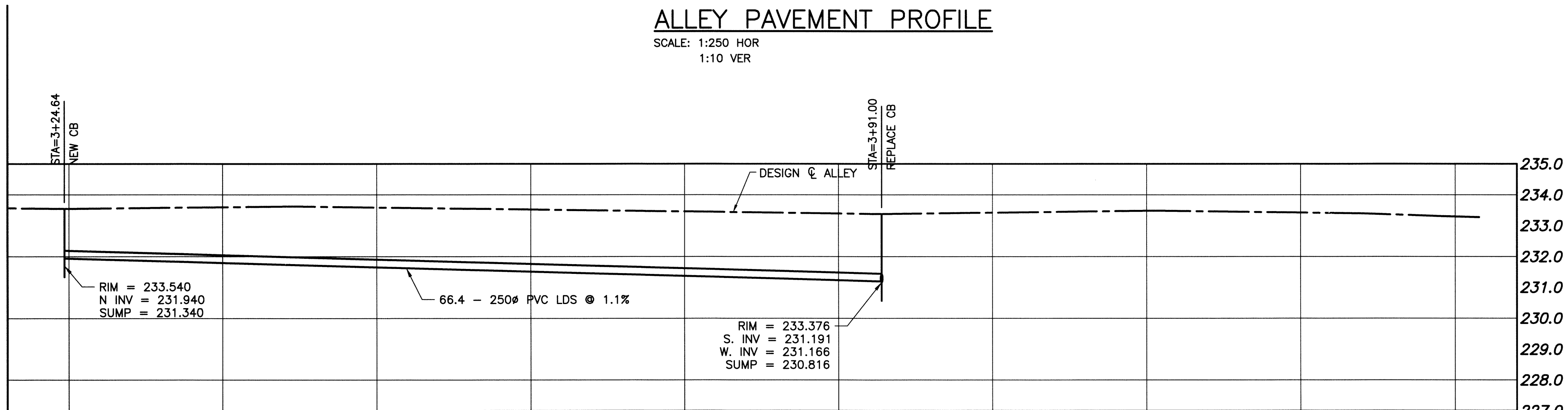


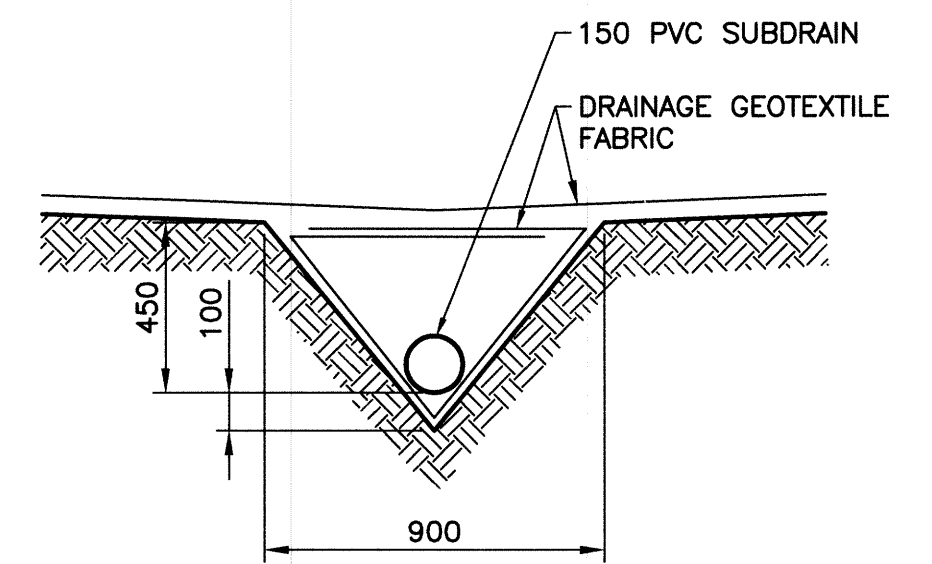
ALLEY PAVEMENT PROFILE
SCALE: 1:250 HOR
1:10 VER



TYPICAL CROSS SECTION
SCALE: 1:50



SEWER PROFILE
SCALE: 1:250 HOR
1:10 VER



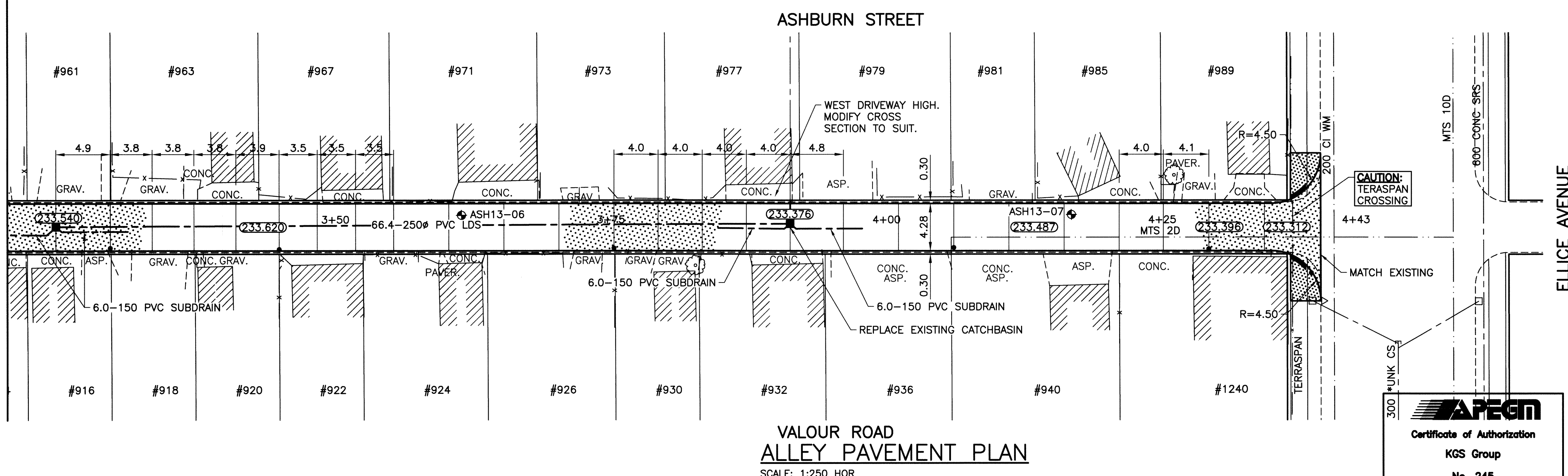
SUBDRAIN DETAIL
SCALE: 1:20

- NOTES:**
1. STATION CHAINAGE IS BASED ON CENTERLINE OF ALLEY RIGHT OF WAY.
 2. ADJUST MH AND CB RIMS TO NEW GRADES.
 3. PLUG SUBDRAINS AT TERMINAL ENDS.
 4. REGRADE EXISTING PRIVATE SIDEWALKS AS REQUIRED.
 5. INSTALLATION OF LIP CURBS AND THEIR EXTENTS TO BE DETERMINED BY THE CONTRACT ADMINISTRATOR.
 6. LIGHT STANDARDS, HYDRO POLES AND ANCHORS MAY REQUIRE TEMPORARY SUPPORT/REMOVAL OR REPLACEMENT AT THE CONTRACTOR'S EXPENSE.
 7. ISOLATE ALL POLES, BASES AND PILES WITHIN ALLEY RIGHT OF WAY (SD-228C)
 8. AVOID DAMAGE TO EXISTING TREES WITHIN THE LIMITS OF CONSTRUCTION.

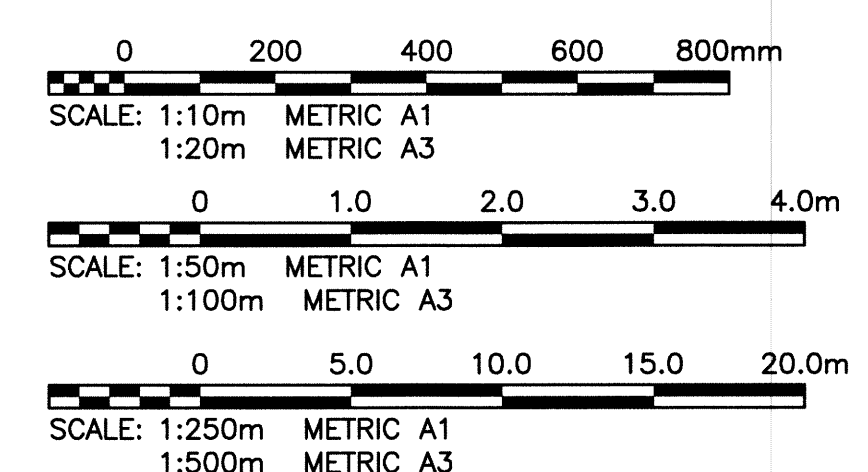
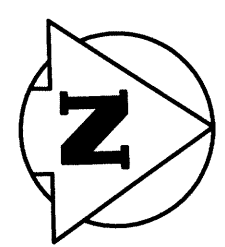
WARNING
NOTIFY THE GAS COMPANY OF THE PROPOSED LOCATION OF EXCAVATION. TAKE PRECAUTION TO AVOID DAMAGE TO GAS COMPANY INSTALLATIONS. SEE PROVINCIAL REGULATION 210/72 FOR DETAILS.

METRIC
WHOLE NUMBERS INDICATE MILLIMETRES
DECIMALIZED NUMBERS INDICATE METRES

PROPERTY LIMITS DELINEATION
DELINEATION OF PROPERTY LIMITS AS SHOWN ON THIS DWG DOES NOT REPRESENT A "LEGAL SURVEY". KGS GROUP MAKES NO REPRESENTATION OR WARRANTY AS TO THE ACCURACY OF PROPERTY LIMITS DELINEATED ON THIS DWG, NOR ON THE DIMENSIONAL ACCURACY OF DWG FEATURES RELATIVE TO THOSE PROPERTY LIMITS.



VALOUR ROAD ALLEY PAVEMENT PLAN
SCALE: 1:250 HOR



300 LBS	LAND DRAINAGE SEWER	300 LBS	TEST HOLE
250 WWS	WASTE WATER SEWER	250 WWS	GUY WIRE
---	GAS	---	LIGHT STANDARD
---	HYDRO	---	BACK OF CURB
---	M.T.S.	---	CONCRETE
150 WM	WATERMAIN	150 WM	ASPHALT
+	HYDRANT	+	SIDEWALK
⊗	VALVE	⊗	PROPERTY LINE
○	MANHOLE	○	SURVEY BAR
□	CATCH BASIN	□	GEODETIC BENCHMARK
▽	CURB INLET	▽	ELEVATION
•	POLES	•	EXISTING
---	EXISTING	---	PROPOSED

LOCATION APPROVED UNDERGROUND STRUCTURES
SUPV. U/G STRUCTURES DATE COMMITTEE

NOTE:
LOCATION OF UNDERGROUND STRUCTURES AS SHOWN ARE BASED ON THE BEST INFORMATION AVAILABLE BUT NO GUARANTEE IS GIVEN THAT THE GIVEN LOCATIONS ARE EXACT. CONFIRMATION OF EXISTENCE AND EXACT LOCATION OF ALL SERVICES MUST BE OBTAINED FROM THE INDIVIDUAL UTILITIES BEFORE PROCEEDING WITH CONSTRUCTION.

B.M. 37-003	ELEV. 233.449	Bolt in 7.3m Conc. pile, 0.3m N. of N.L.
DESIGNED BY	GES	CHECKED BY
DRAWN BY	GEL	APPROVED BY
HOR. SCALE:	1:250	RELEASED FOR CONSTRUCTION:
VERTICAL:	1:50	DATE
ISSUED FOR TENDER	13/08/22	DATE
NO. REVISIONS	DATE	BY

KGS GROUP CONSULTING ENGINEERS
Certificate of Authorization
KGS Group
No. 245

ENGINEER'S SEAL
M.C. ROWBOTHAM
Member 22678
August 22, 2013

THE CITY OF WINNIPEG PUBLIC WORKS DEPARTMENT TRANSPORTATION ENGINEERING DIVISION

PROJECT TITLE: **2013 ALLEY RENEWAL PROGRAM CONTRACT 2**

STATIONING: **ASHBURN ST/VALOUR RD ST MATTHEWS AVE TO ELLICE AVE STA 3+20 TO ELLICE AVE**

DATE: **13-0107-011_CALL**

CITY DRAWING NUMBER: **0014**

P:\Projects\2013\13-0107-011\Doc.Control\ToBasisue\DWG\13-0107-011_C14-Rev 0.dwg - Tab: 14 Plotted By: G. Green 08/22/2013 [Thu 3:37pm] PLOT: 1:1 A-1