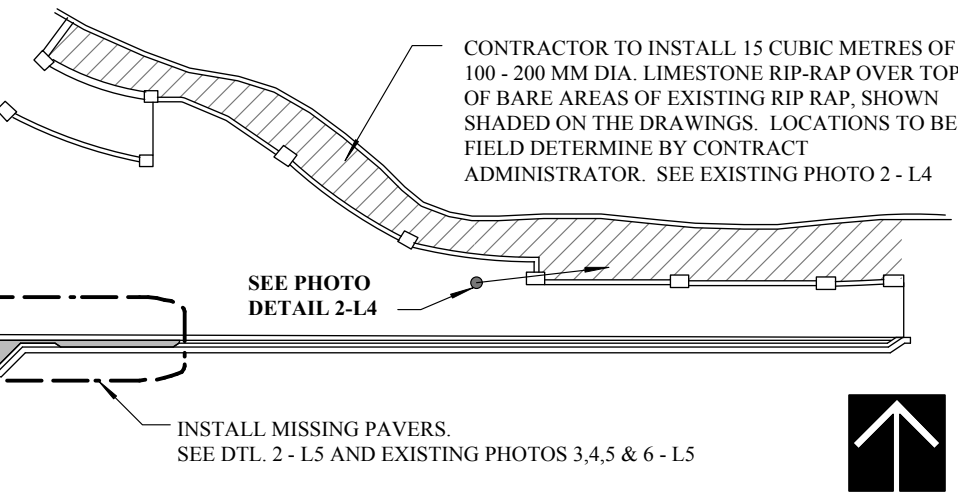


INSTALL 2 ROWS OF MISSING MAGANESE ENDICOTT PAVERS. SEE DTL. EXISTING PHOTO 5-L4

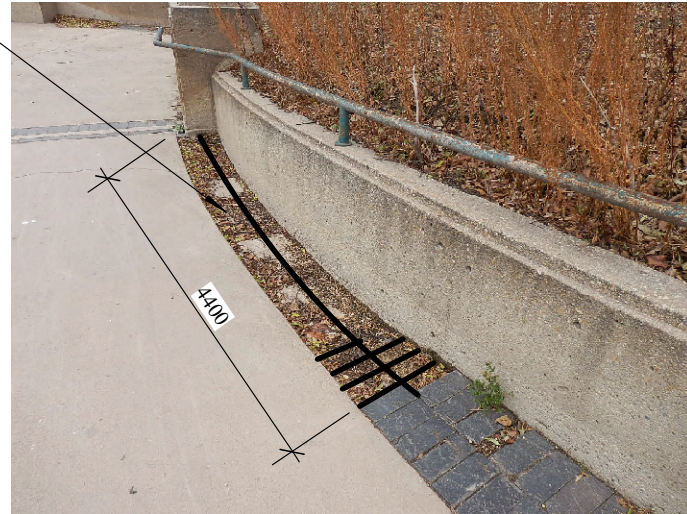
INSTALL MISSING PAVERS AND RESET ALL OTHERS IN THIS AREA. SEE DTL. 2-L6 AND EXISTING PHOTOS 3, 4-L6

INSTALL 2 ROWS OF MISSING MAGANESE ENDICOTT PAVERS. SEE DTL. EXISTING PHOTO 6-L4



1 LEGISLATIVE DOCK AREA SITE PLAN
L4 Scale: 1:500

REMOVE EXISTING DEBRIS. SUPPLY AND INSTALL TWO ROWS OF MAGANESE IRONSPORT PAVERS TO MATCH EXISTING PAVERS. TOTAL 98 PAVERS.



5 EXISTING PHOTO - MISSING PAVERS
L4 Scale: 1:200

REMOVE EXISTING DEBRIS. SUPPLY AND INSTALL TWO ROWS OF MAGANESE IRONSPORT PAVERS TO MATCH EXISTING PAVERS.



6 EXISTING PHOTO - MISSING PAVERS
L4 Scale: 1:200



2 EXISTING PHOTO - MISSING RIP-RAP
L4 Scale: 1:200

SAWCUT AND GRIND CONCRETE DAMAGE SMOOTH AND TO A HORIZONTAL HORIZONTAL LINE



MISSING GRANITE SLAB - REMOVE OLD MORTAR TO CREATE RECESSED POCKET FOR NEW SLAB



EXISTING UNDAMAGED GRANITE. NOTE: SAND BLASTING OF NEW IMAGE IS NOT INCLUDED IN THE CONTRACT.

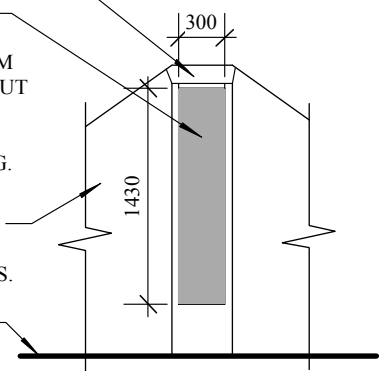
4 EXISTING PHOTO - MISSING AND EXISTING GRANITE SLAB
L4 Scale: 1:200

SAWCUT AND GRIND DAMAGE CONCRETE TOP

CONTRACTOR TO SUPPLY AND INSTALL A ONE PIECE, 30 MM THICK, BLACK GRANITE SLAB TO MATCH EXISTING GRANITE SLABS. PROVIDE 6 MM CHAMFER EDGE AROUND ALL 4 EDGES. CHISEL OUT OLD RESIDUAL GROUT/ADHESIVE TO CREATE RECESSED SLOT, AND MORTAR IN NEW SLAB. CONFIRM SIZE OF GRANITE PRIOR TO INSTALLING.

EXISTING CONCRETE WALL. SAWCUT DAMAGED TOP HORIZONTAL AND GRIND SMOOTH. MINIMIZE CONCRETE REMOVAL/SLOPE UPWARDS.

FINISH GRADE



3 GRANITE SLAB ELEVATION
L4 Scale: 1:50

PROJECT TITLE
CITY OF WINNIPEG

ASSINIBOINE RIVERWALK FLOOD REPAIRS RESTORATION 2012

DRAWING TITLE
LEGISLATIVE DOCK AREA

KEN RECH LANDSCAPE ARCHITECTS INC.
1480 Wellington Crescent Winnipeg Manitoba
Email kenrech@mymts.net R3N 0B3 Tel(204) 489-6616

NO.	REVISIONS	BY	DATE
DRAWN BY K. RECH		SCALE as noted	
PRINT DATE		DATE Sept. 3, 2013	
FILE NO. 12-23		REVISION 0	
			L4