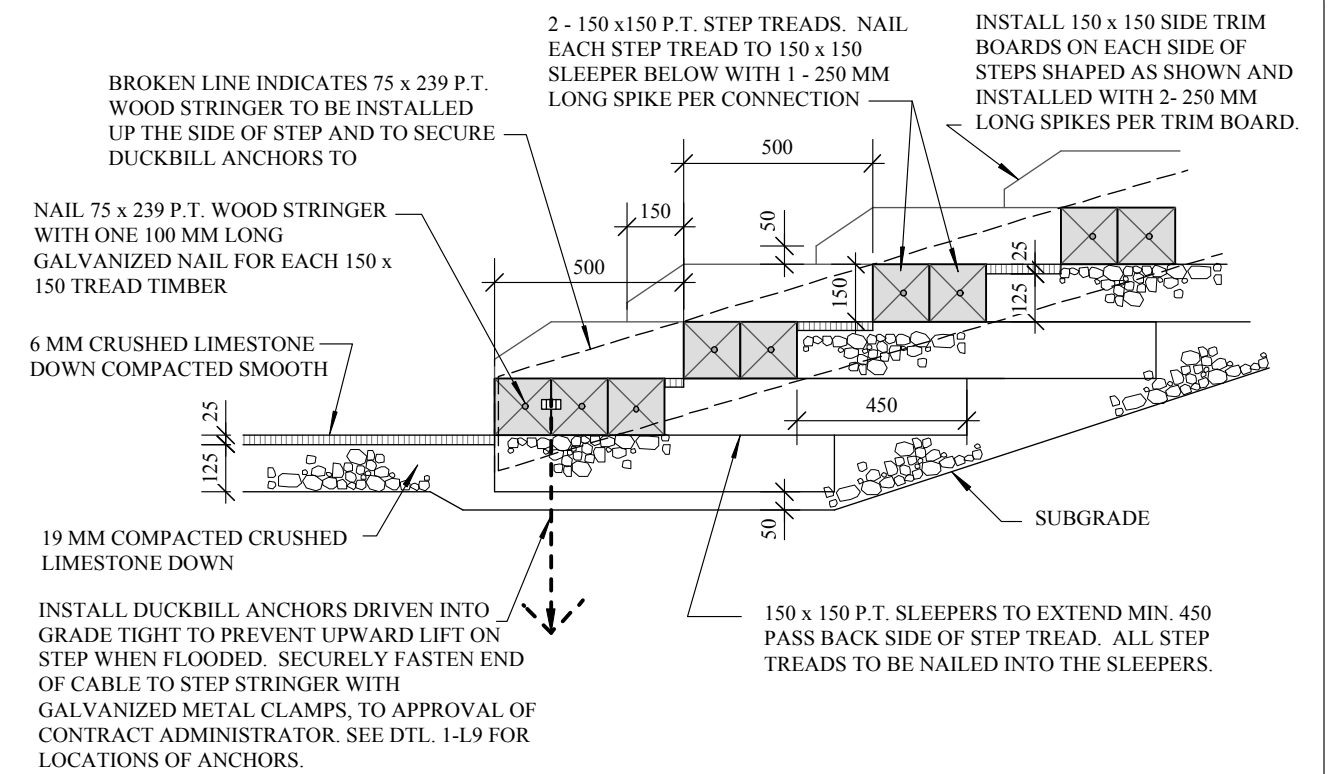
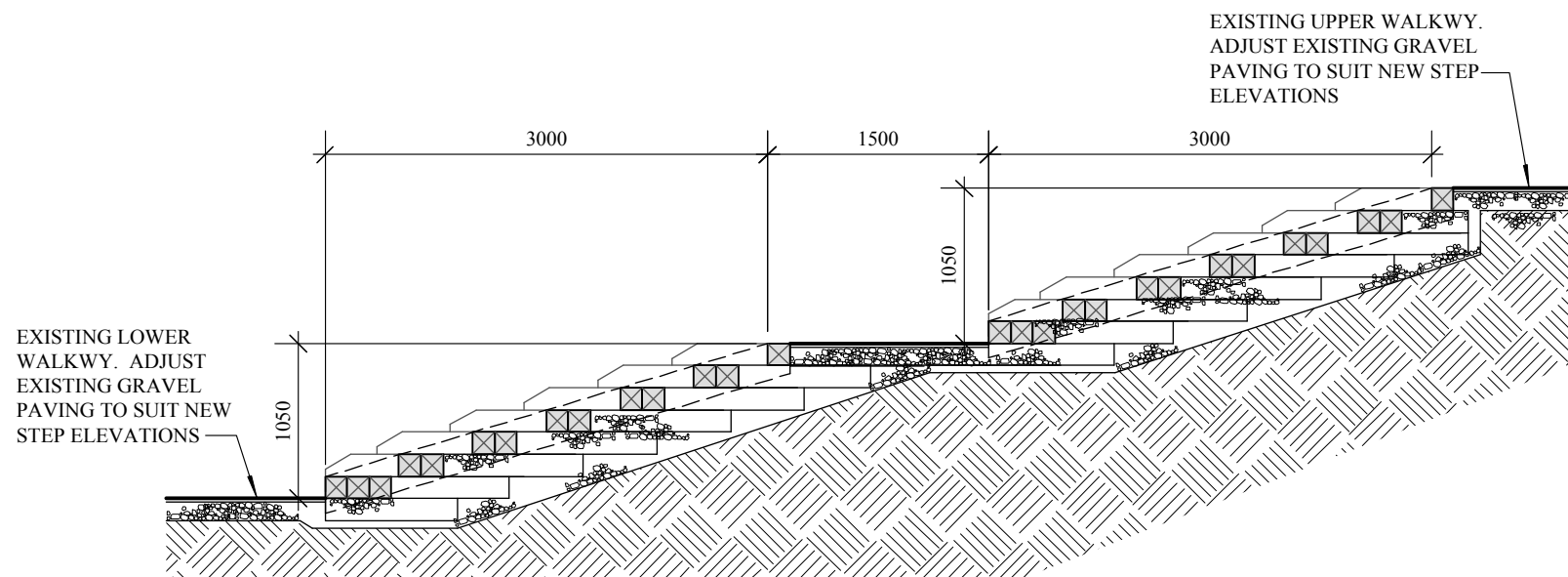


1 WOOD STEP PLAN VIEW
L9 Scale: 1:50



3 WOOD STEP SECTION DETAIL
L9 Scale: 1:20



2 WOOD STEP SECTION
L9 Scale: 1:50



NOTE: THE EXISTING STEPS DO NOT HAVE A 75 x 239 SIDE STRINGER. NEW STEP TO HAVE STRINGERS INSTALLED ON ALL SIDES FOR ANCHORING UNDERGROUND DUCKBILL ANCHORS TO.

4 EXISTING PHOTO - EAST WOOD STEPS
L9 Scale: 1:200

PROJECT TITLE CITY OF WINNIPEG ASSINIBOINE RIVERWALK FLOOD REPAIRS RESTORATION 2012	DRAWING TITLE BONNEycastle PARK AMPHITHEATRE - WOOD STEPS KEN RECH LANDSCAPE ARCHITECTS INC. 1480 Wellington Crescent Winnipeg Manitoba Email kenrech@mymts.net R3N 0B3 Tel(204) 489-6616	NO.	REVISIONS	BY	DATE		
		DRAWN BY K. RECH		SCALE as noted	SHEET NO.		
		PRINT DATE		DATE Sept. 3, 2013		L9	
		FILE NO. 12-23		REVISION 0			