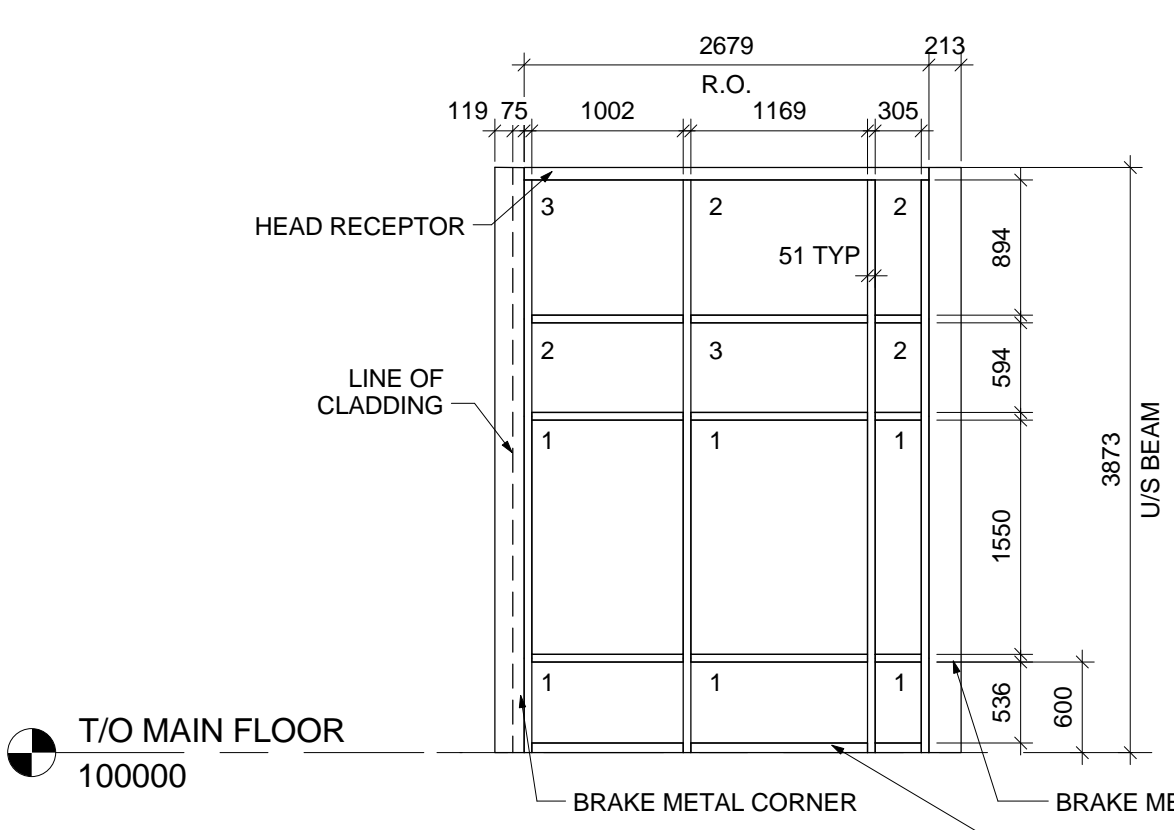


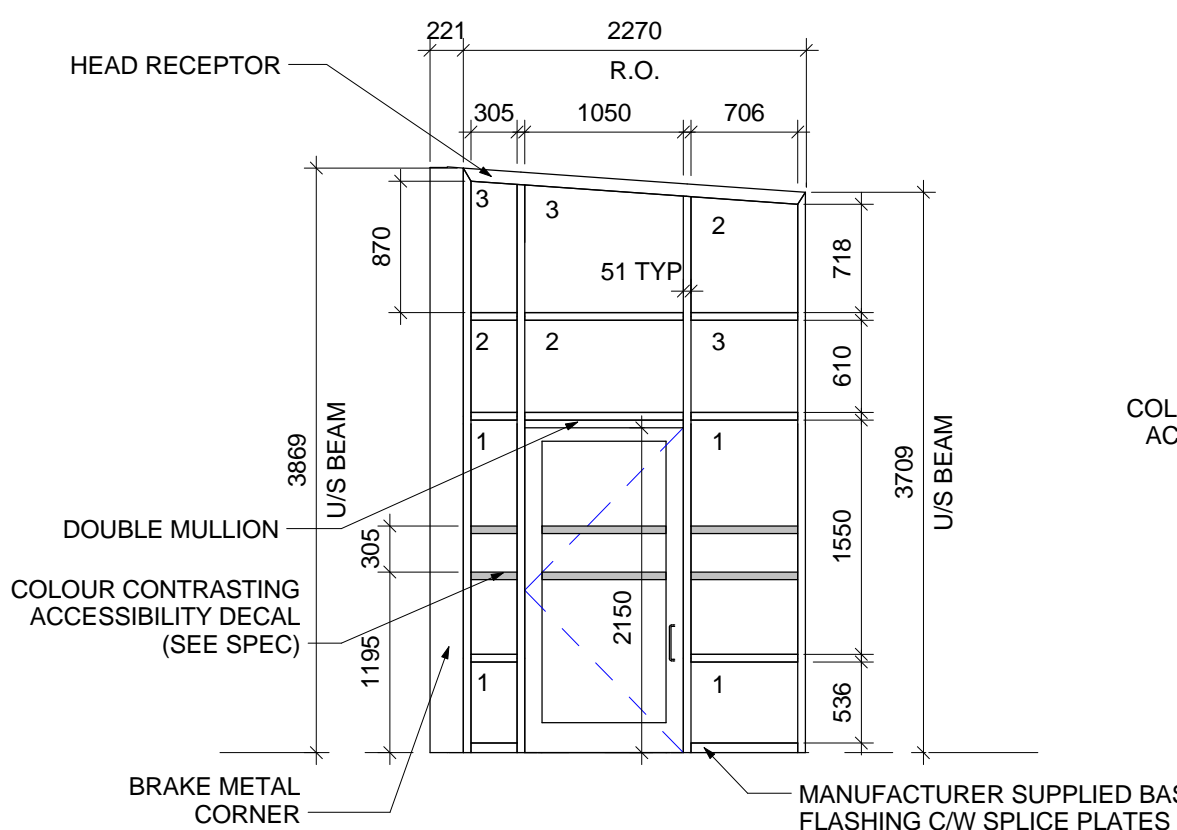
WINDOW TYPE LEGEND

1	CLEAR
2	GREEN
3	SANDBLASTED

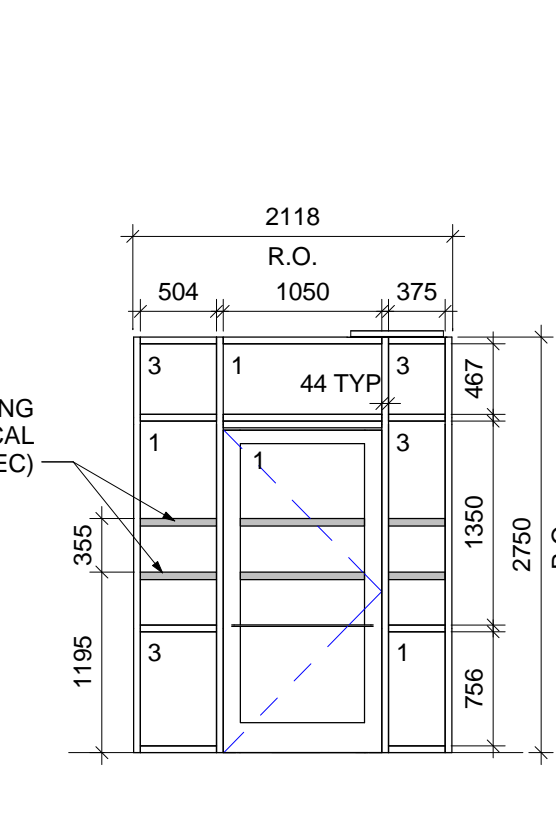
1 GLAZING ELEVATION - WEST
1:50



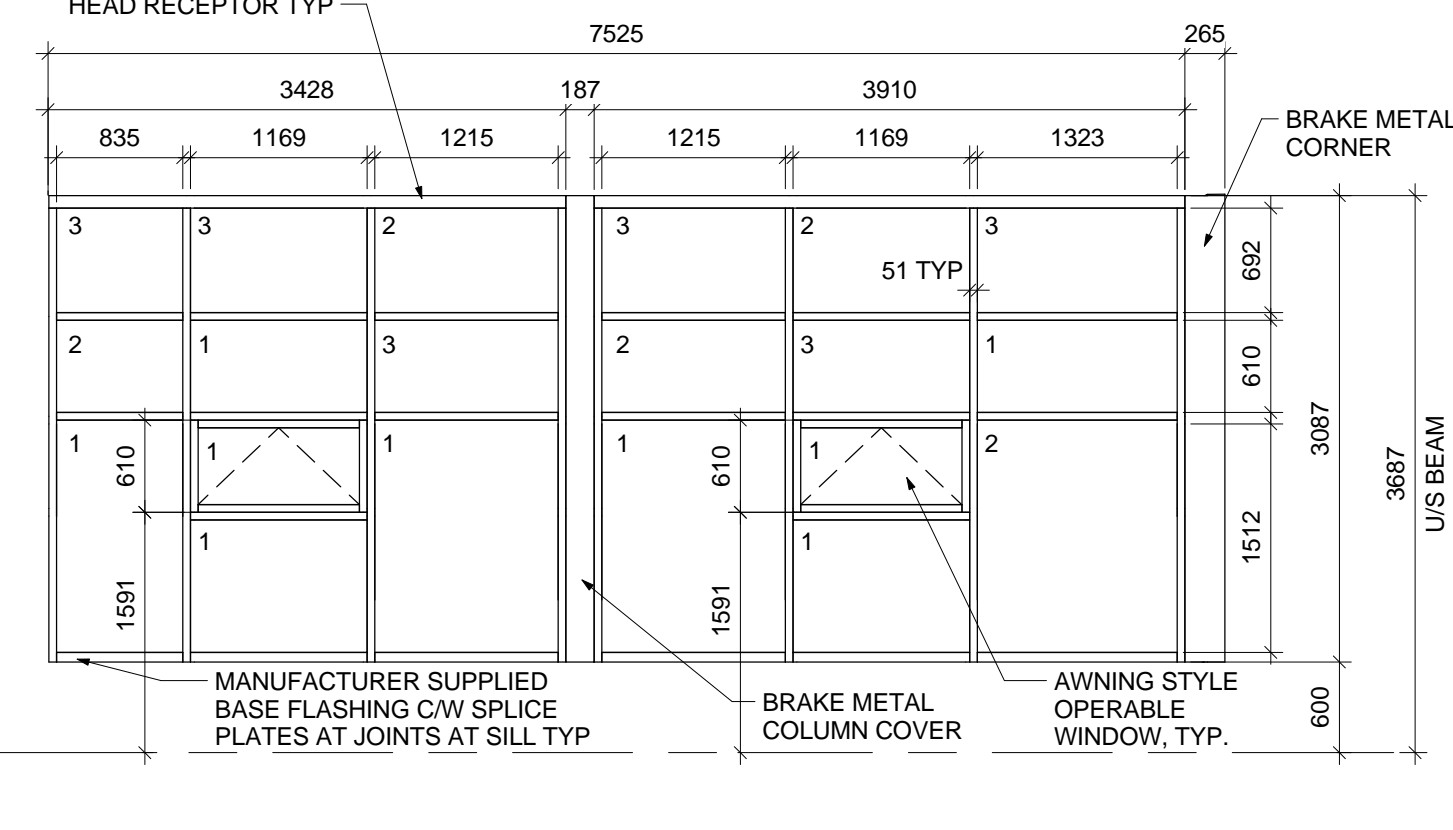
2 GLAZING ELEVATION - 107 NORTH
1:50



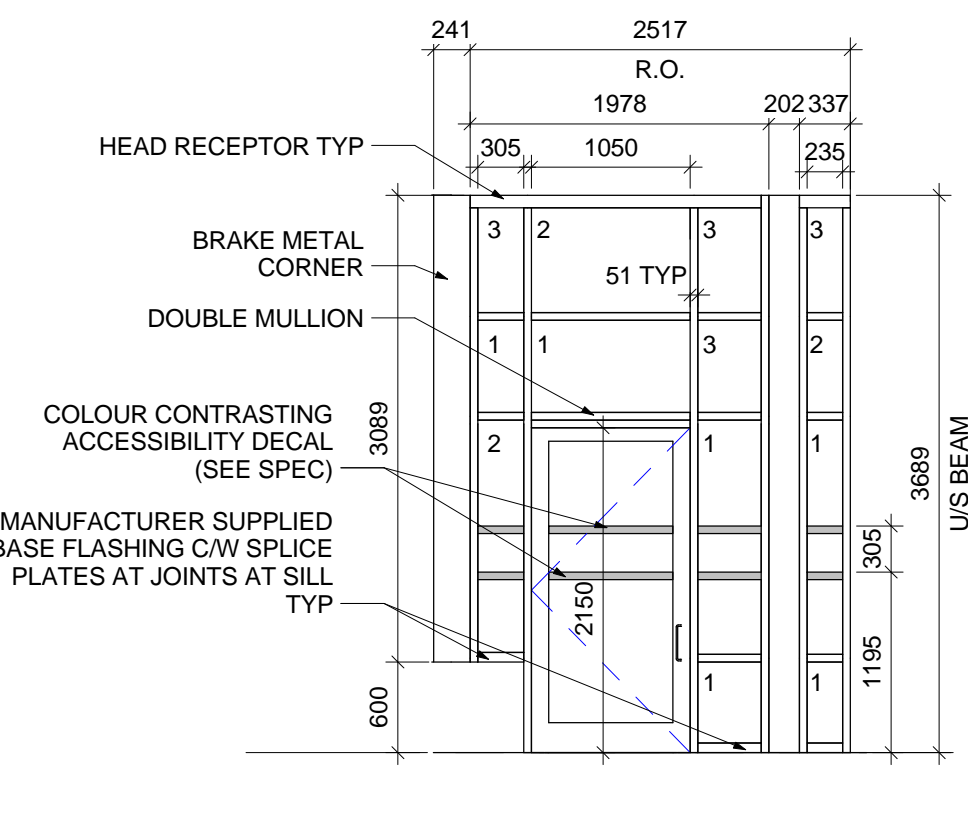
3 GLAZING ELEVATION - 107 WEST
1:50



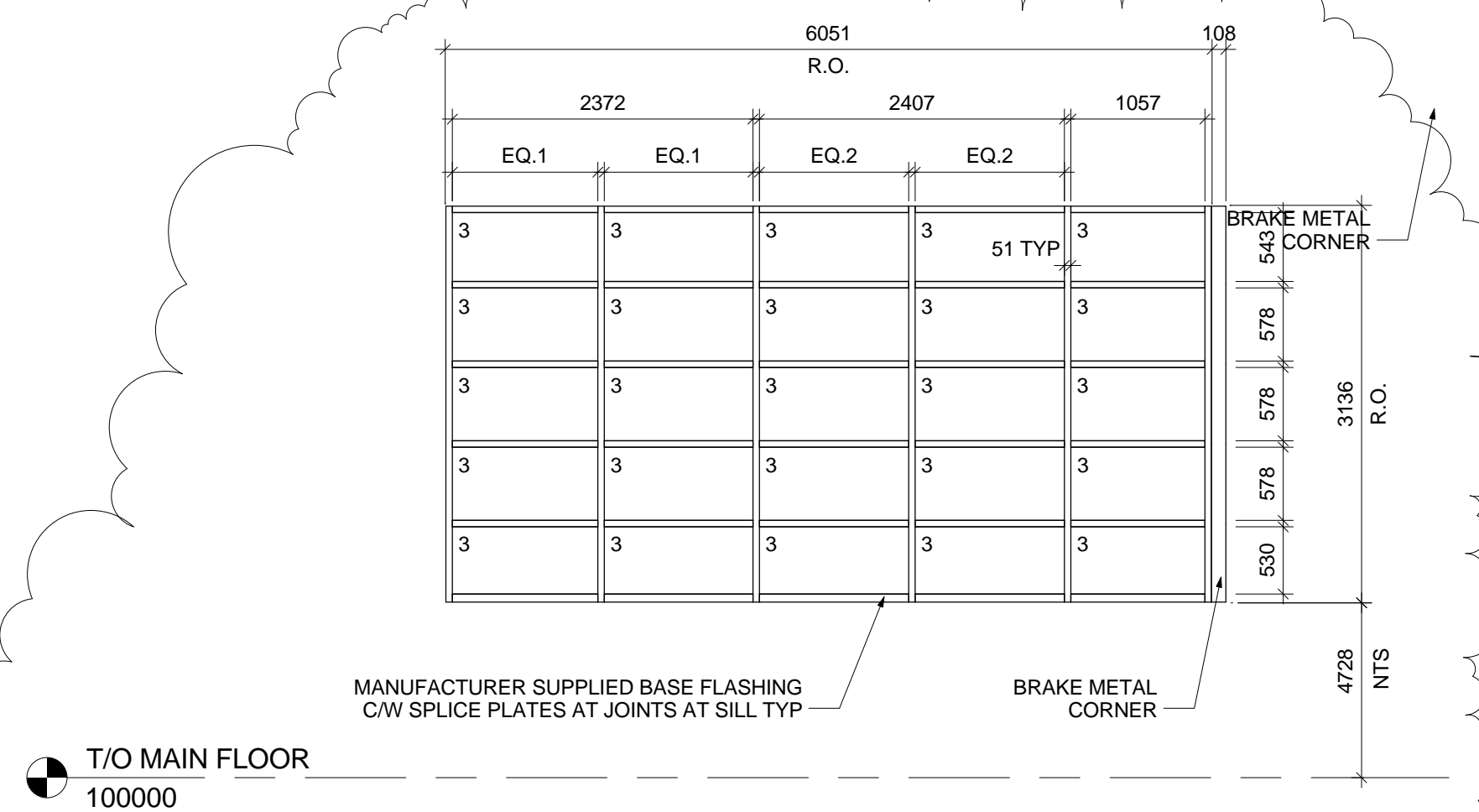
4 GLAZING ELEVATION - 107 NORTH INT.
1:50



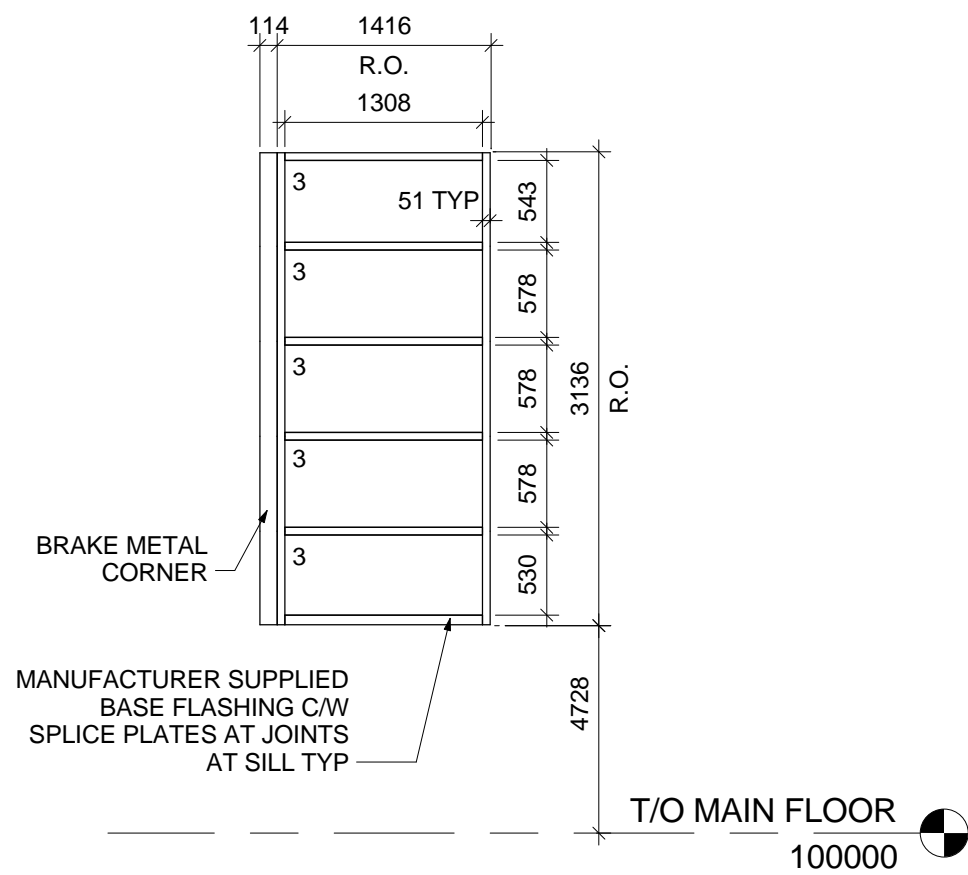
5 GLAZING ELEVATION - NORTH
1:50



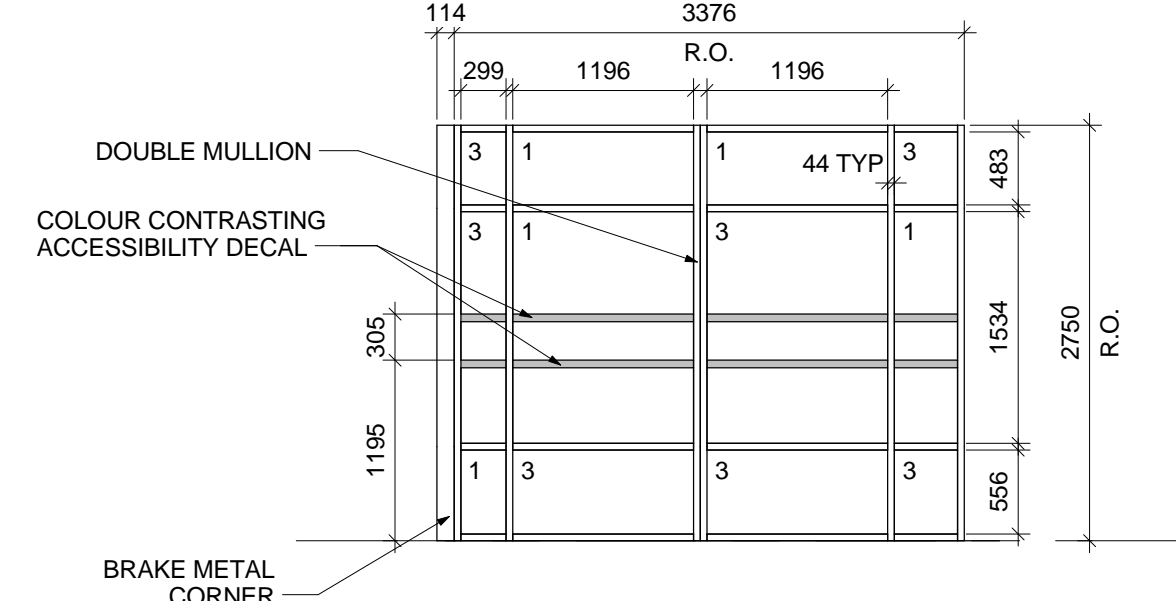
6 GLAZING ELEVATION - 100 SOUTH
1:50



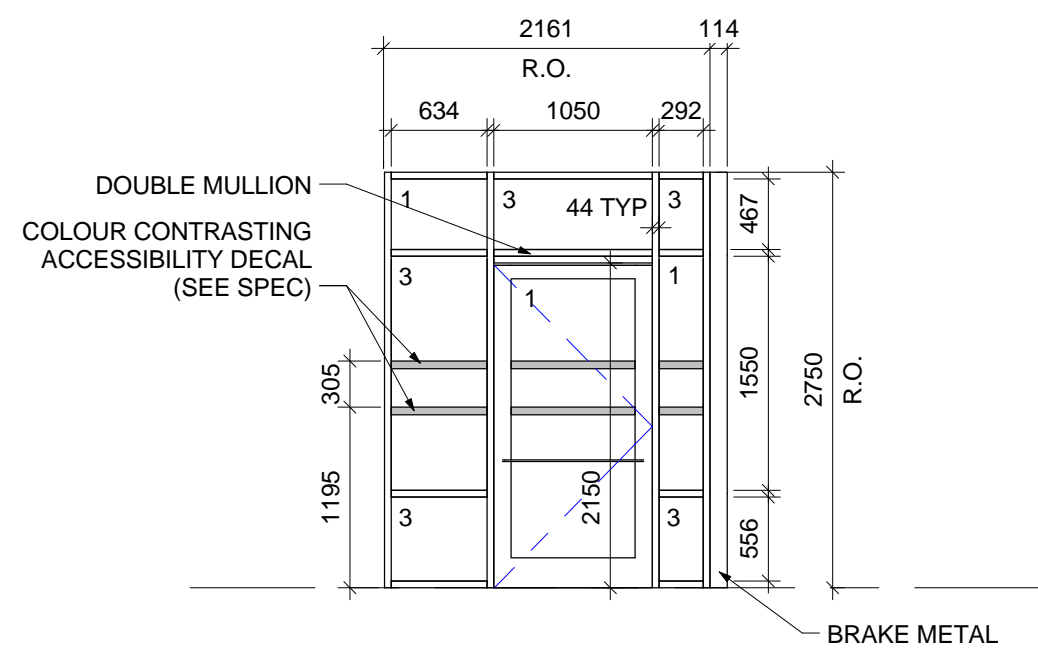
7 GLAZING ELEVATION - 111 SOUTH
1:50



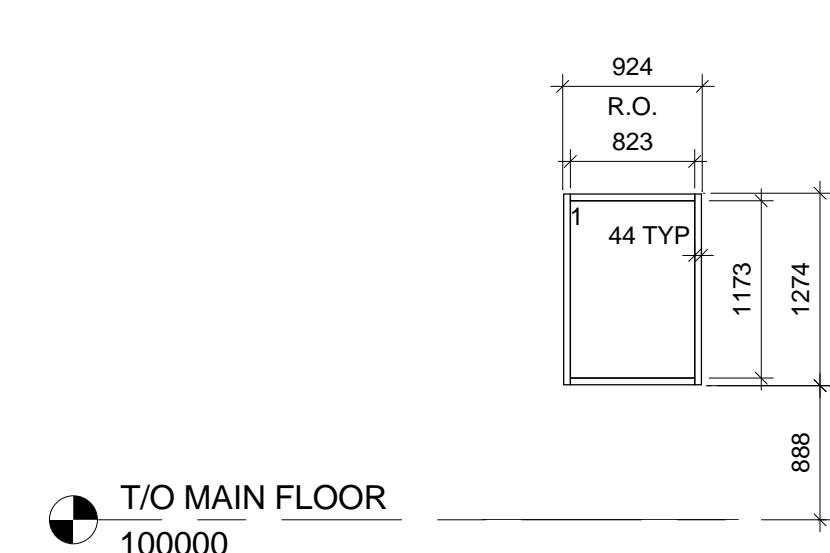
8 GLAZING ELEVATION - EAST
1:50



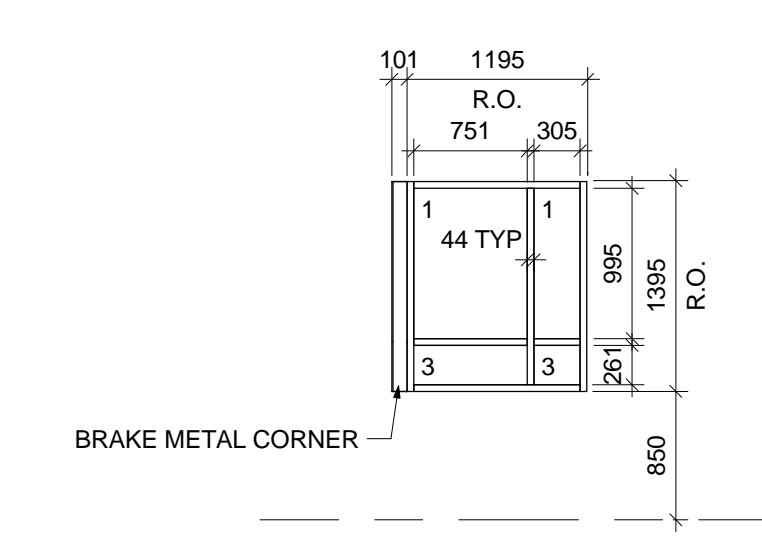
9 GLAZING ELEVATION - 100 NORTH
1:50



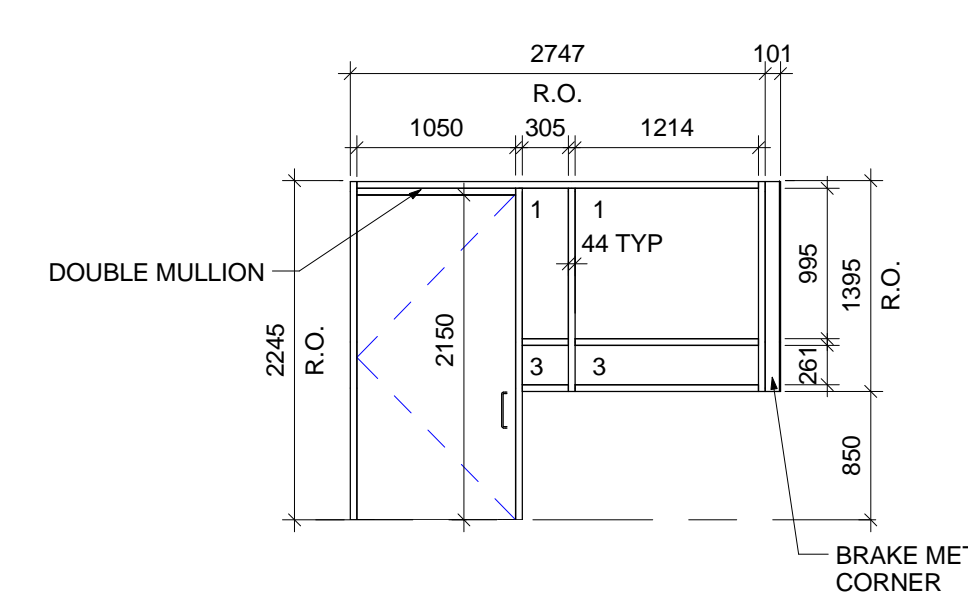
10 GLAZING ELEVATION - 100 EAST
1:50



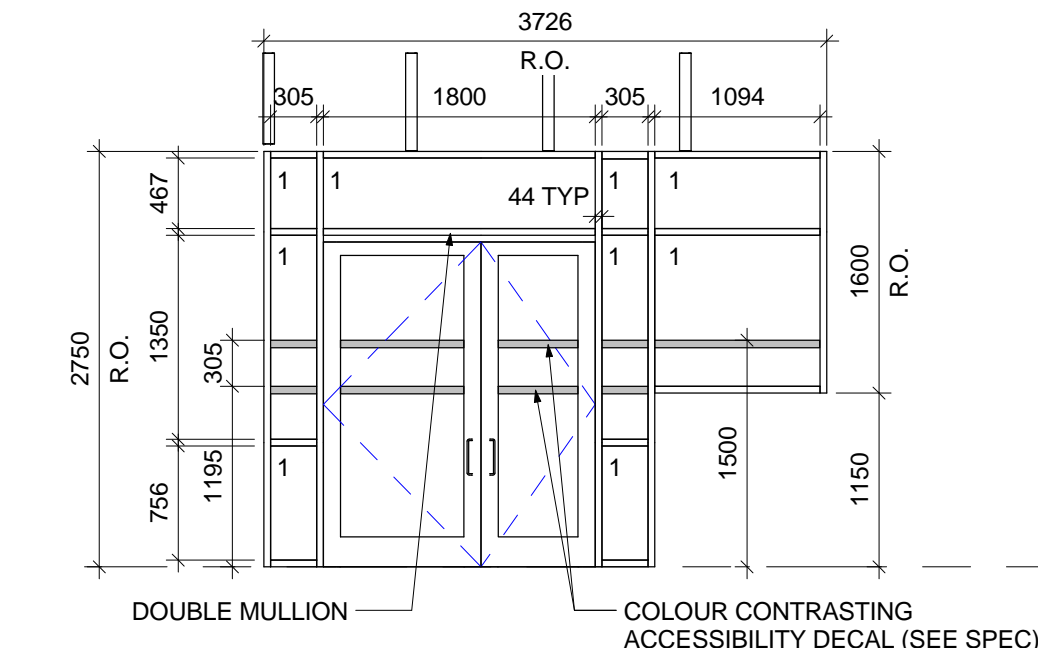
11 GLAZING ELEVATION - 111 WEST
1:50



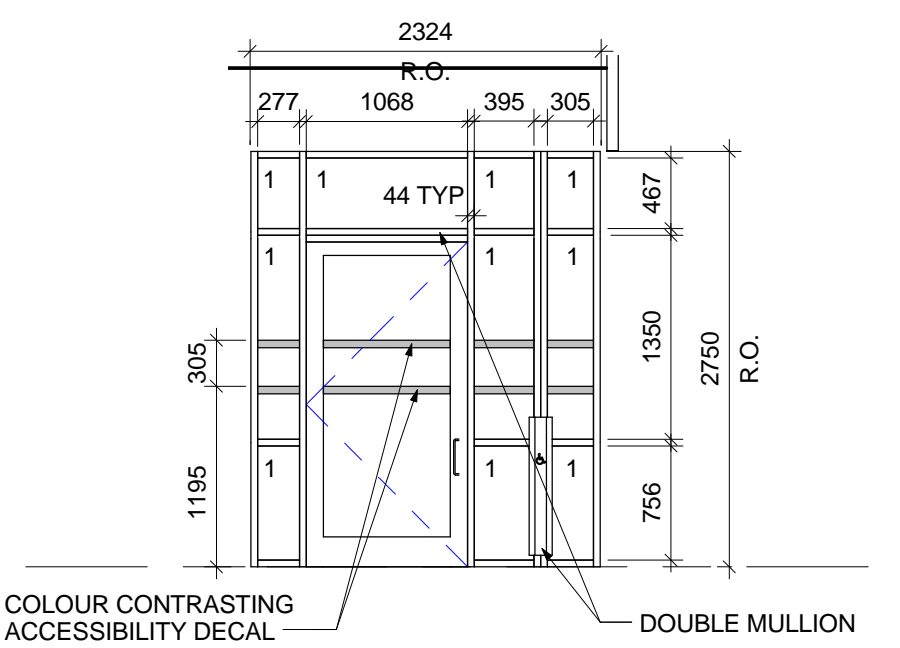
12 GLAZING ELEVATION - 101 NORTH
1:50



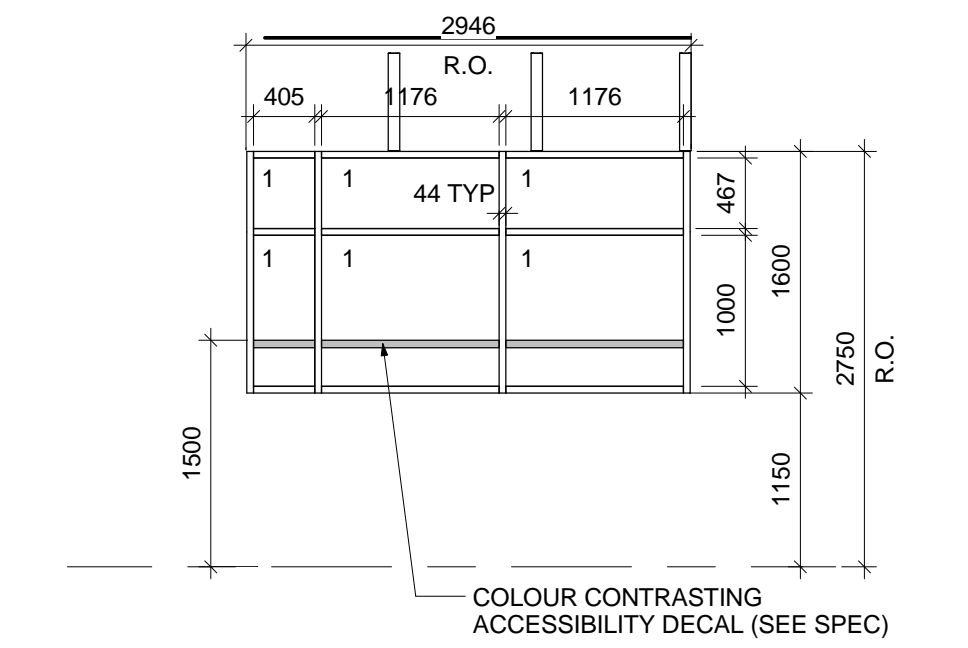
13 GLAZING ELEVATION - COR01 EAST
1:50



14 GLAZING ELEVATION - 106 SOUTH
1:50



15 GLAZING ELEVATION - 101 EAST
1:50



16 GLAZING ELEVATION - COR02 NORTH
1:50

#	Issue/Revision	Date
1	ISSUED FOR TENDER	2013-12-09
2	ISSUED FOR ADDENDUM 2	2014-01-06