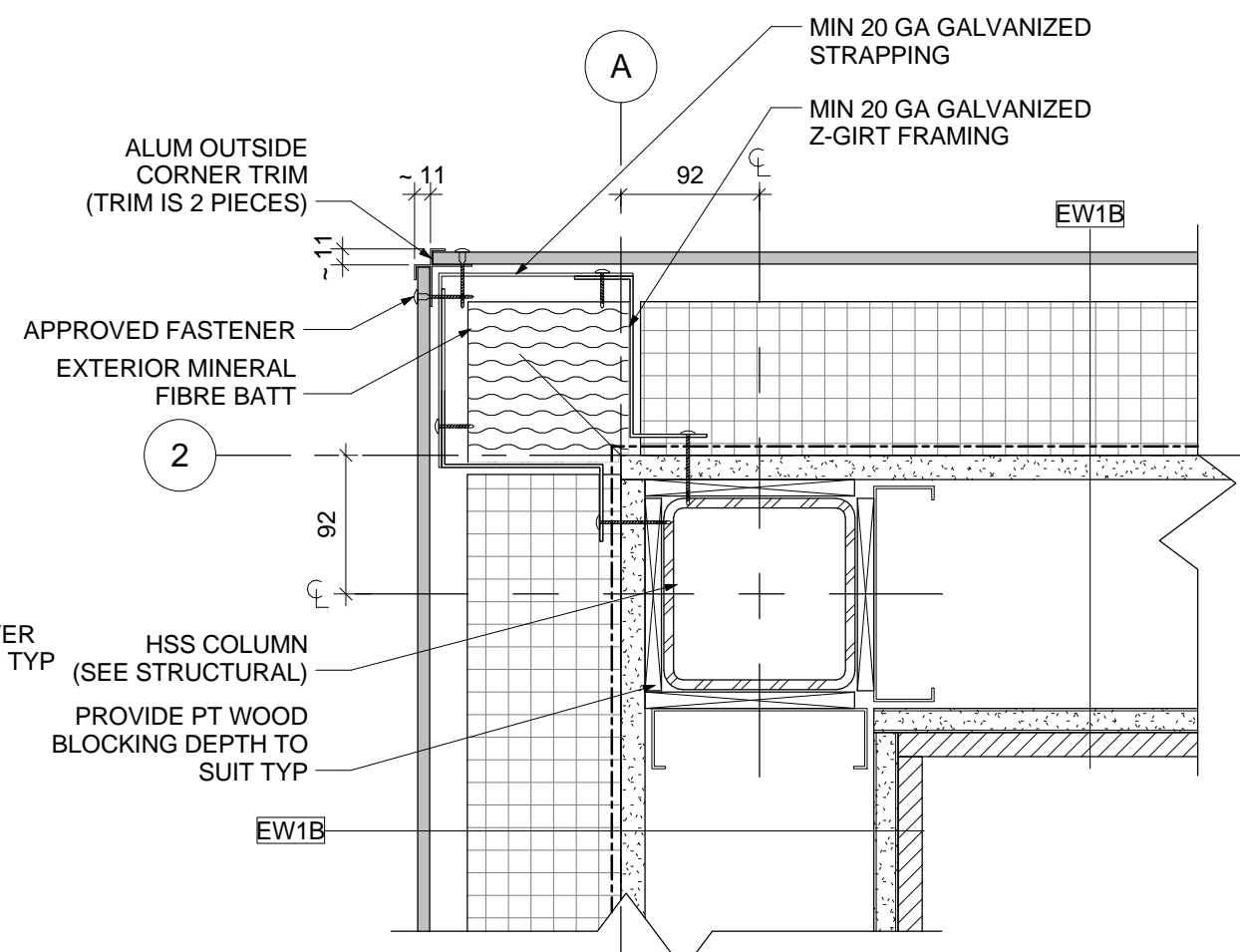
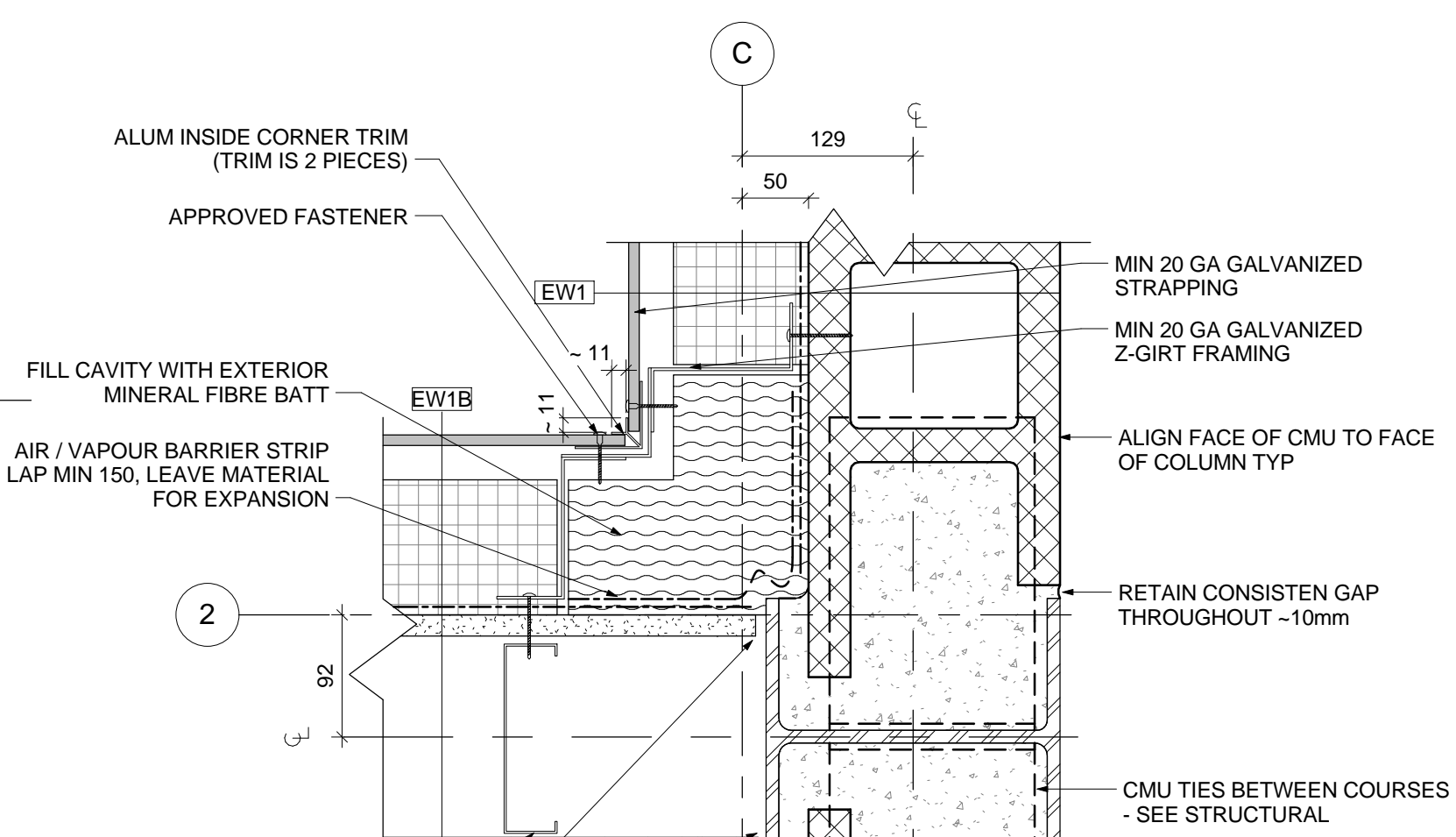


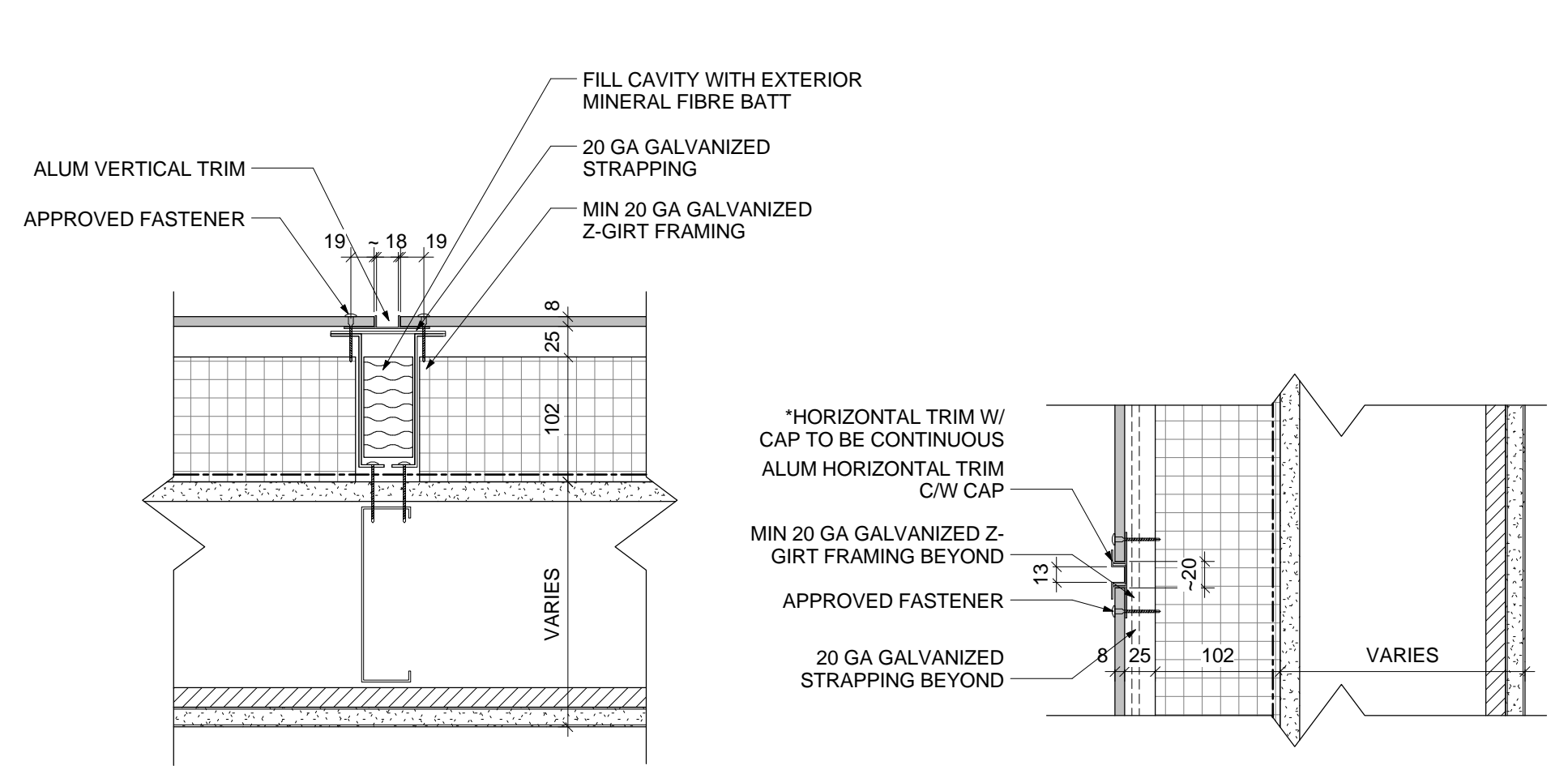
1 OUTSIDE CORNER BLOCK INFILL
1:5



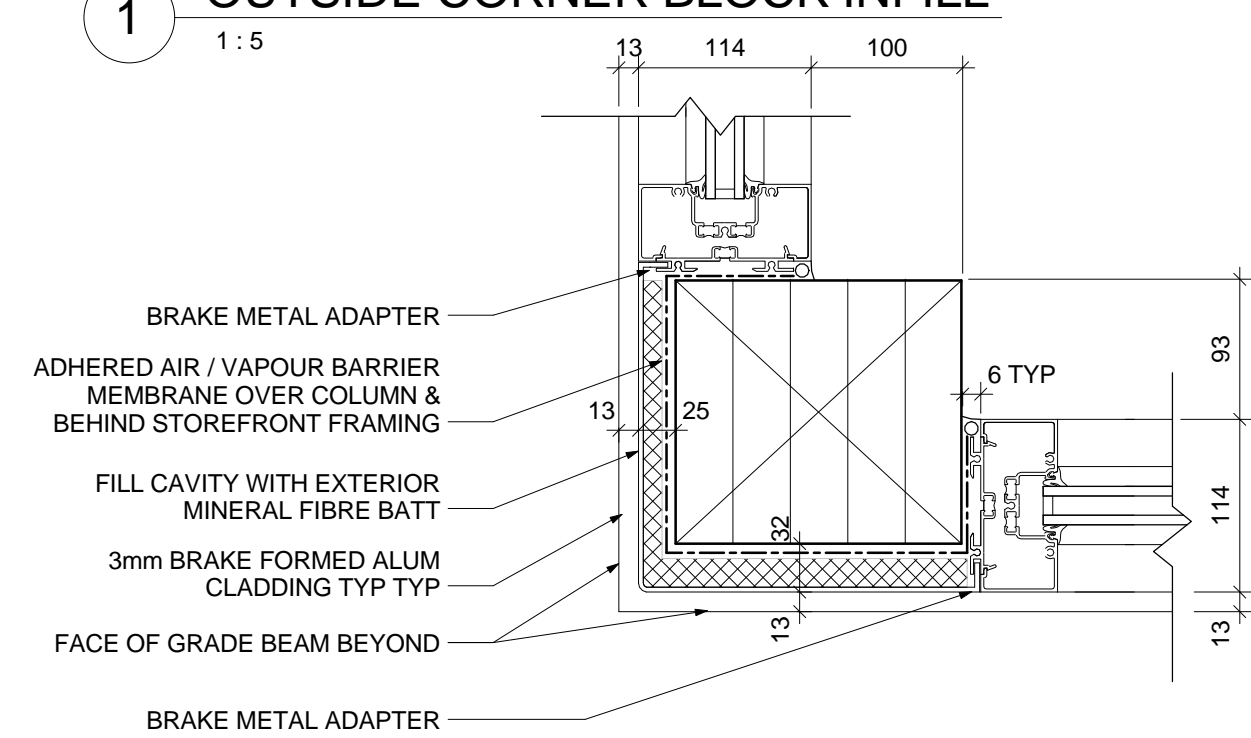
2 OUTSIDE CORNER STEEL STUD INFILL
1:5



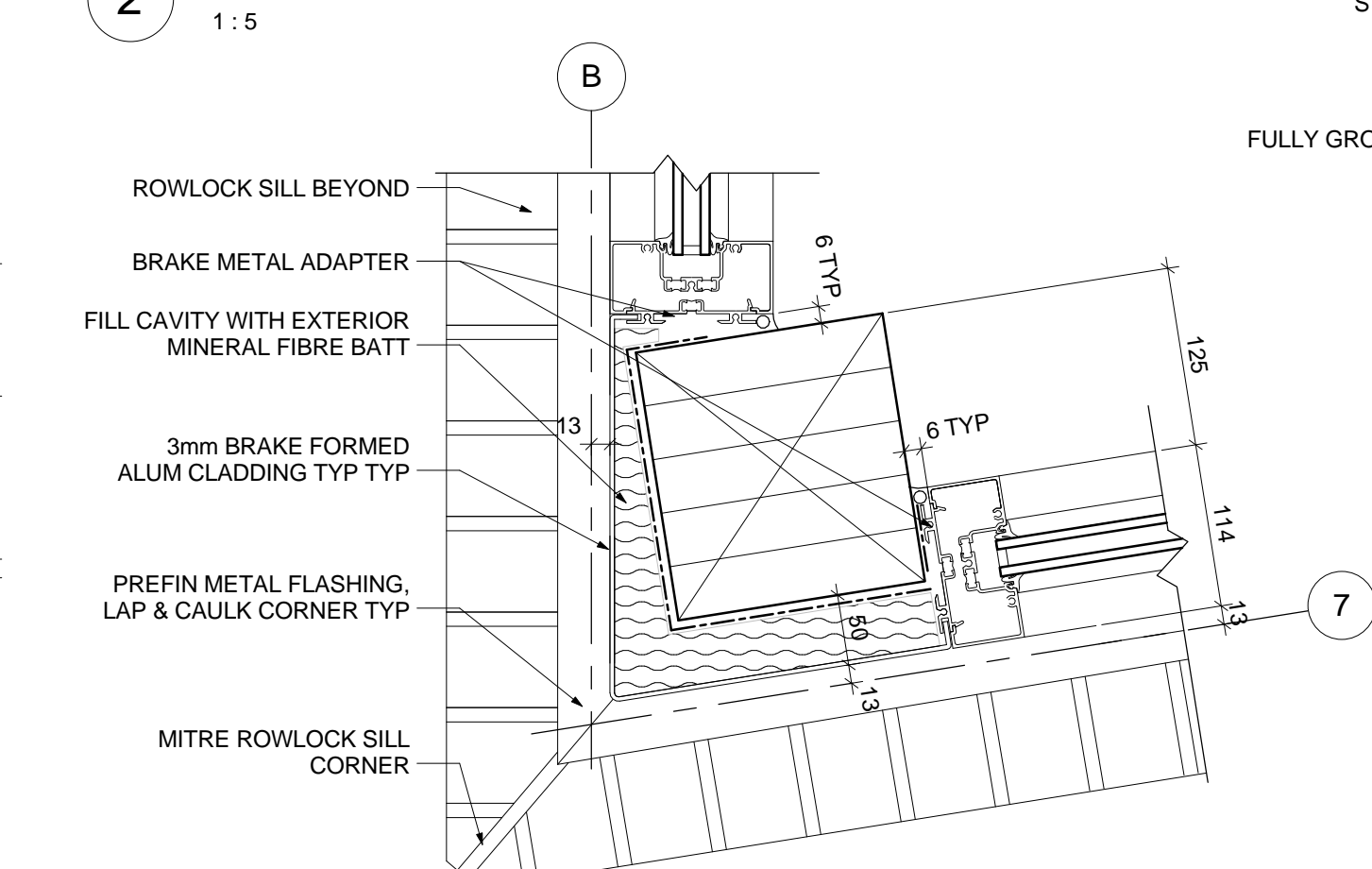
3 PLAN DETAIL - TYP CLADDING VERTICAL JOINT
1:5



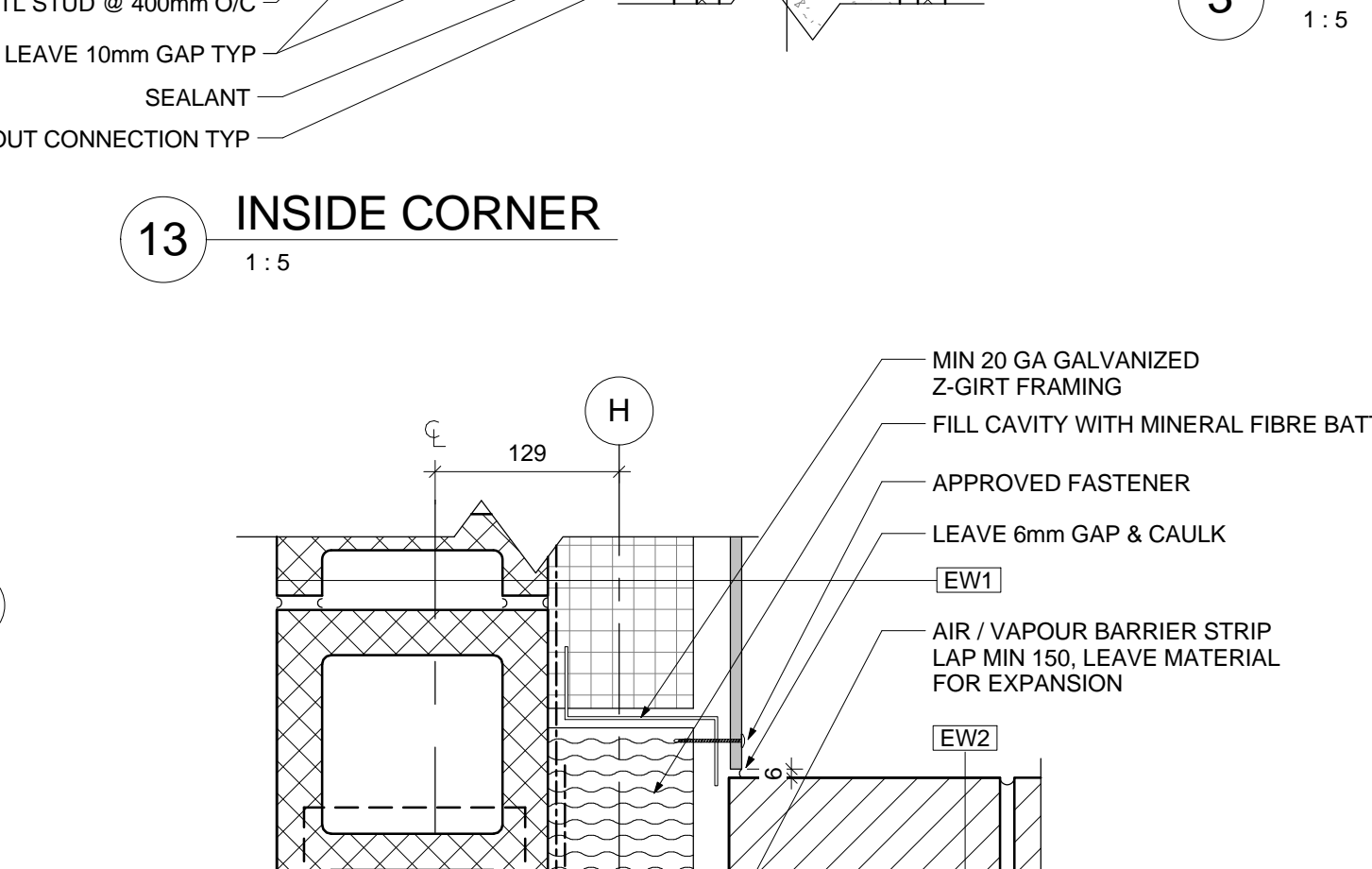
4 SECTION DETAIL - TYP CLADDING HORIZONTAL JOINT
1:5



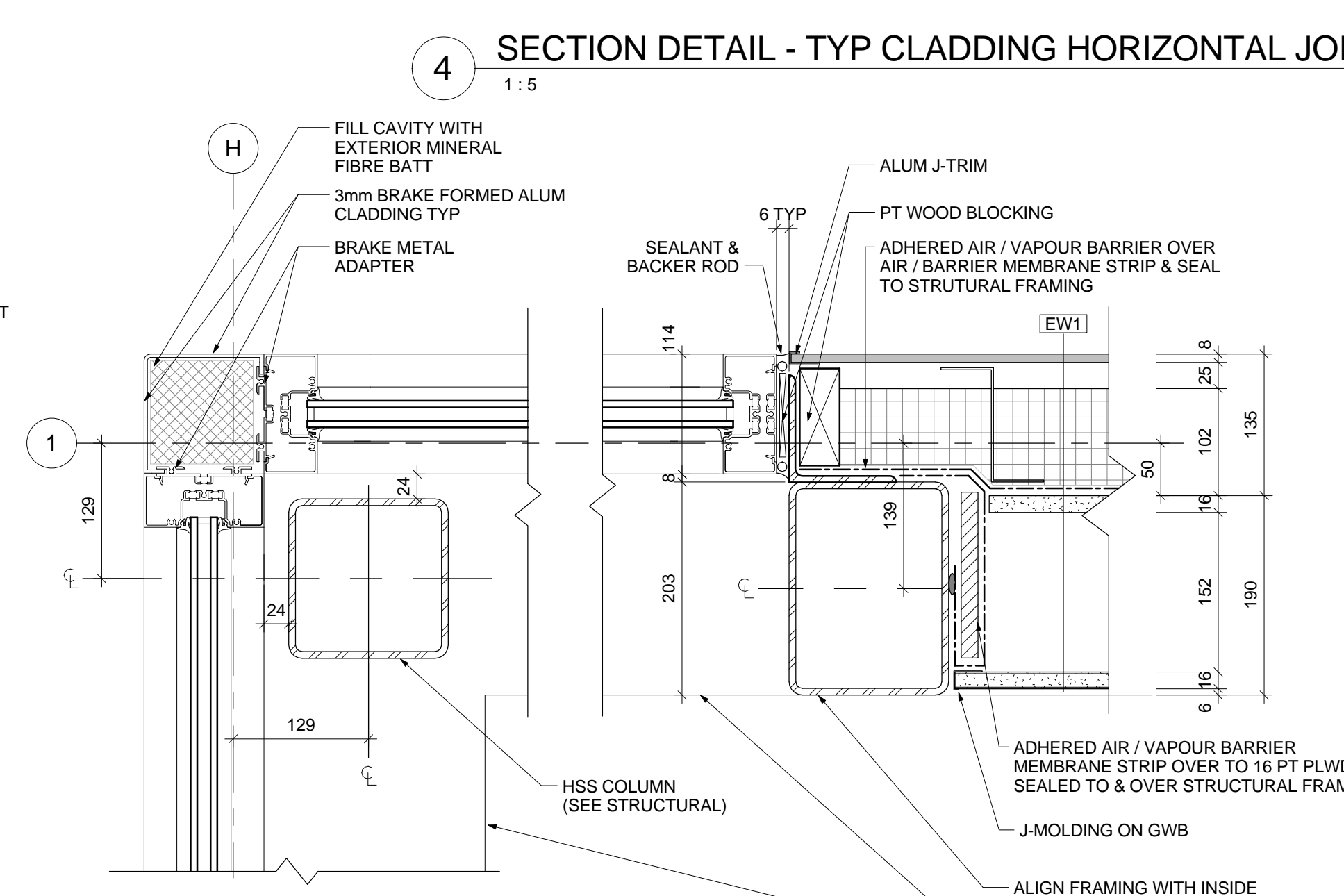
5 STOREFRONT GLAZING TYPICAL CORNER
1:5



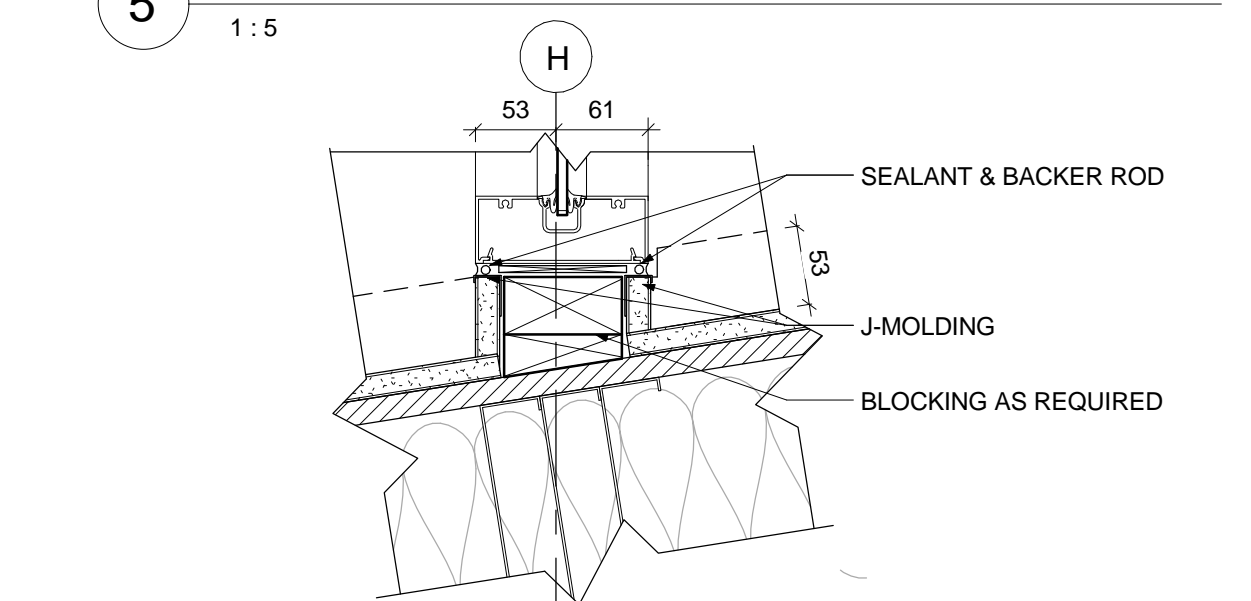
7 STOREFRONT GLAZING CORNER NW
1:5



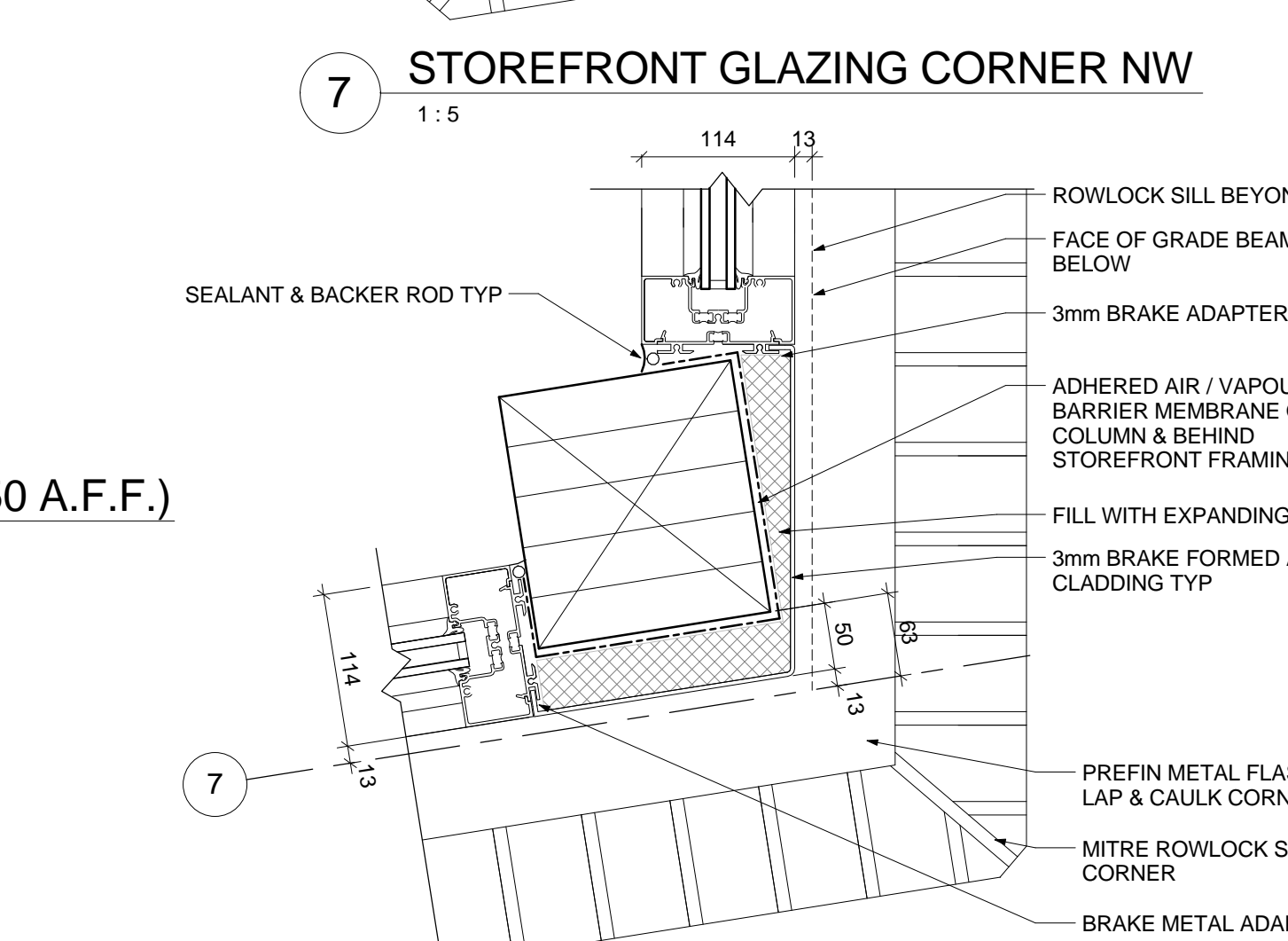
13 INSIDE CORNER
1:5



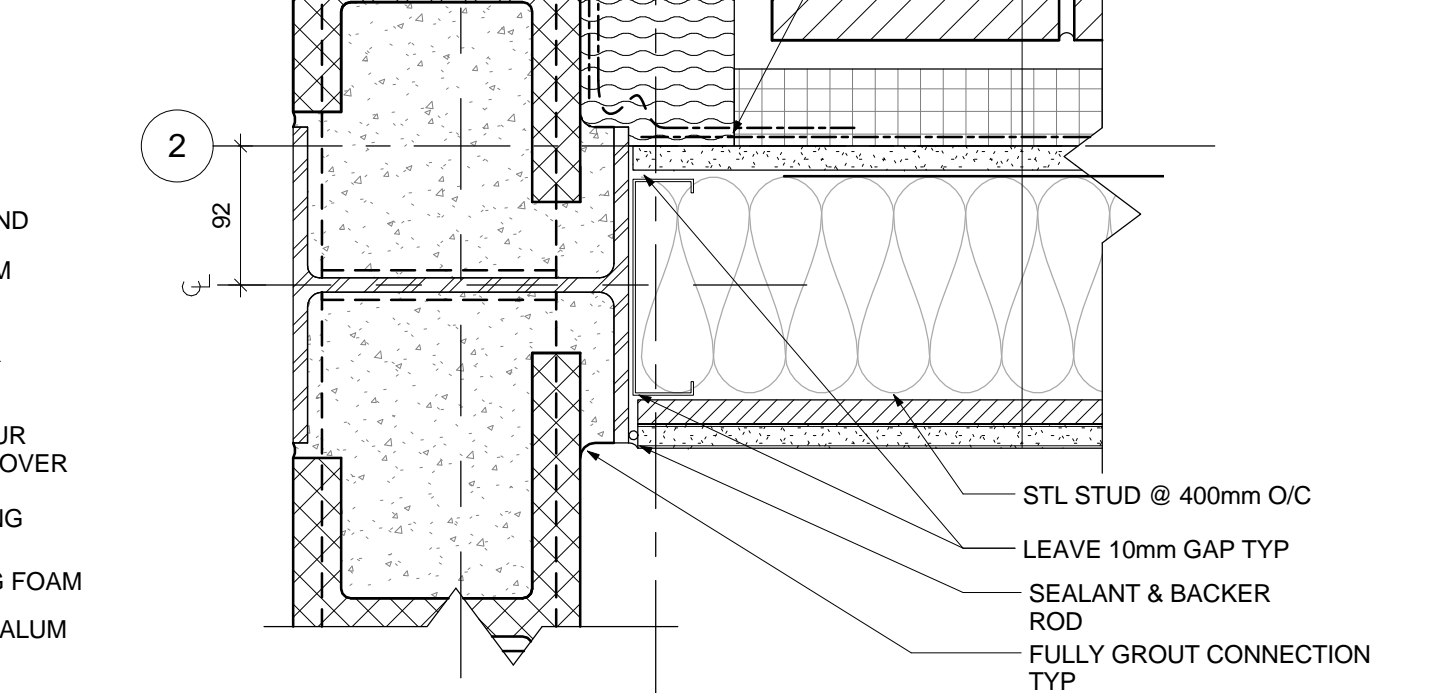
8 GLAZING JAMB
1:5



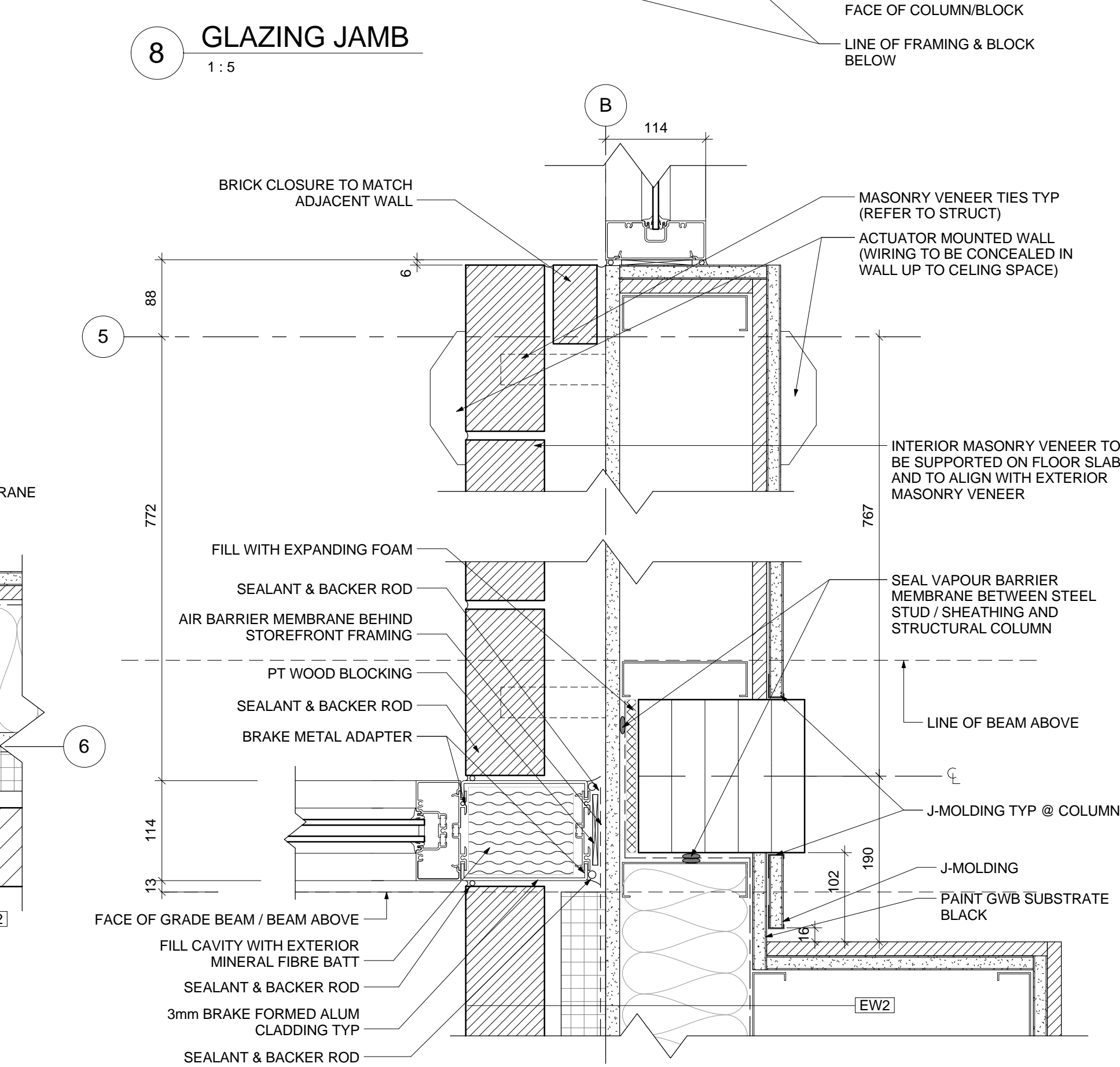
11A INT'R STOREFRONT @ EXTERIOR WALL (450 A.F.F.)
1:5



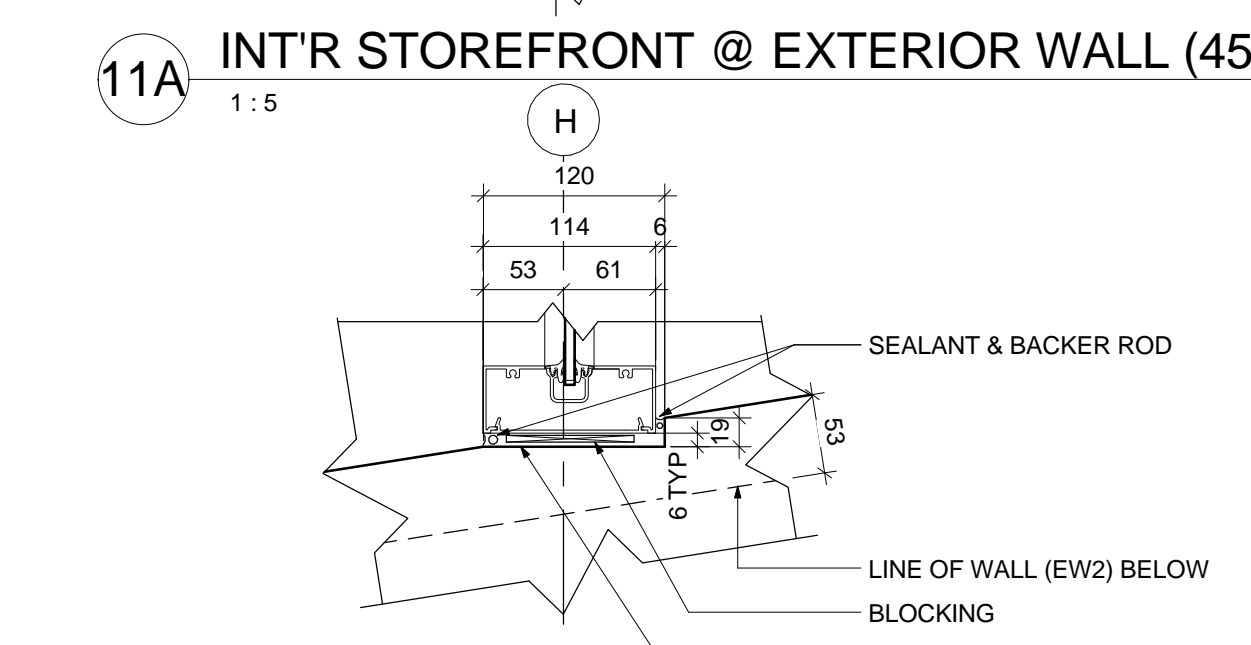
6 STOREFRONT GLAZING CORNER SW
1:5



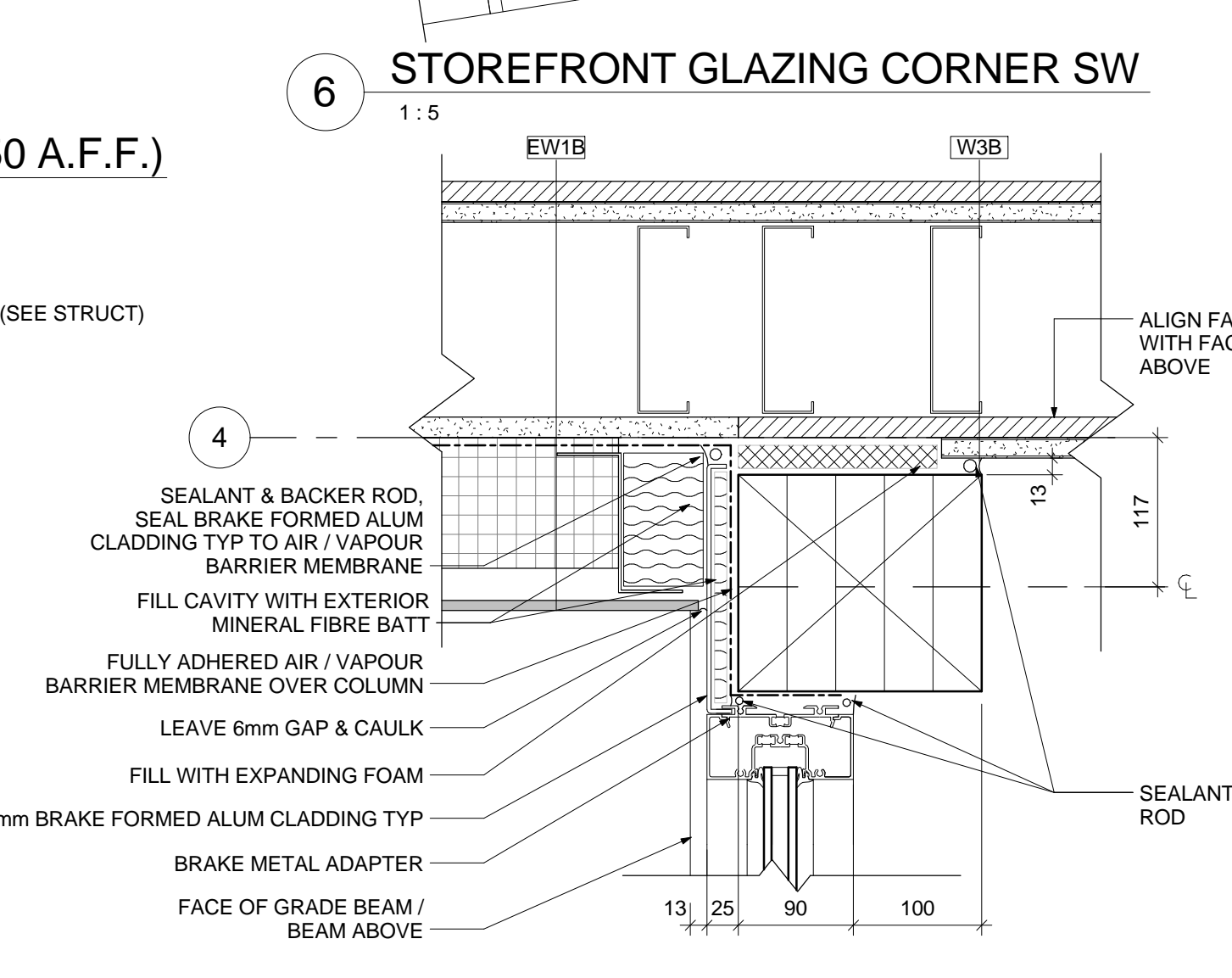
14 INSIDE CORNER @ BRICK
1:5



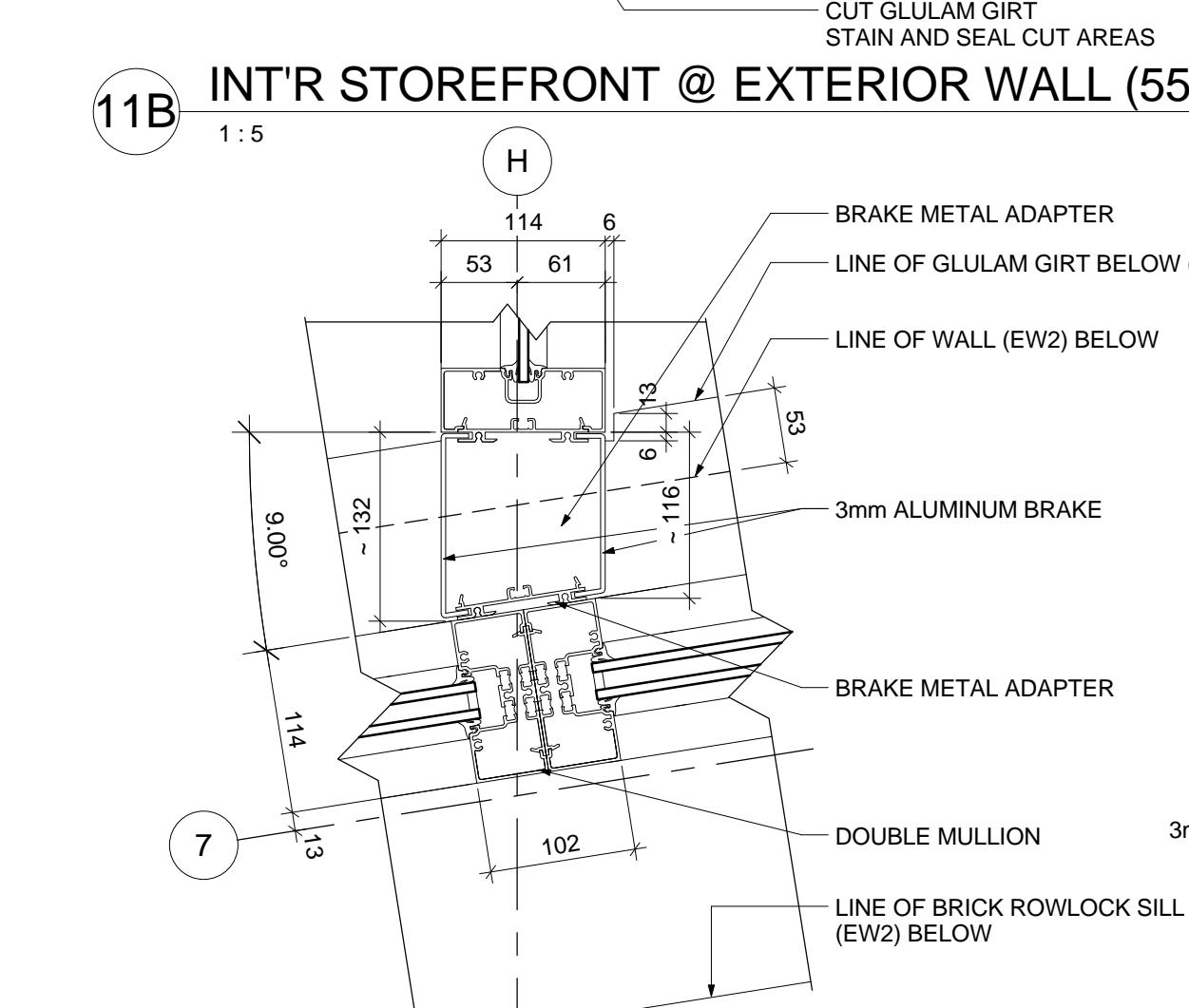
12 PLAN DETAIL - STONE MASONRY TO STOREFRONT GLAZING
1:5



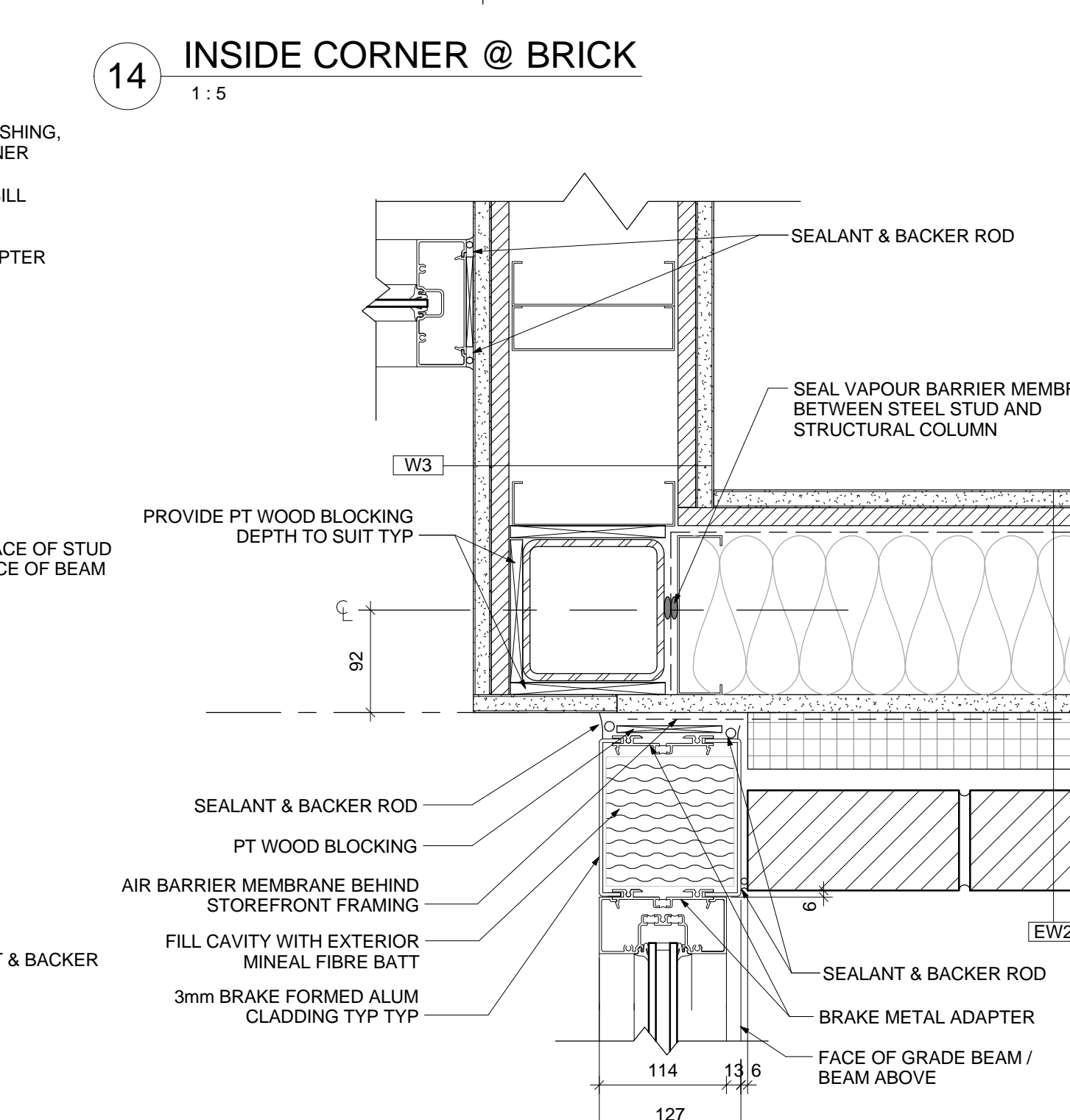
11B INT'R STOREFRONT @ EXTERIOR WALL (550 A.F.F.)
1:5



10 CEMENTITIOUS SIDING TO STOREFRONT GLAZING
1:5



11 INT'R STOREFRONT @ EXT WALL (1200 A.F.F.)
1:5



9 MASONRY CORNER
1:5

