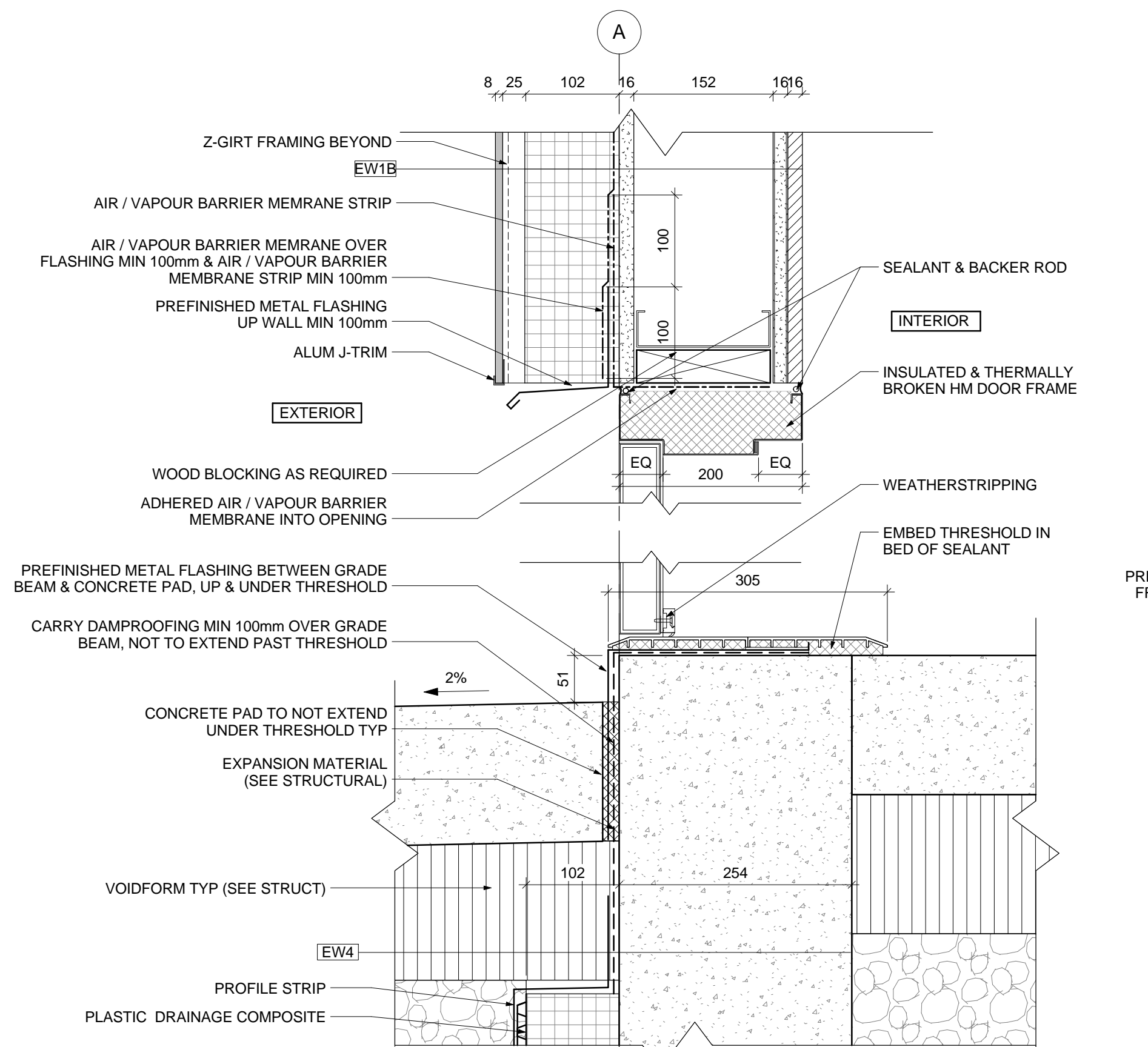
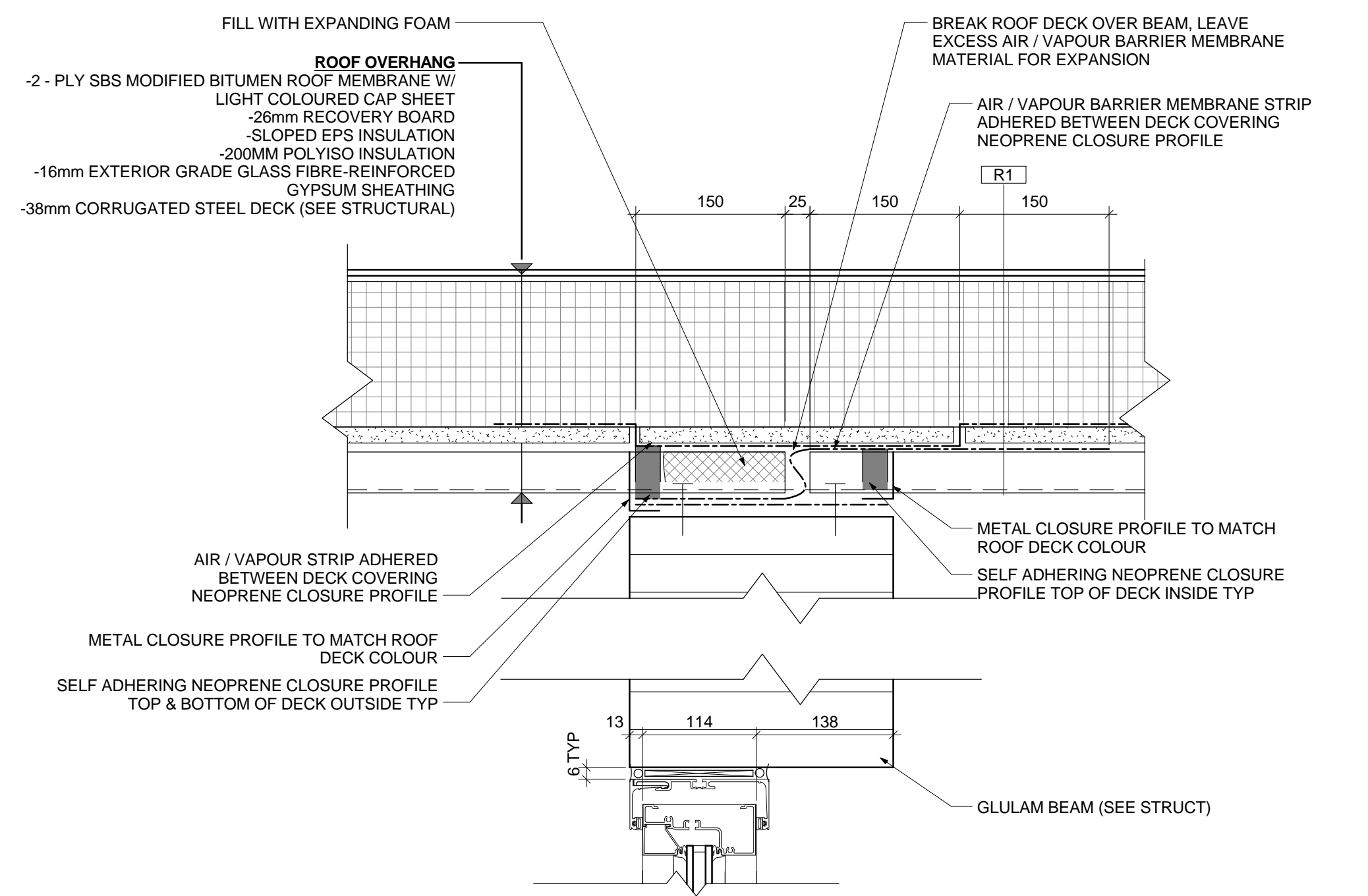


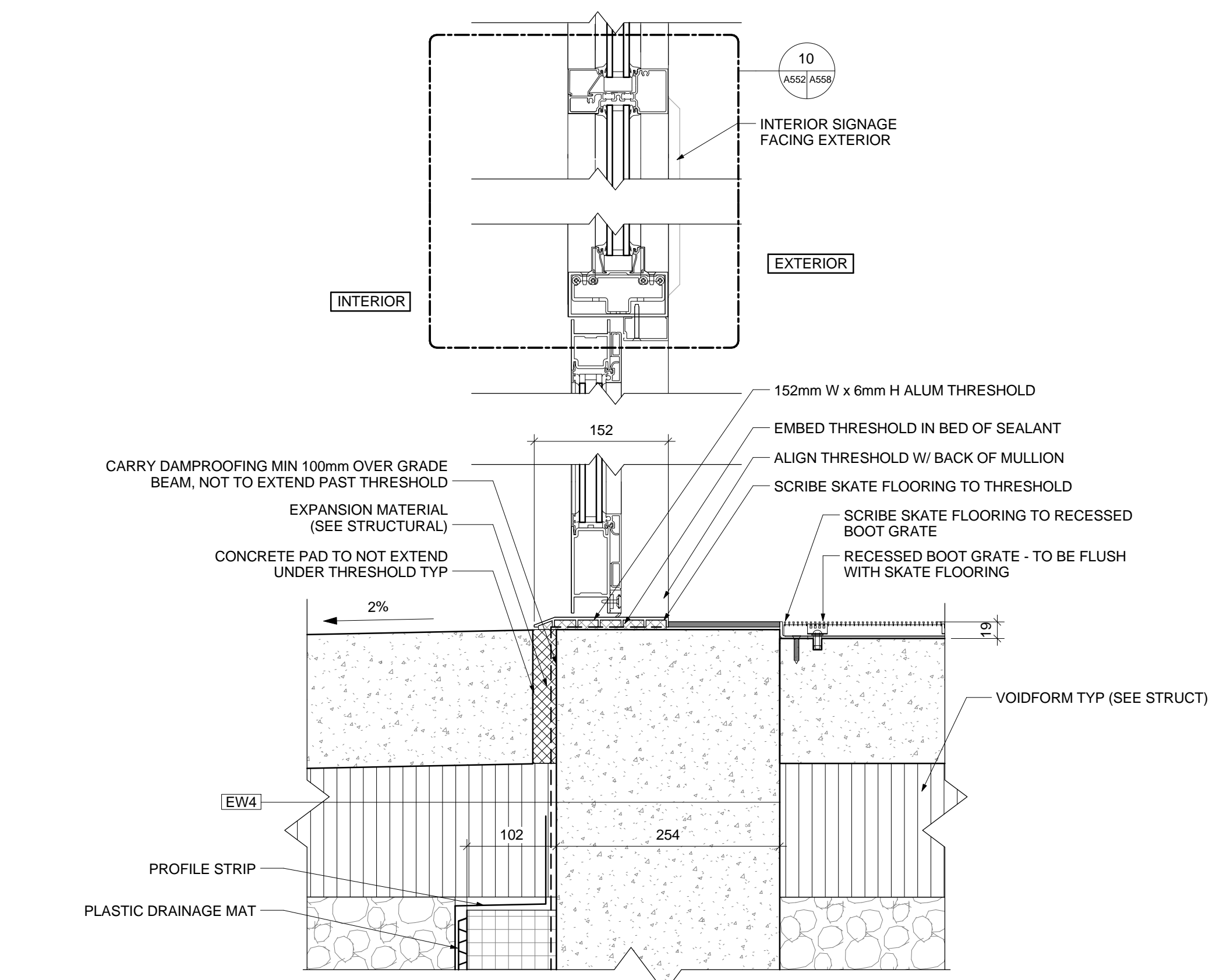
1 MAN DOOR @ GYM
1:5



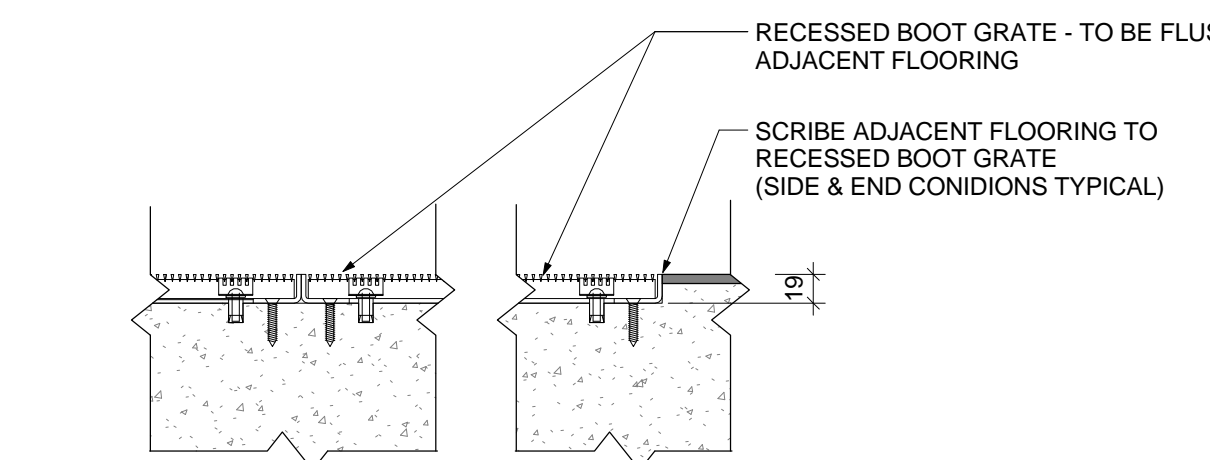
2 MAN DOOR @ SERVICE AREA
1:5



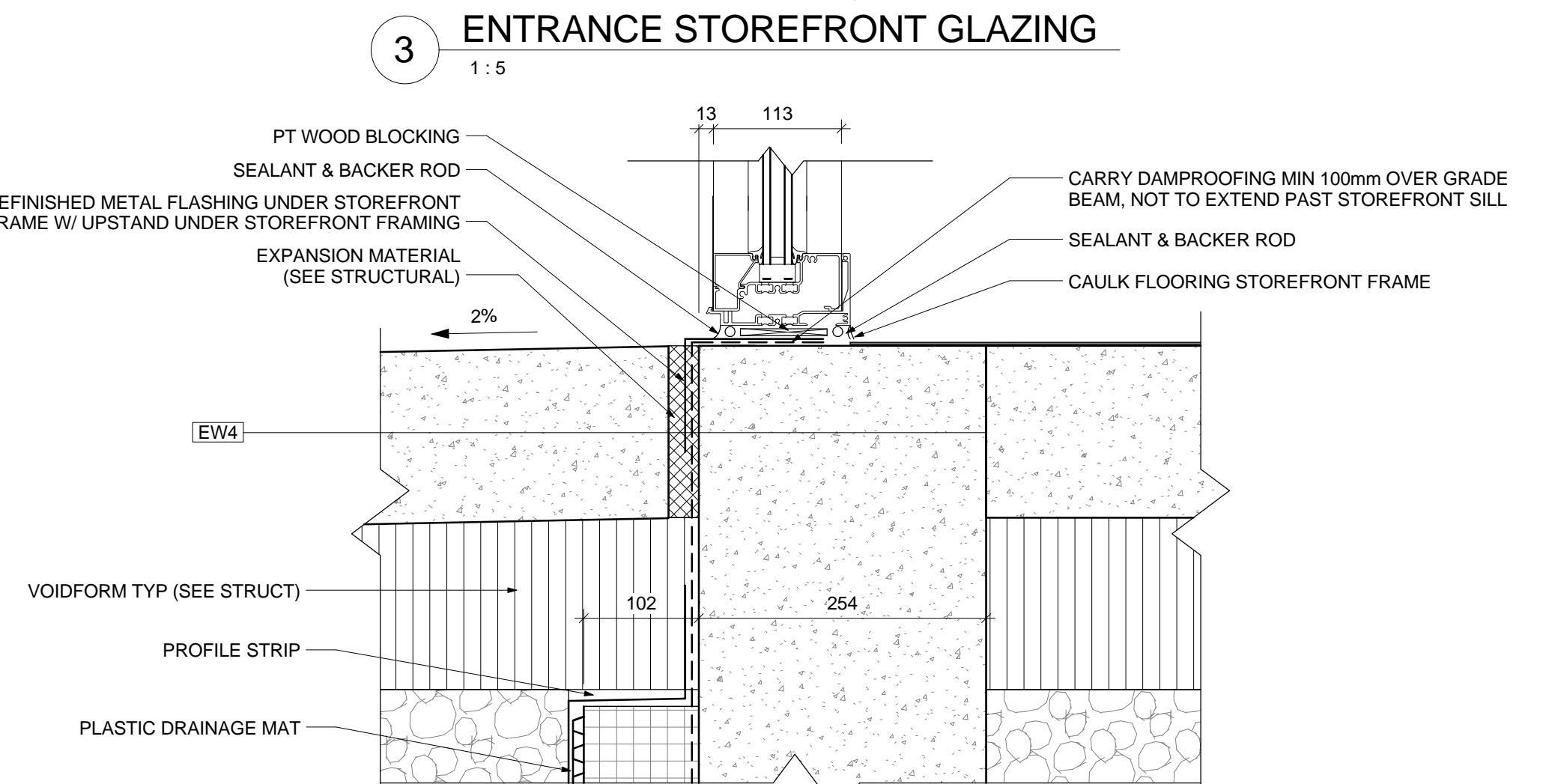
3 ENTRANCE STOREFRONT GLAZING
1:5



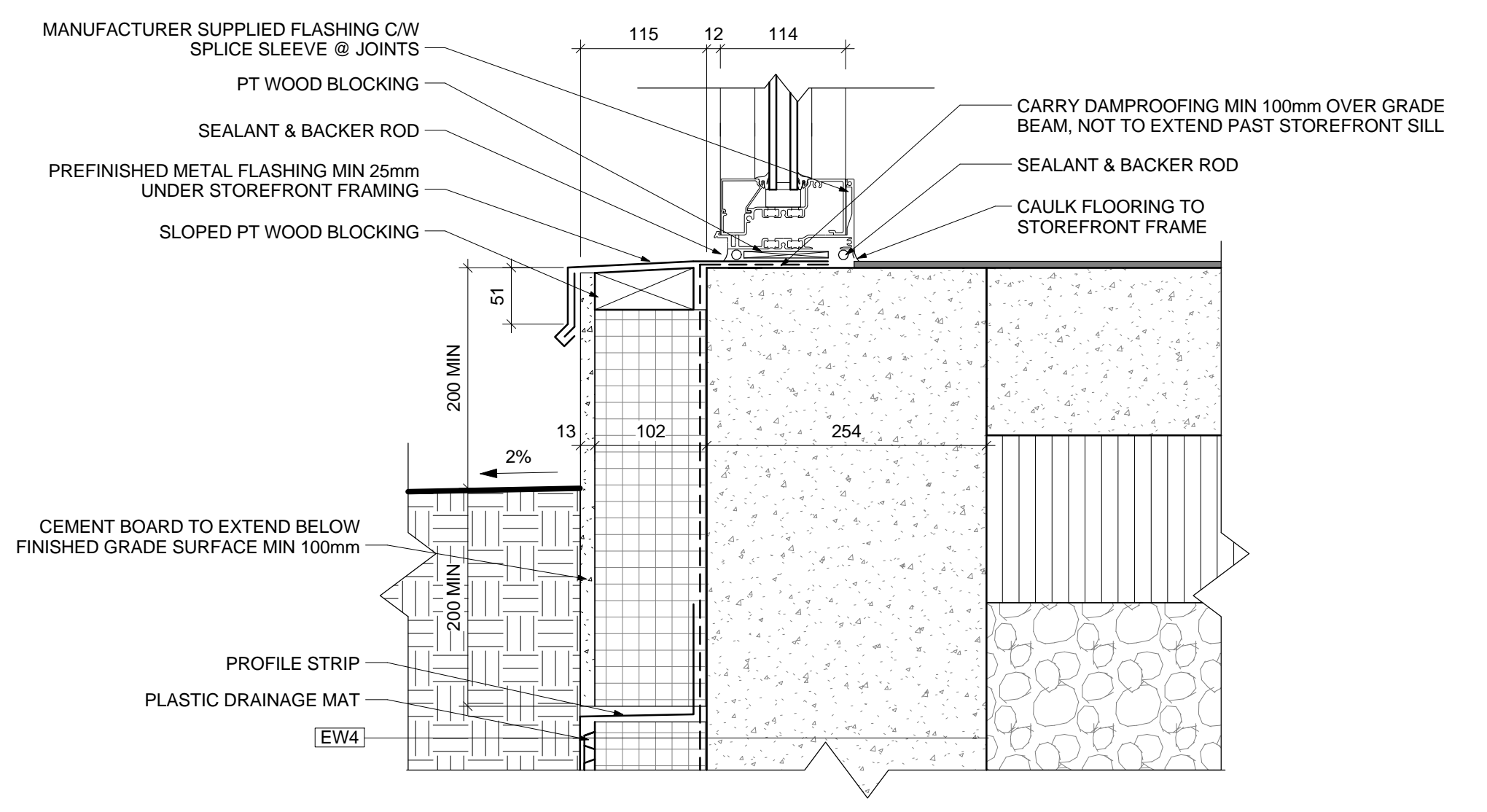
4 SECTION DETAIL - OH DOOR
1:5



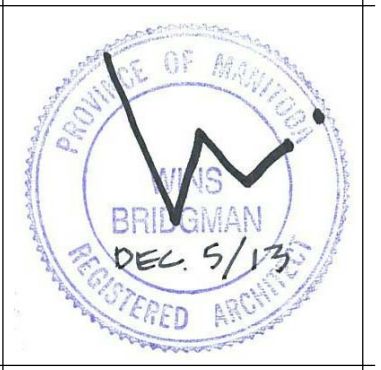
5 RECESSED BOOT GRATE
1:5



6 STOREFRONT GLAZING @ EXT WALK
1:5



7 STOREFRONT GLAZING @ GRADE
1:5



Project: EAST ELMWOOD COMMUNITY CENTRE
490 KEENLEYSIDE, WINNIPEG, MB
Project Number: 2013-041
Bid Opportunity Number: 788-2013

Drawing Title: SECTION DETAILS

#	Issue/Revision	Date
1	ISSUED FOR TENDER	2013-12-09

Design By: _____
Date: _____
Design Check: _____
Date: _____
Drawn By: _____
Date: _____
DWG Check: _____
Date: _____

Sheet No: **A552**

This drawing is property of the Consultant and cannot be reproduced or used without the consent of the Consultant. The contractor is responsible for checking and verifying all levels and dimensions and shall report all discrepancies to the Consultant and obtain clarification prior to commencing work.