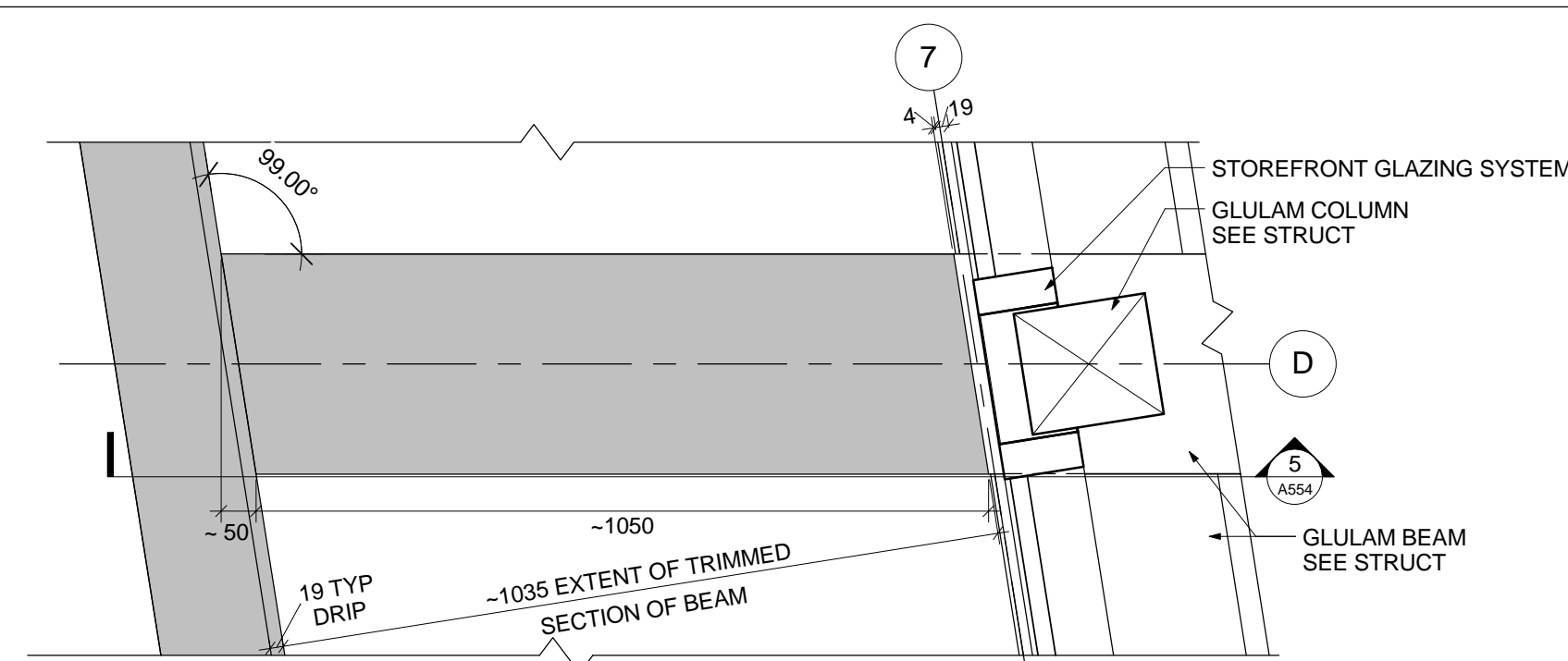
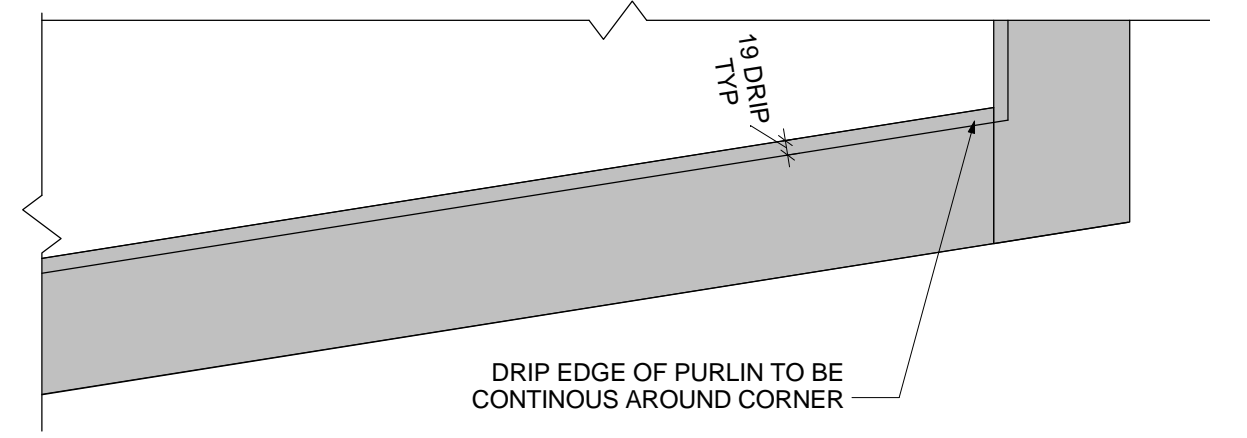
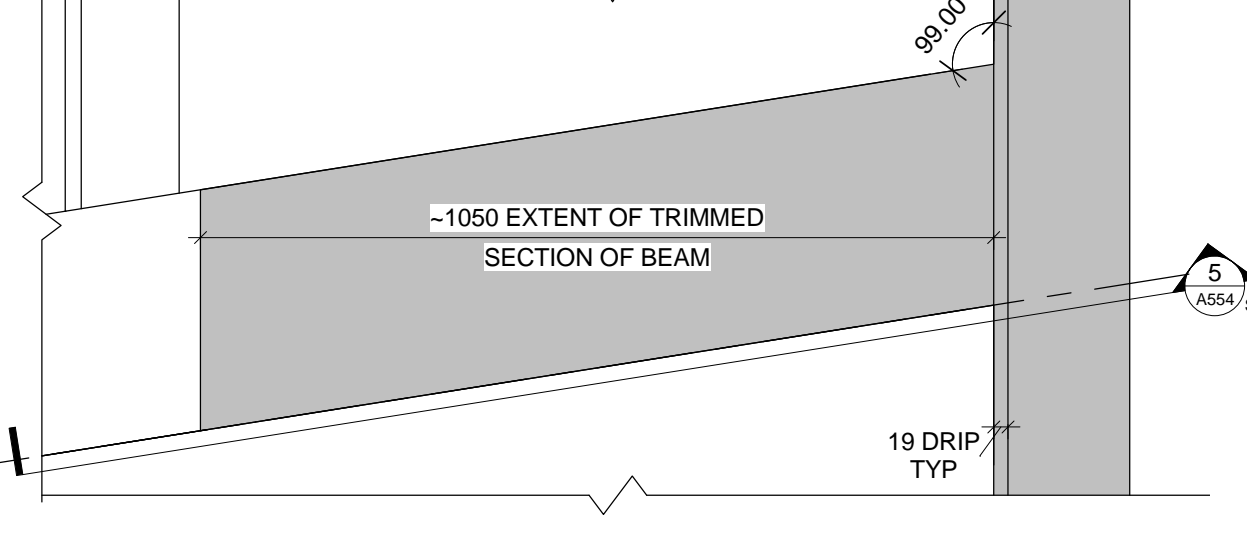
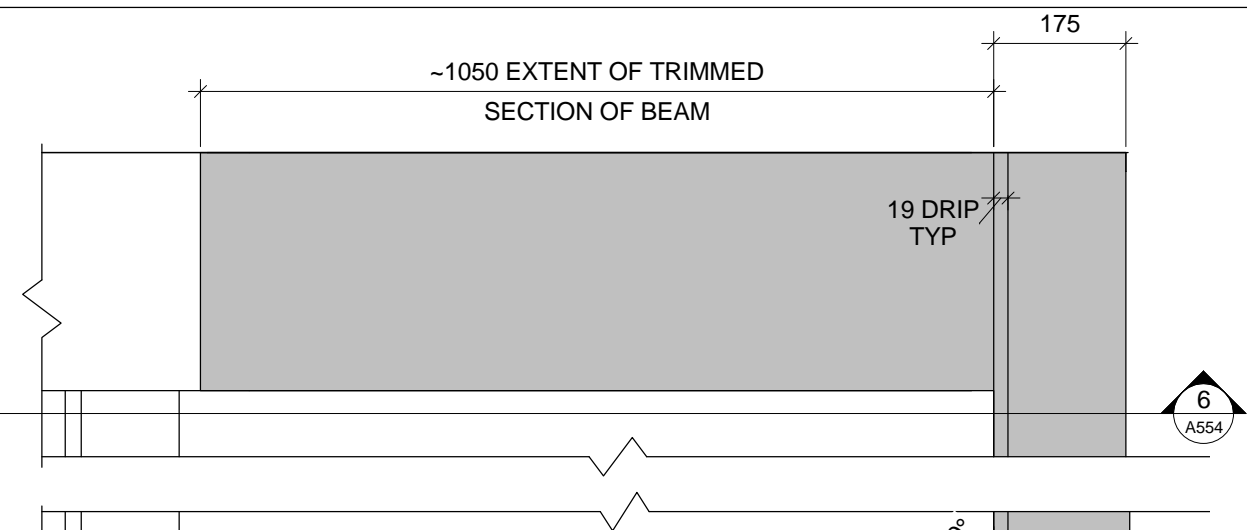


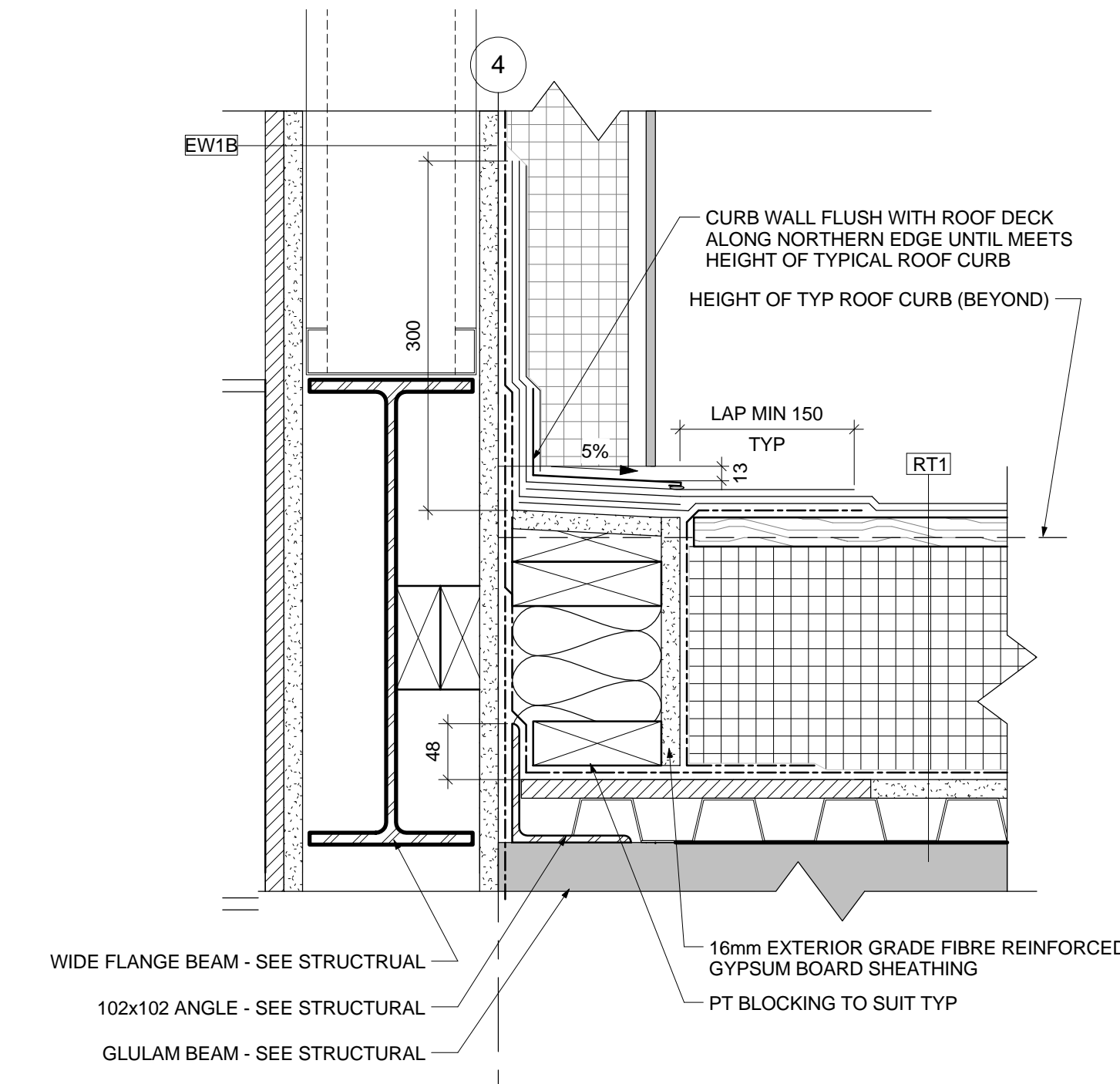
1 REFLECTED CEILING PLAN DETAIL BEAM END CONDITION NORTH  
1:10



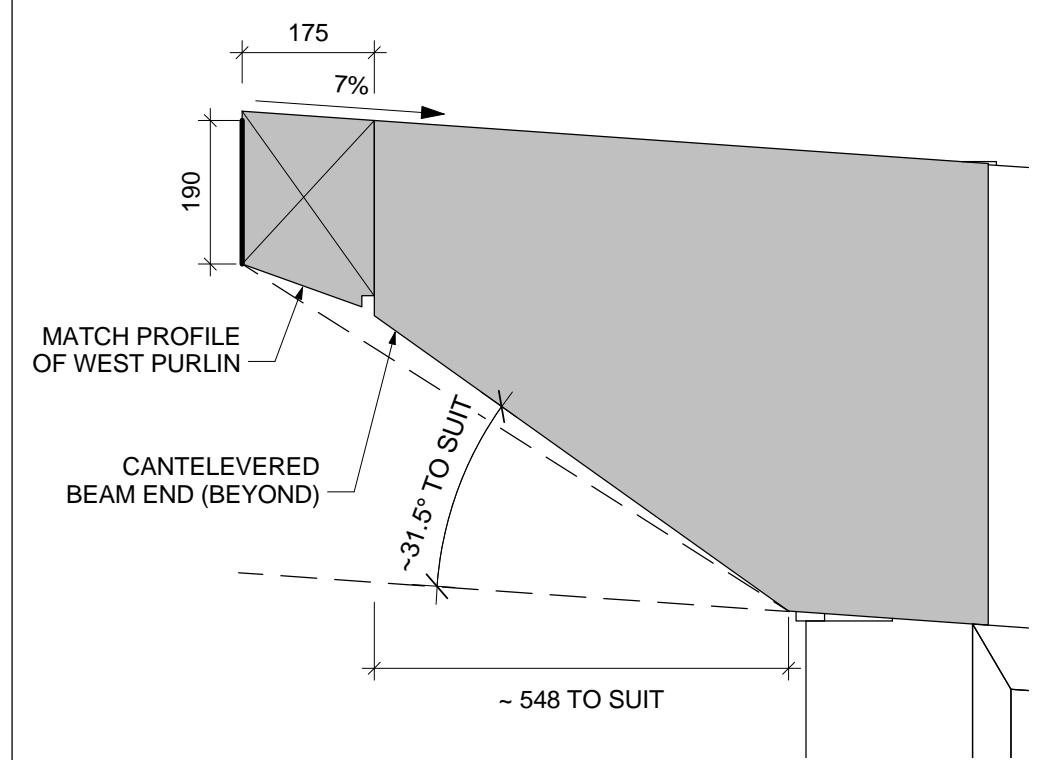
4 REFLECTED CEILING PLAN DETAIL WEST OVERHAND BEAM END  
1:10



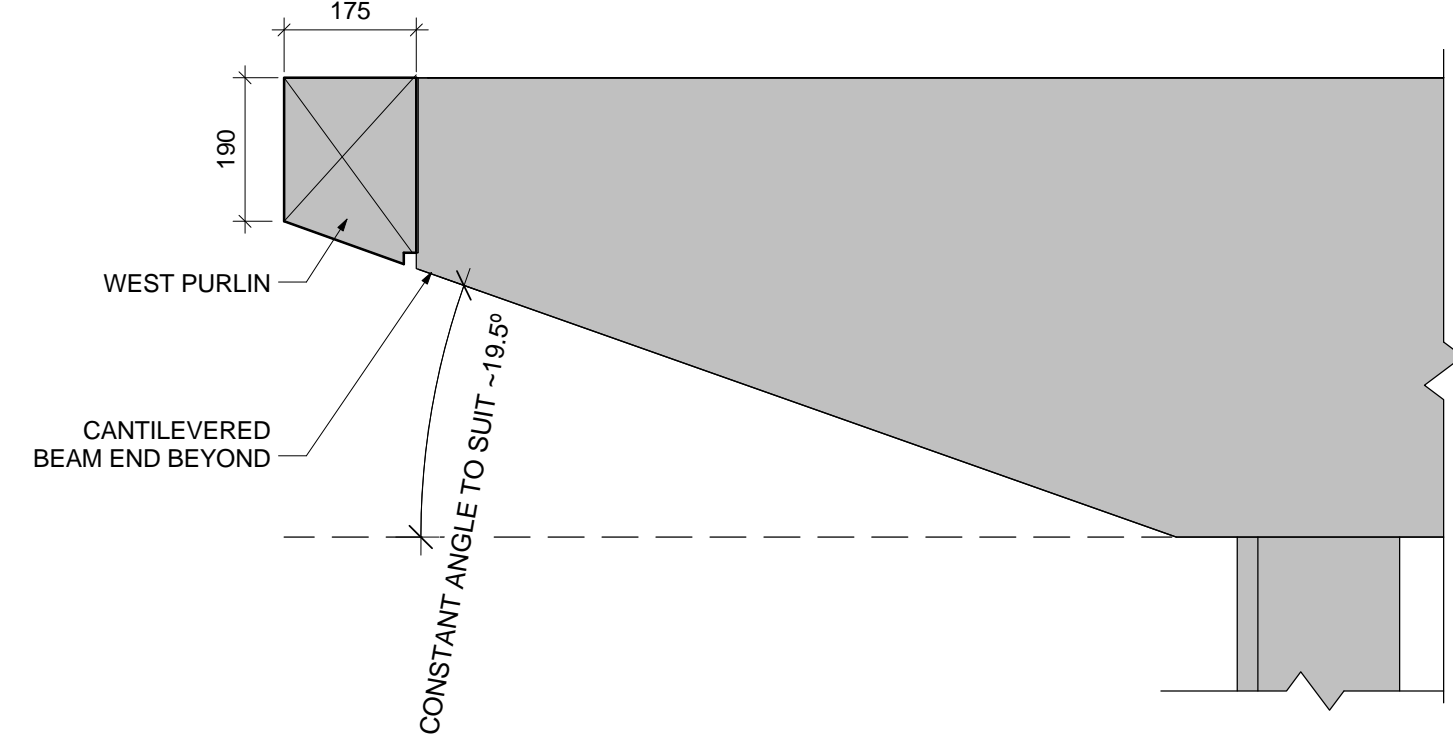
3 REFLECTED CEILING PLAN DETAIL SOUTH OVERHANG BEAM END  
1:10



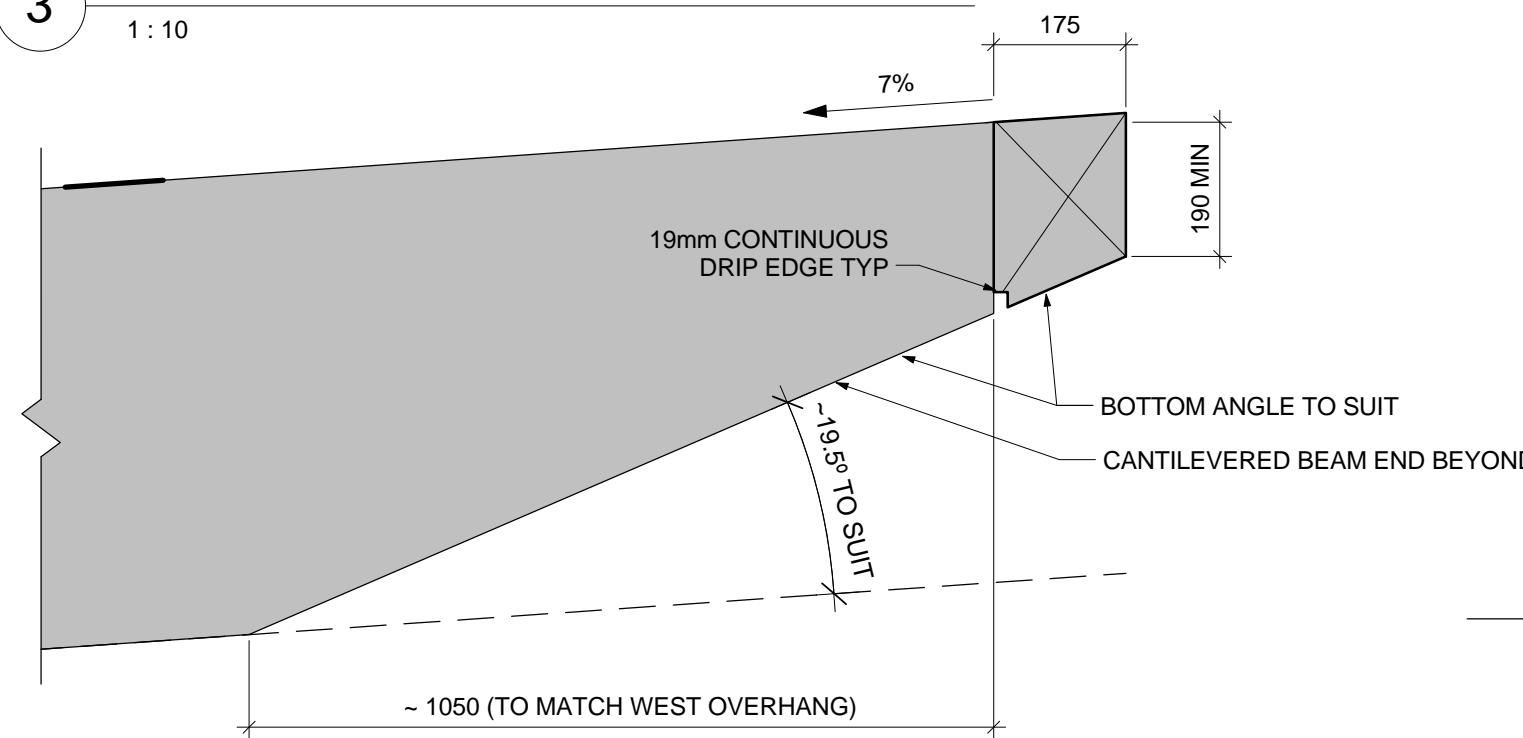
8 ROOF CURB WALL NORTH - FLUSH  
1:5



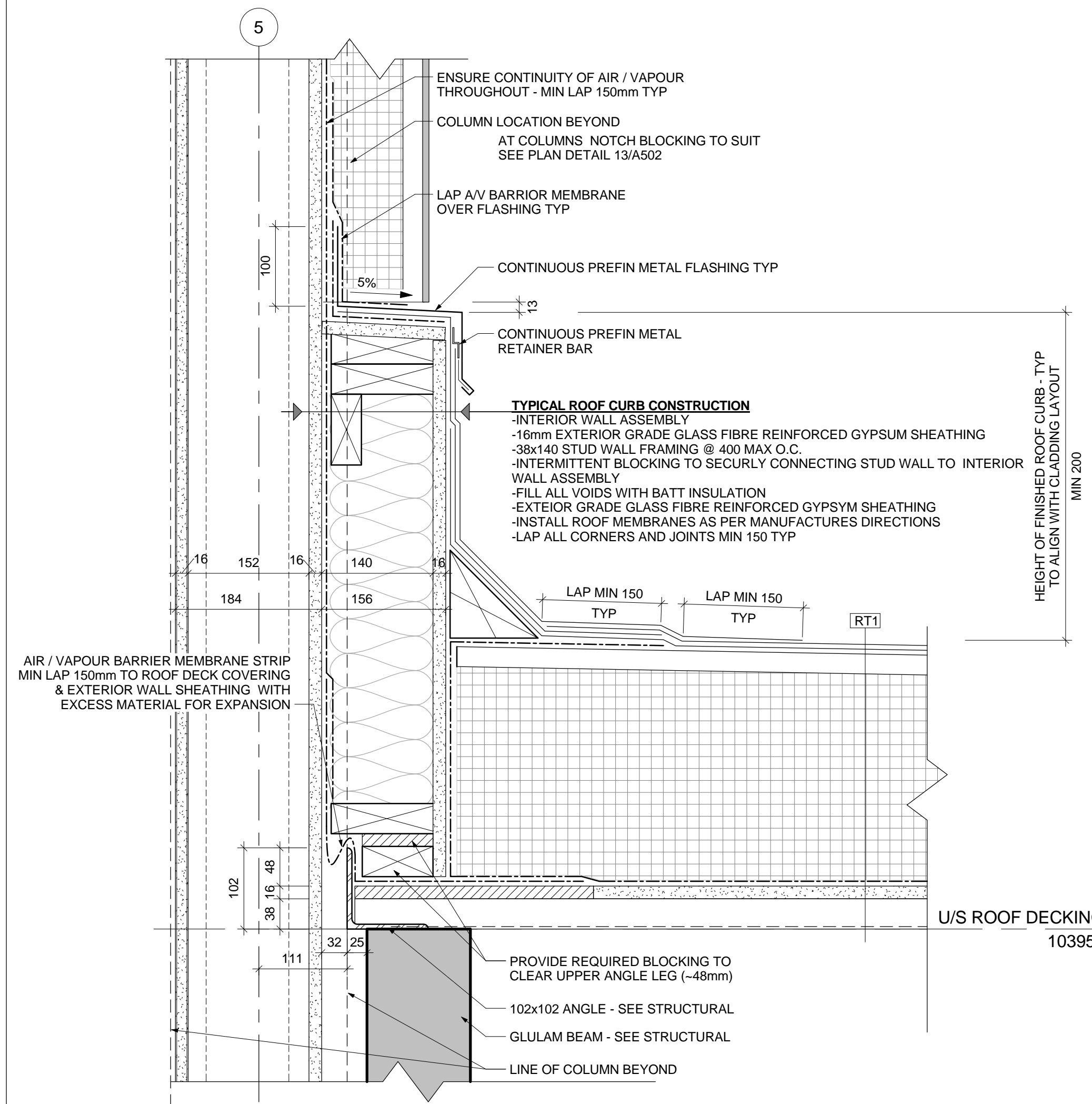
2 BEAM END NORTH CONNECTION  
1:10



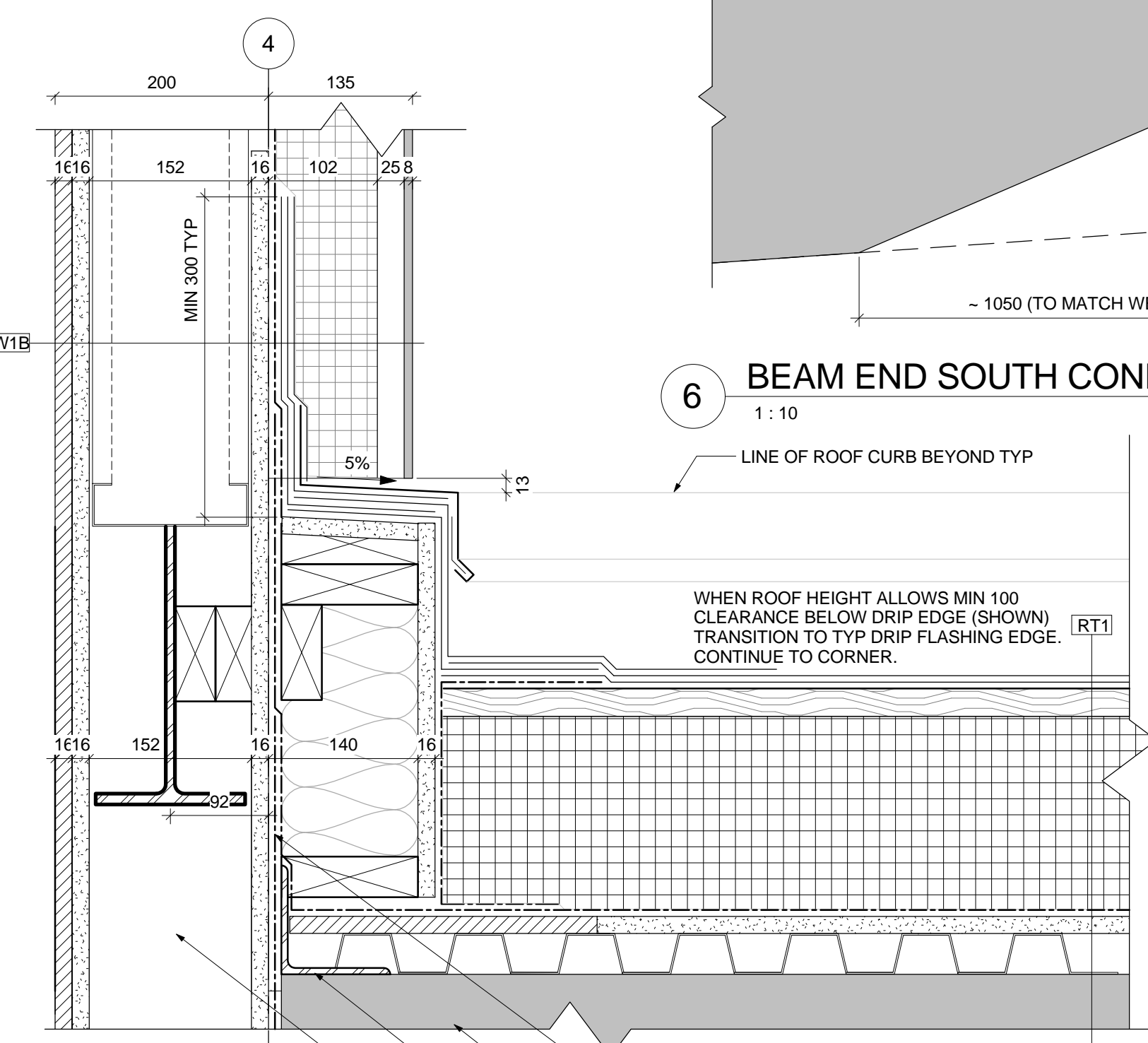
5 BEAM END WEST CONDITION  
1:10



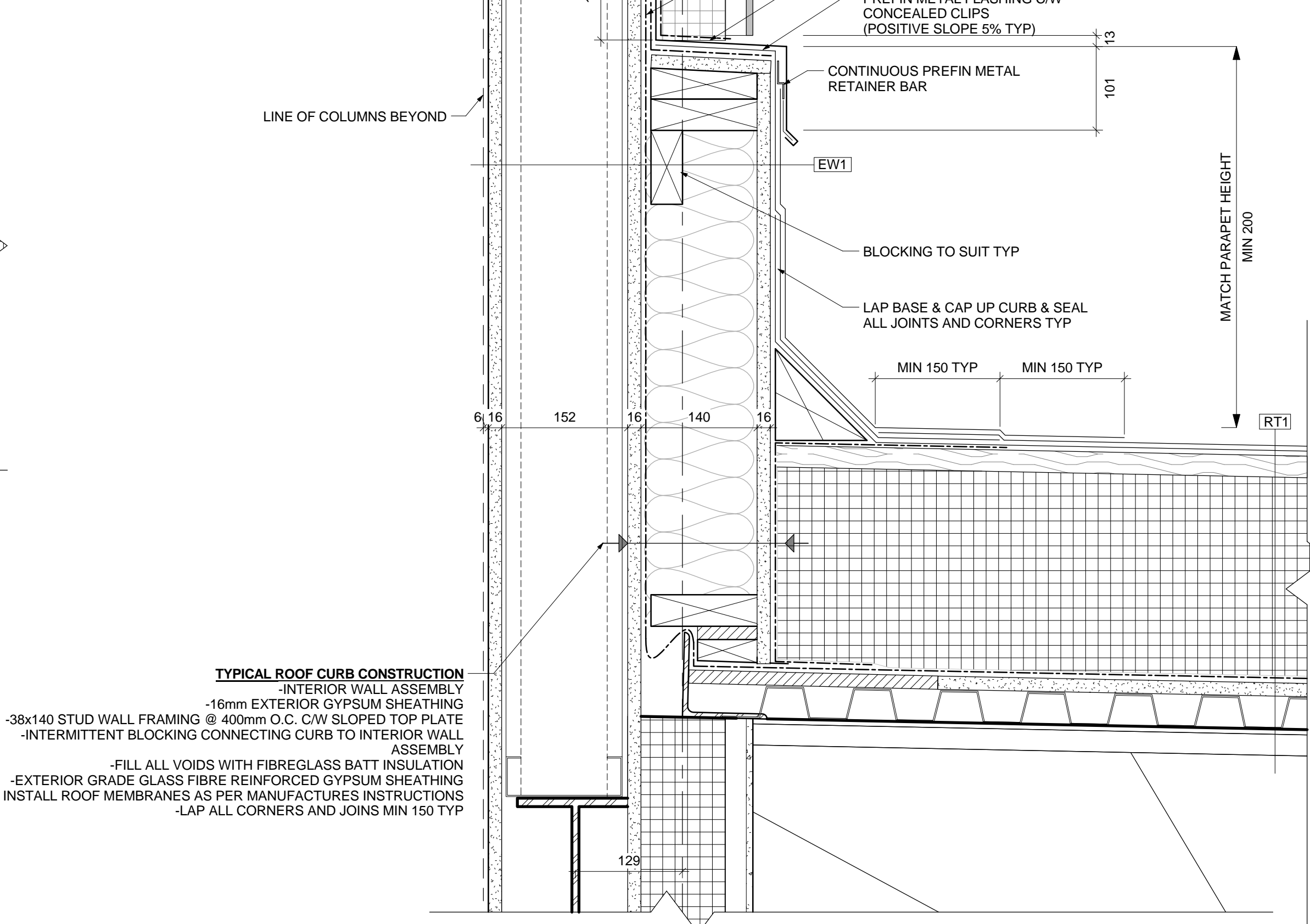
6 BEAM END SOUTH CONDITION  
1:10



10 ROOF CURB WALL WEST  
1:5



11 ROOF CURB WALL NORTH  
1:5



9 ROOF CURB WALL SOUTH  
1:5

