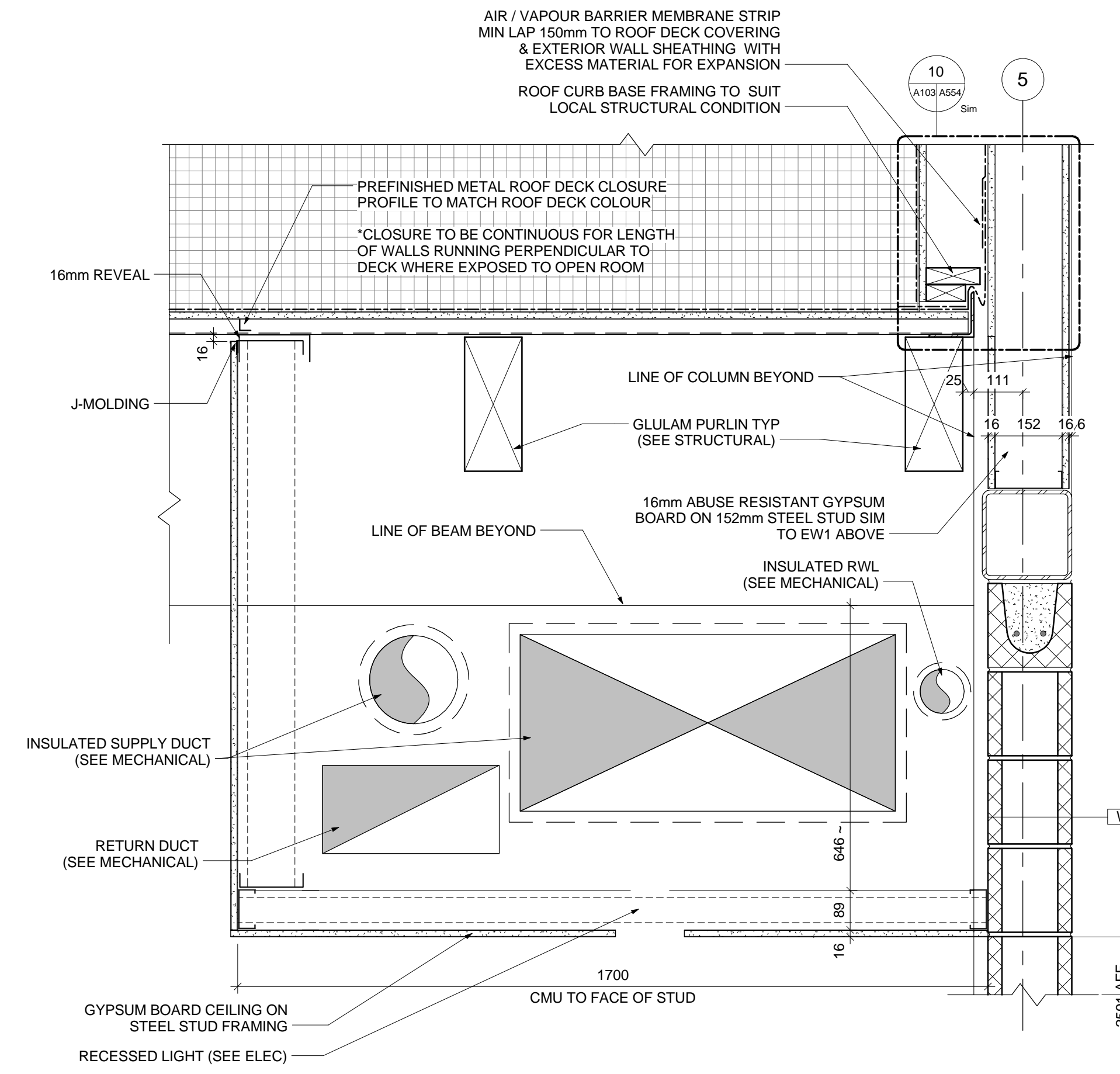


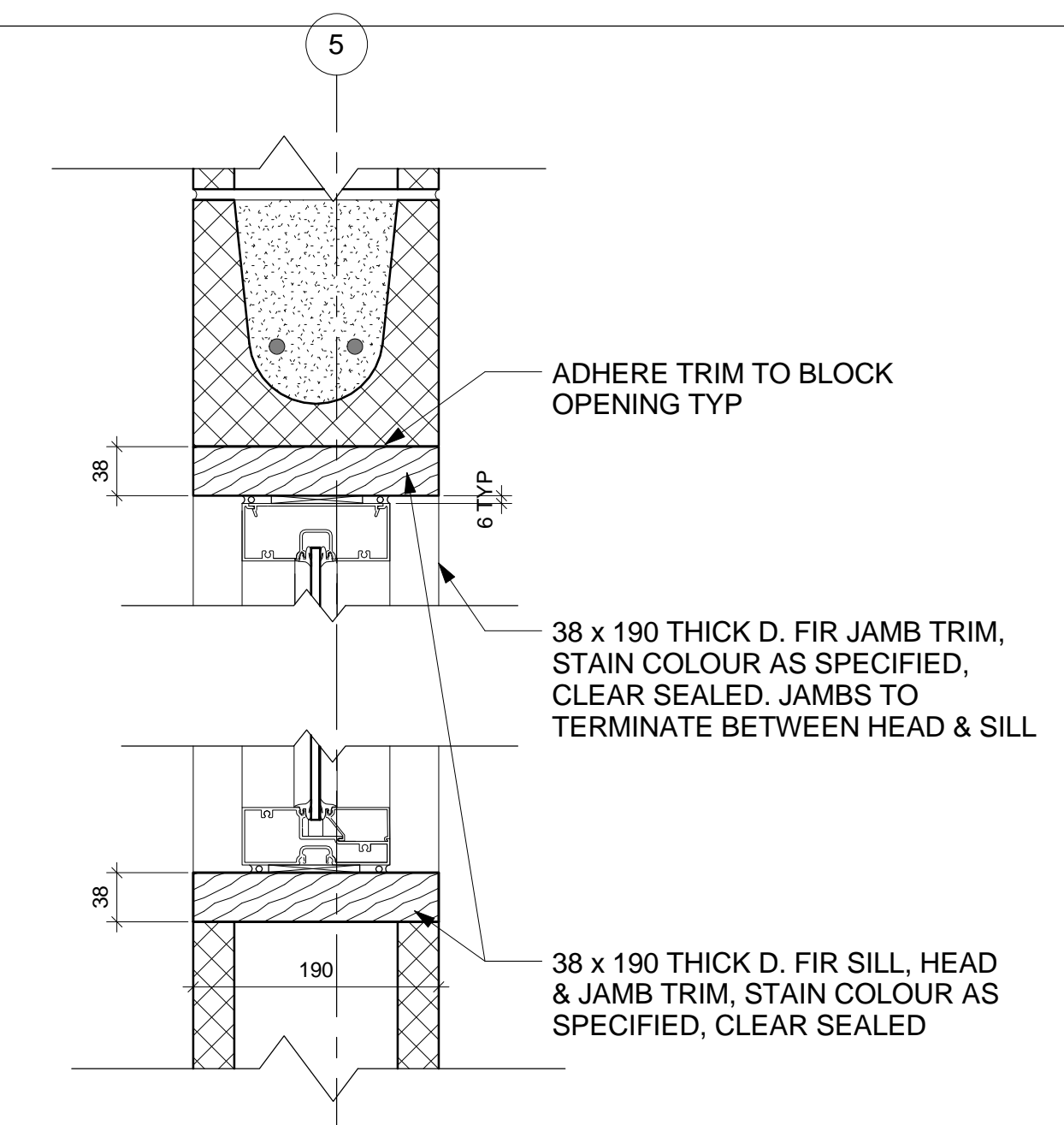
1 BULKHEAD SECTION DETAIL @ SKATE FOYER

1:10



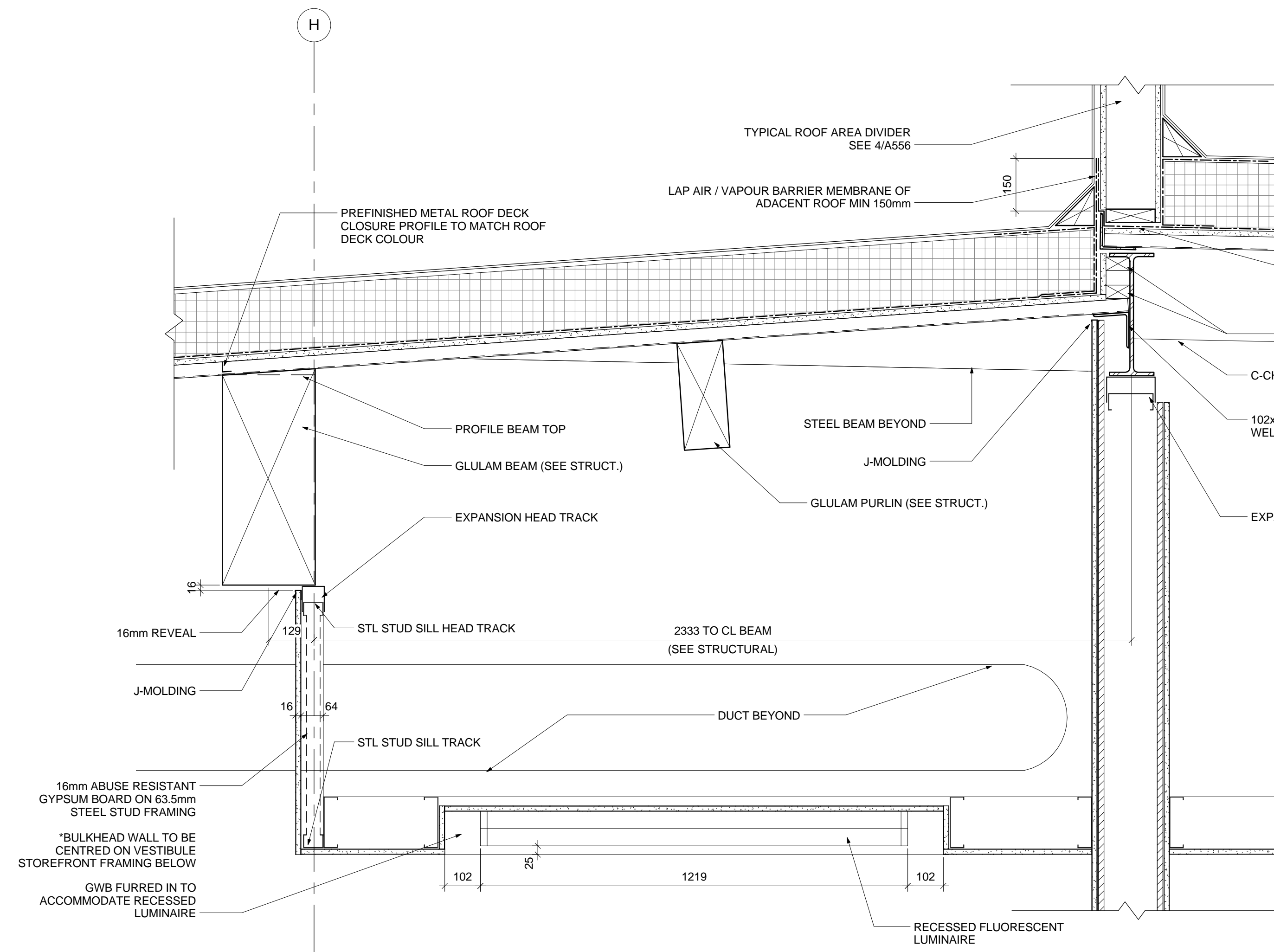
2 BULKHEAD SECTION DETAIL @ MULTIPURPOSE ROOM

1:10



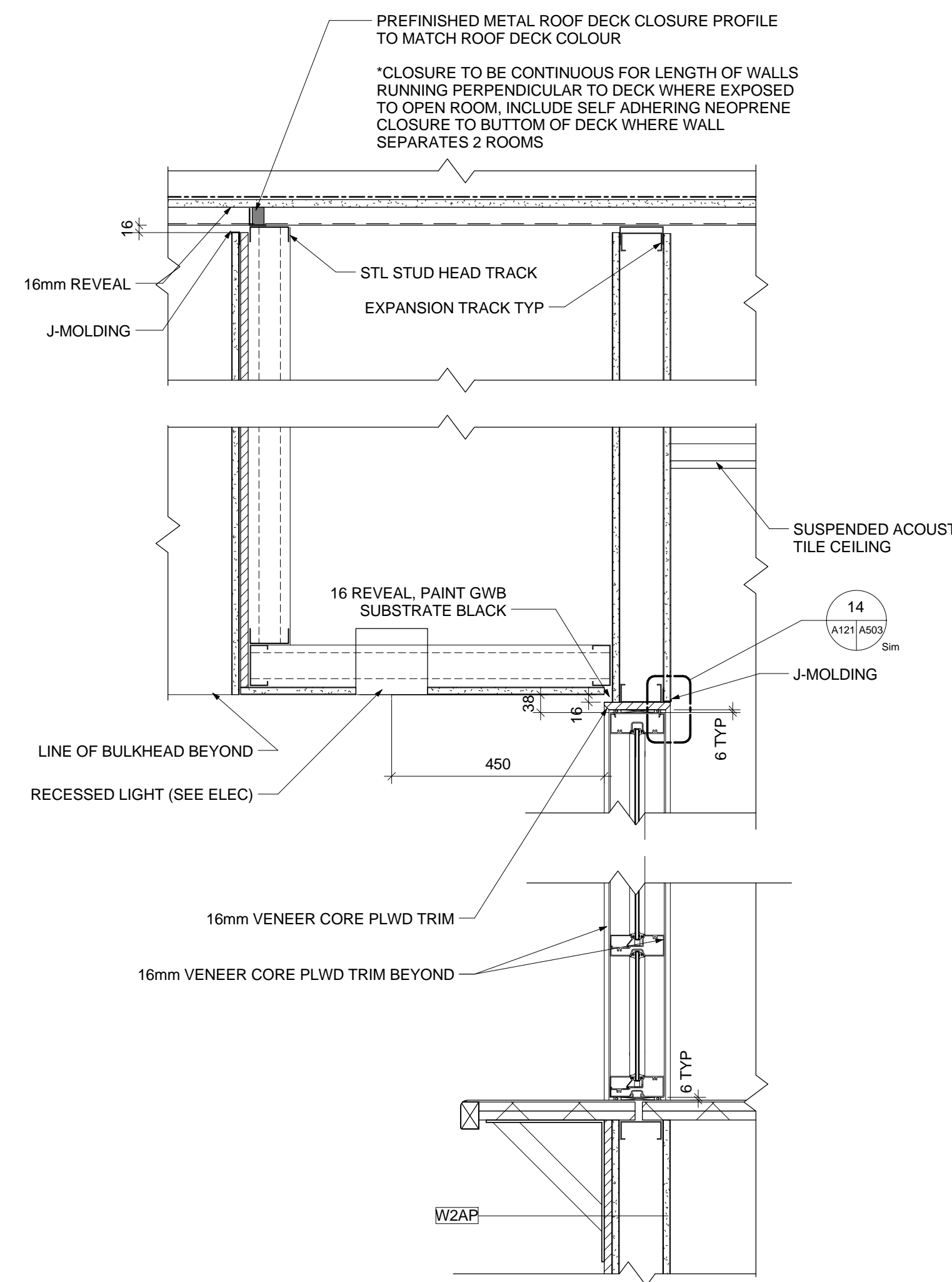
3 INTERIOR STOREFRONT HEAD & SILL @ BLOCK

1:5



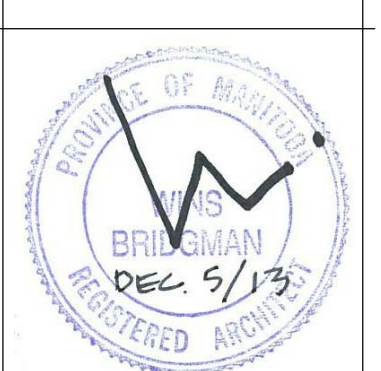
4 BULKHEAD SECTION DETAIL @ FOYER

1:10



5 BULKHEAD SECTION DETAIL @ OFFICE

1:10



Winnipeg
THE CITY OF WINNIPEG PLANNING,
PROPERTY AND DEVELOPMENT
DEPARTMENT
MUNICIPAL ACCOMMODATIONS DIVISION
4TH FLOOR - 185 KING STREET
W2B 1J1

Project:
EAST ELMWOOD
COMMUNITY
CENTRE
490 KEENLEYSIDE,
WINNIPEG, MB

Project Number: 2013-041
Bid Opportunity Number: 748-2013

Drawing Title:
SECTION DETAILS

#	Issue/Revision	Date
1	ISSUED FOR TENDER	2013-12-09

Design By:
Date:

Design Check:
Date:

Drawn By:
Date:

DWG Check:
Date:

Sheet No: **A557**

This drawing is property of the Consultant and cannot be reproduced or used without the consent of the Consultant. The contractor is responsible for checking and verifying all levels and dimensions and shall report all discrepancies to the Consultant and obtain clarification prior to commencing work.