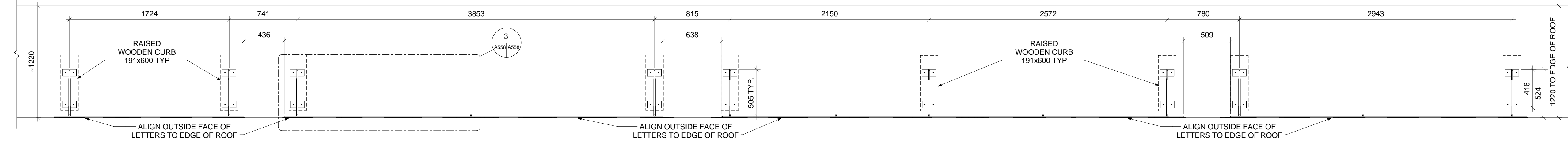
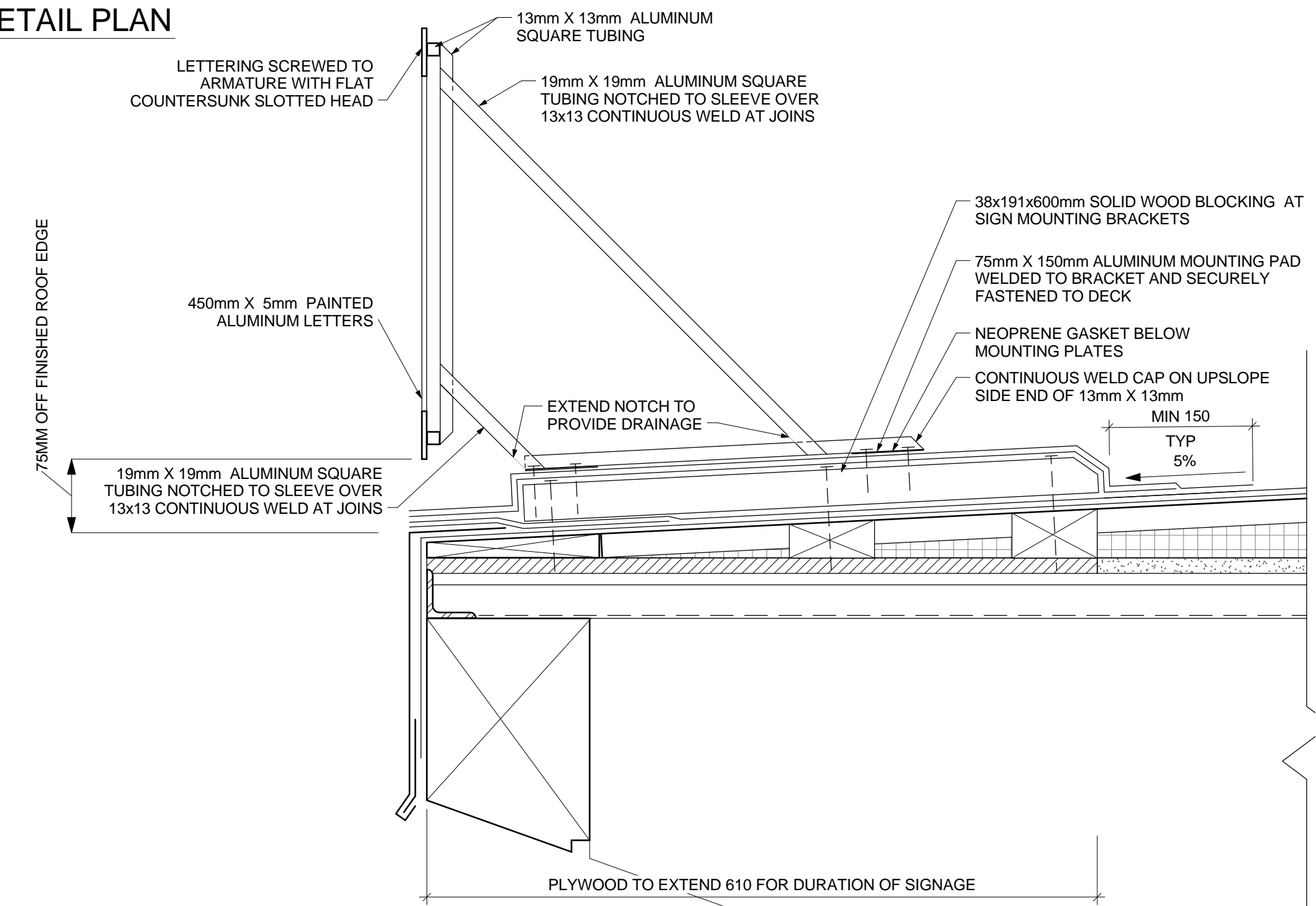


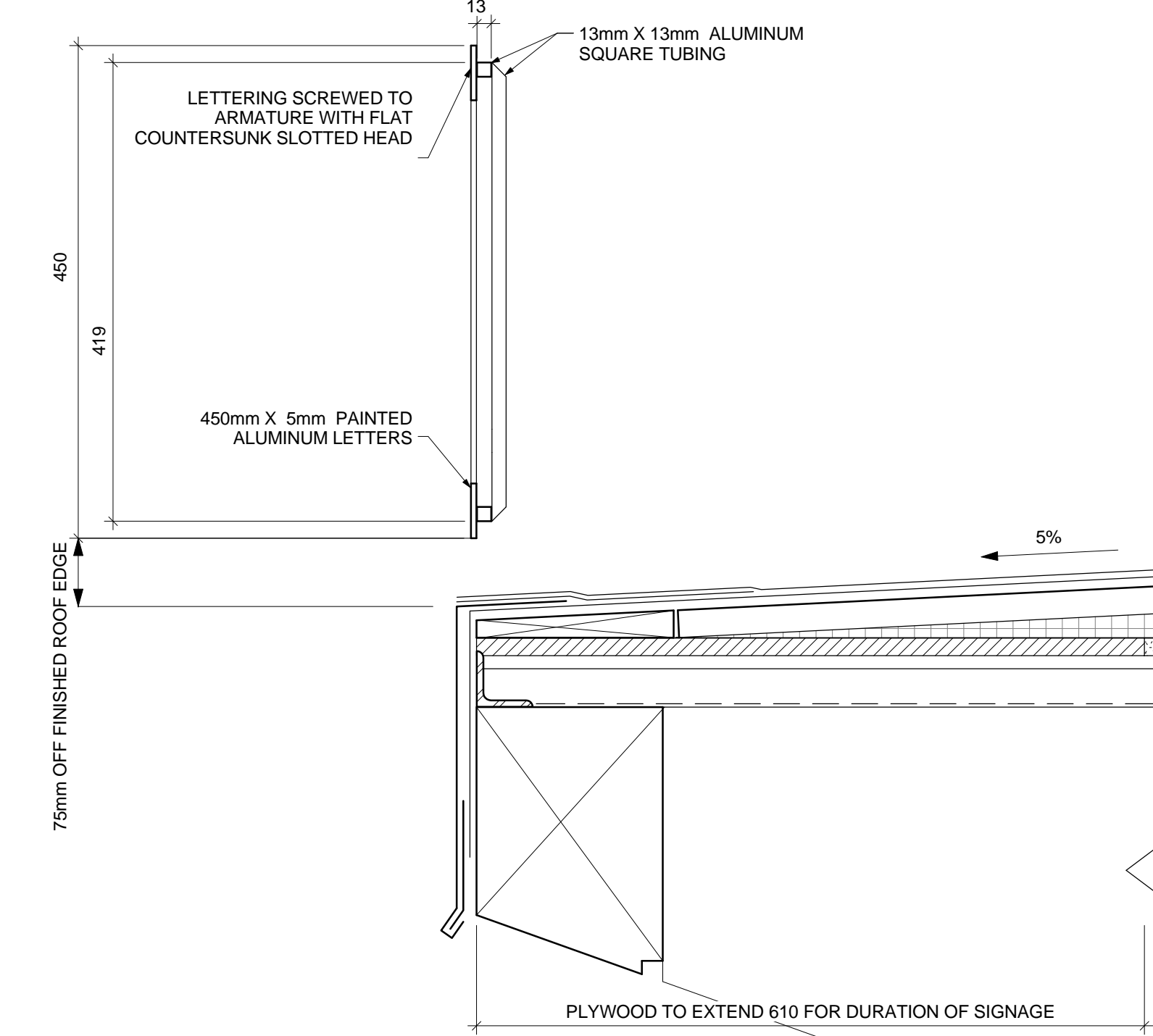
**1 ROOF SIGNAGE**  
1:25



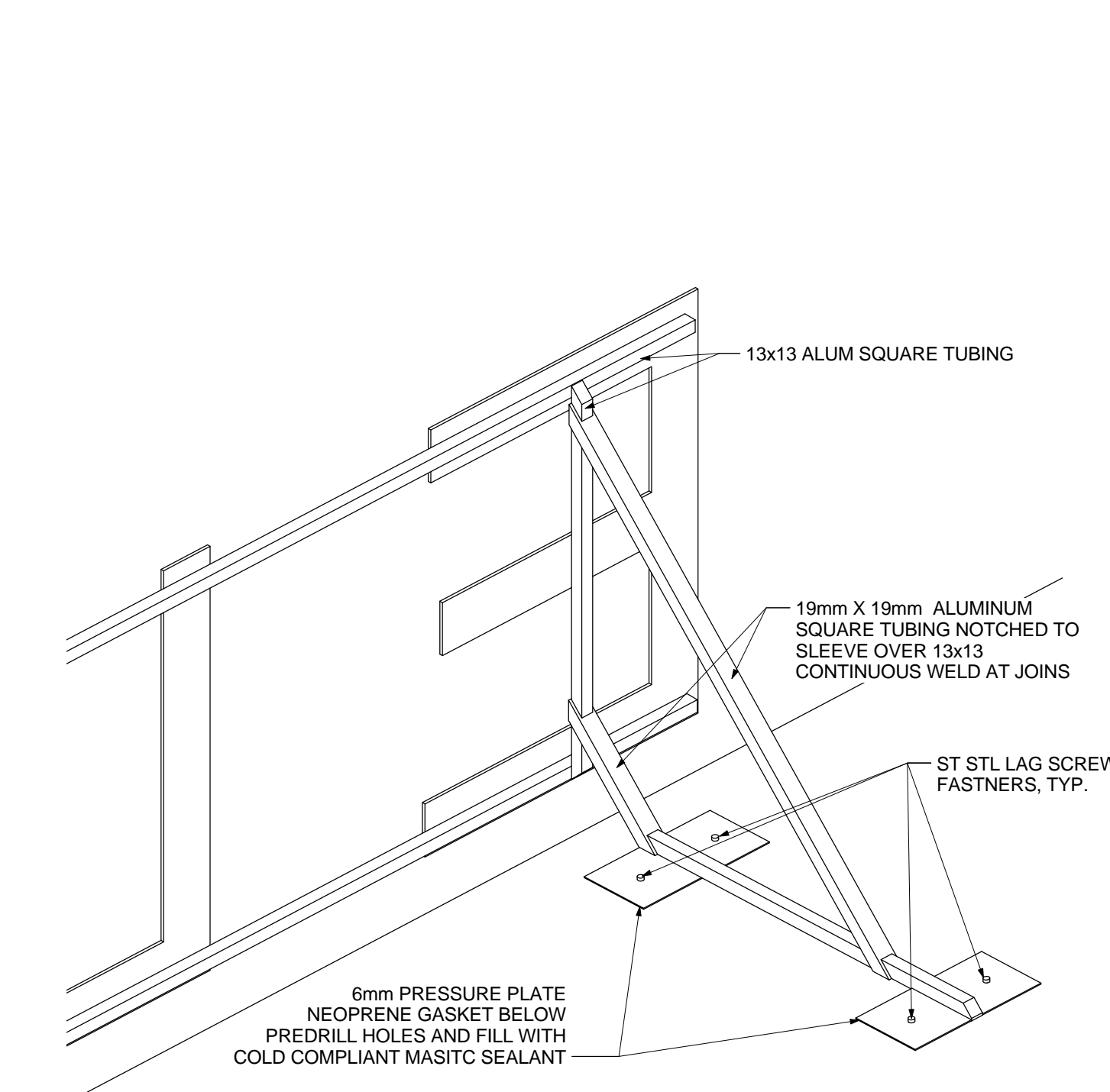
**2 ROOF TOP SIGNAGE DETAIL PLAN**  
1:25



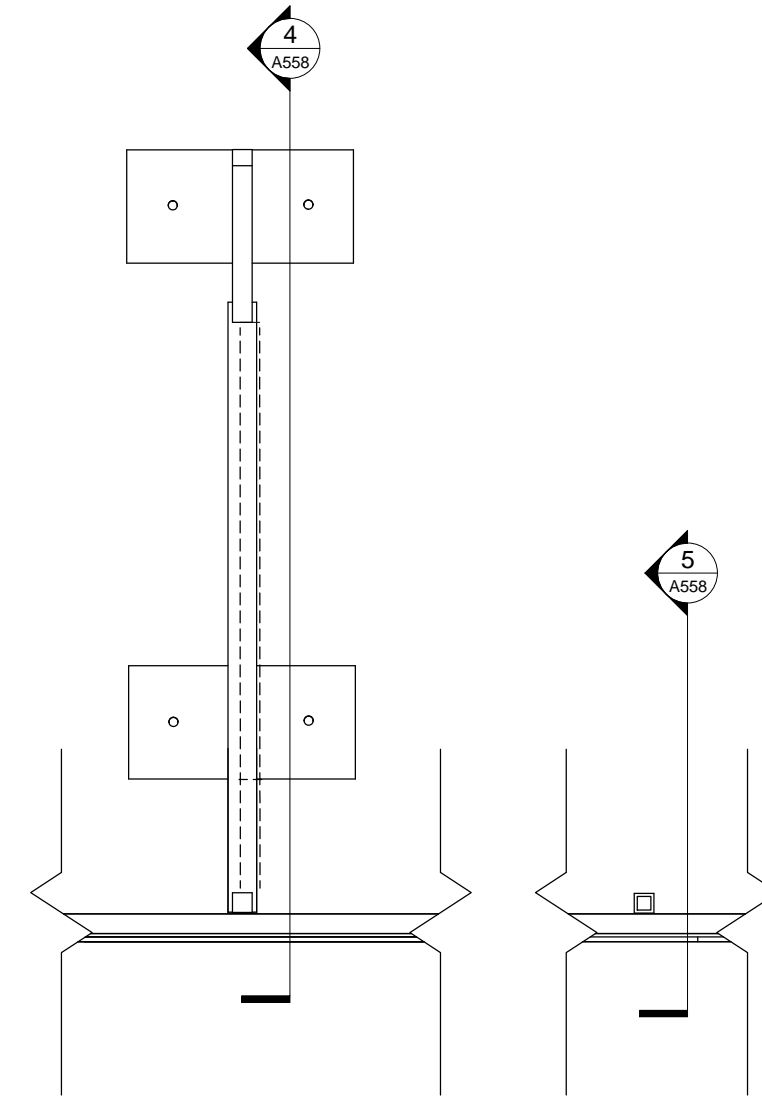
**4 ROOF TOP SIGNAGE AT ARMATURE**  
1:5



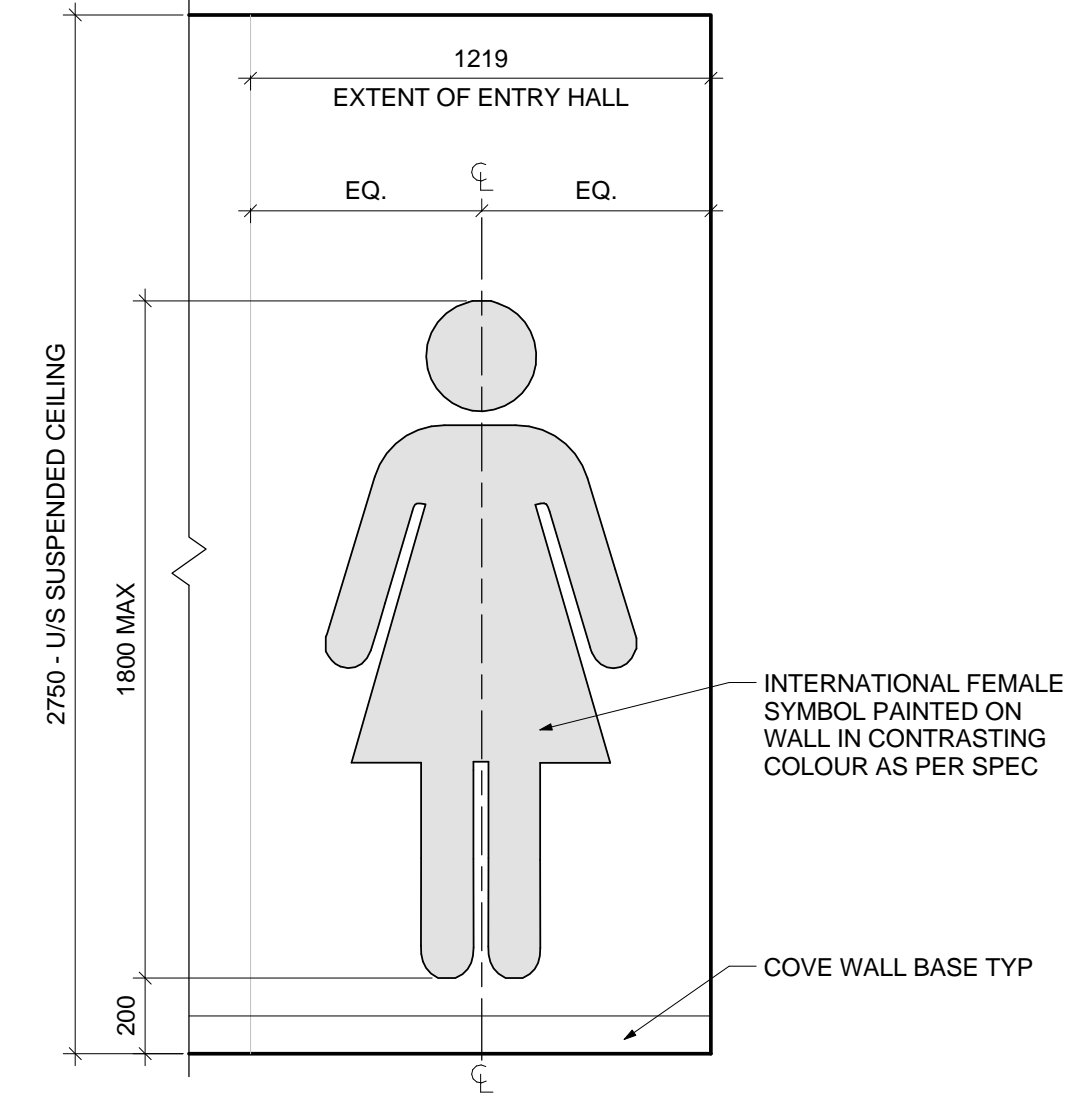
**5 ROOF TOP SIGNAGE AT STRUT**  
1:5



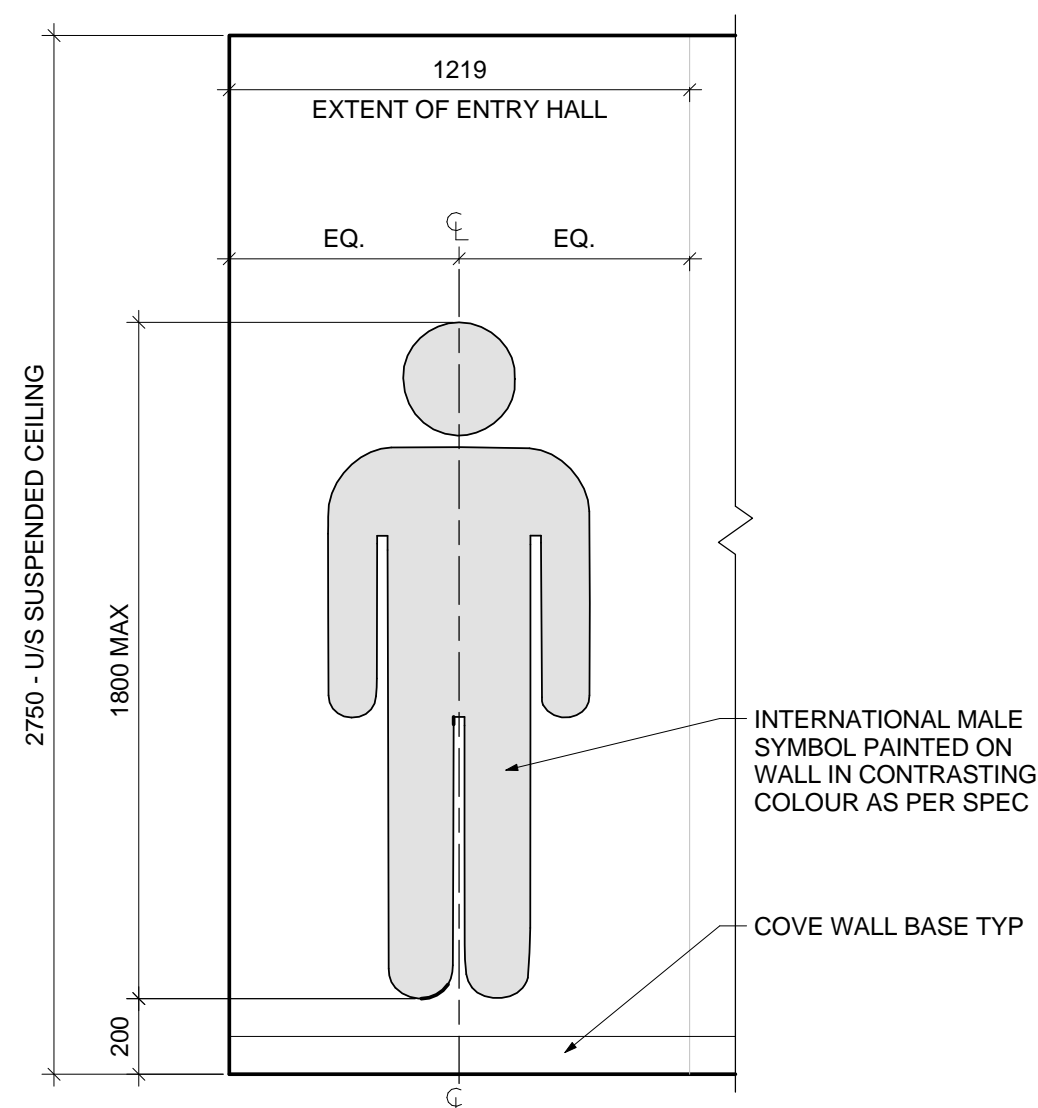
**6 ROOF SIGNAGE SUPPORT**



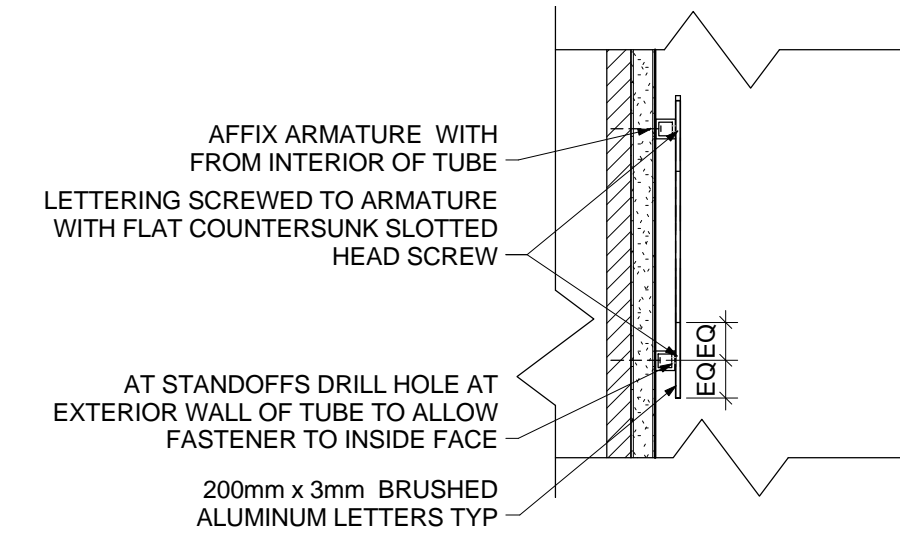
**3 SIGNAGE SUPPORT PLAN**  
1:5



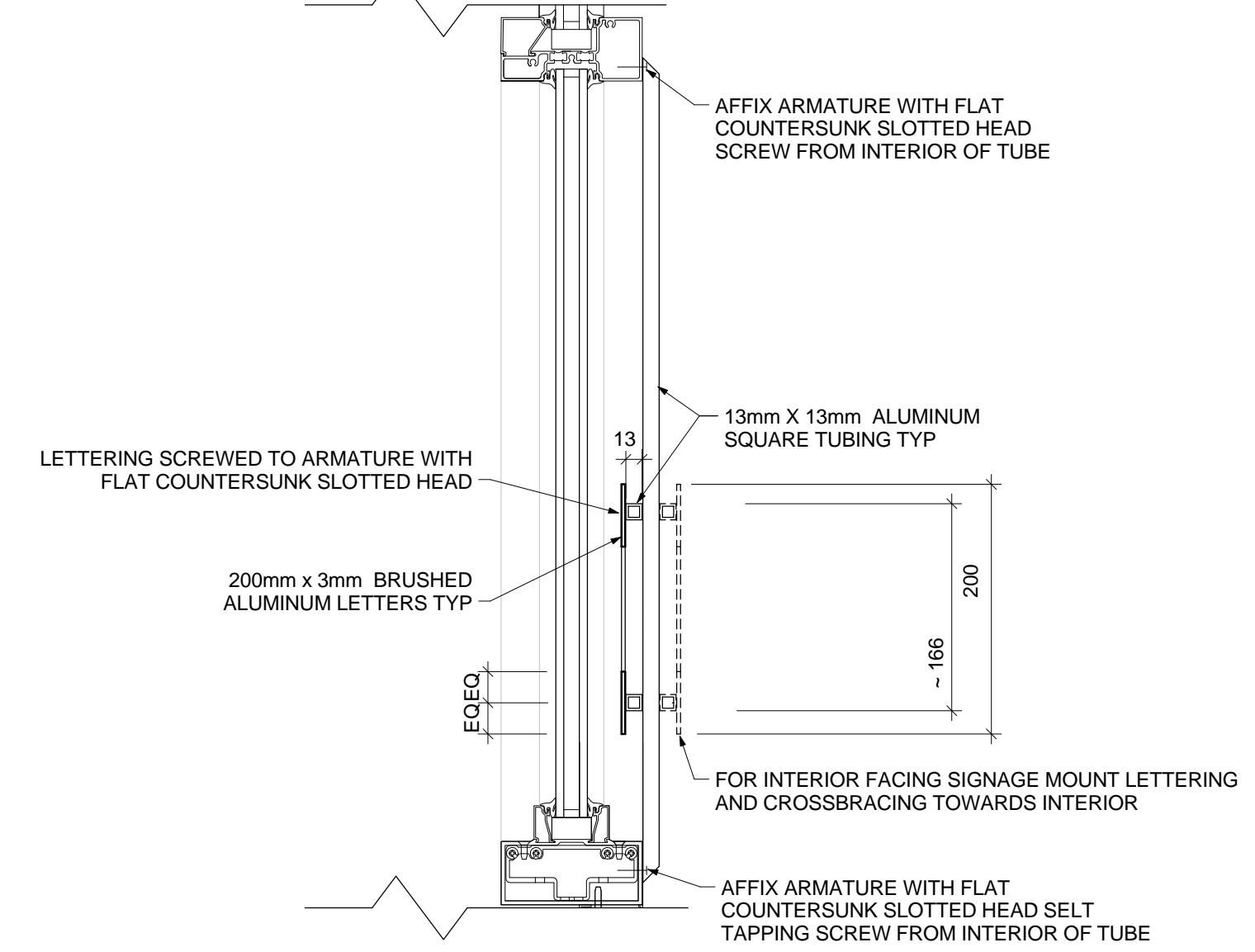
**7 WOMENS WASHROOM SYMBOL**  
1:20



**8 MENS WASHROOM SYMBOL**  
1:20



**9 SIGNAGE - GWB STANDOFF ARMATURE**  
1:5



**10 INTERIOR SIGNAGE SUPPORT TYP**  
1:5

**NOTE:**  
COORDINATE LOCATION OF SIGNAGE ON ROOF WITH CONTRACT ADMINISTRATOR ON SITE