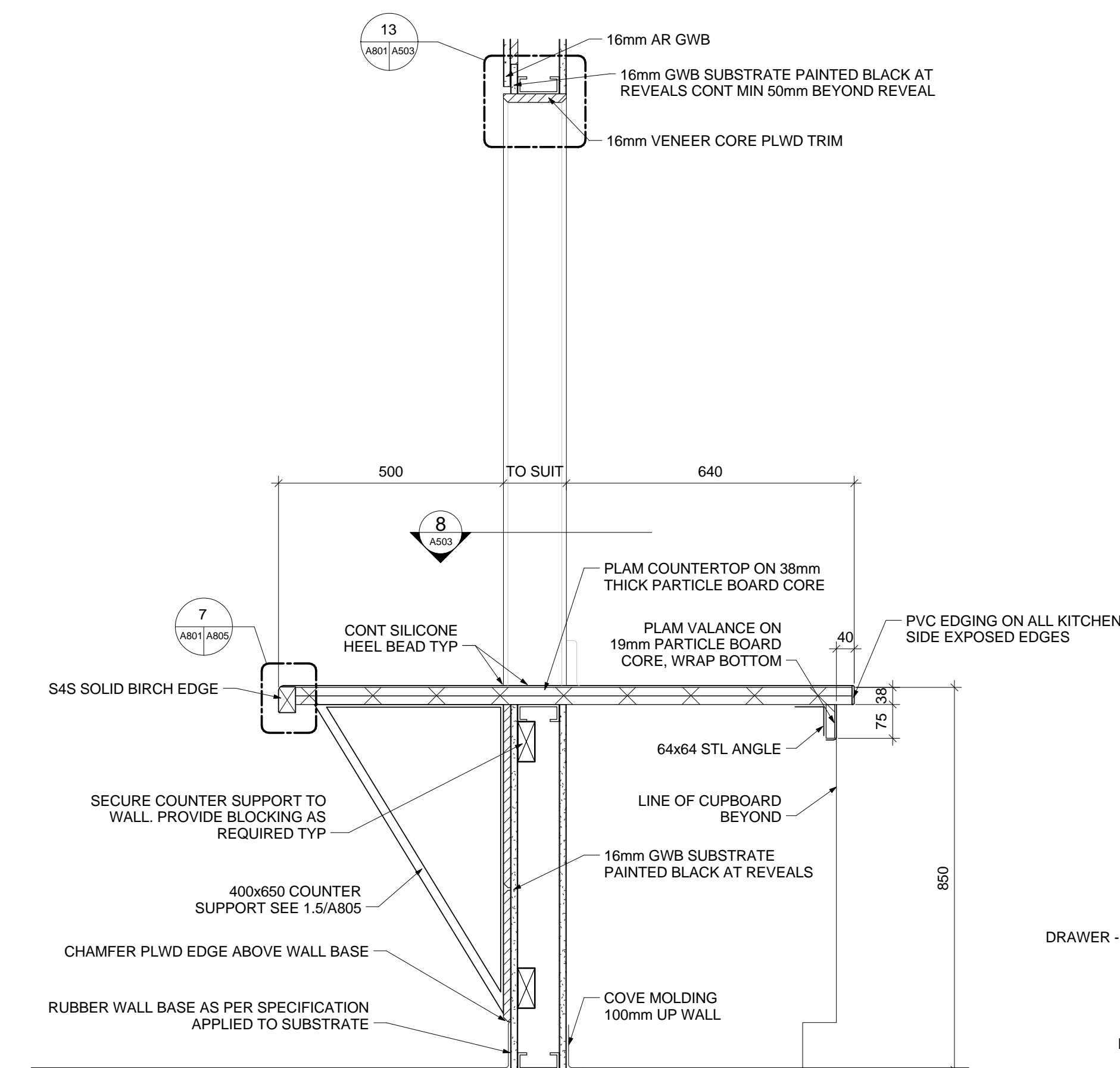
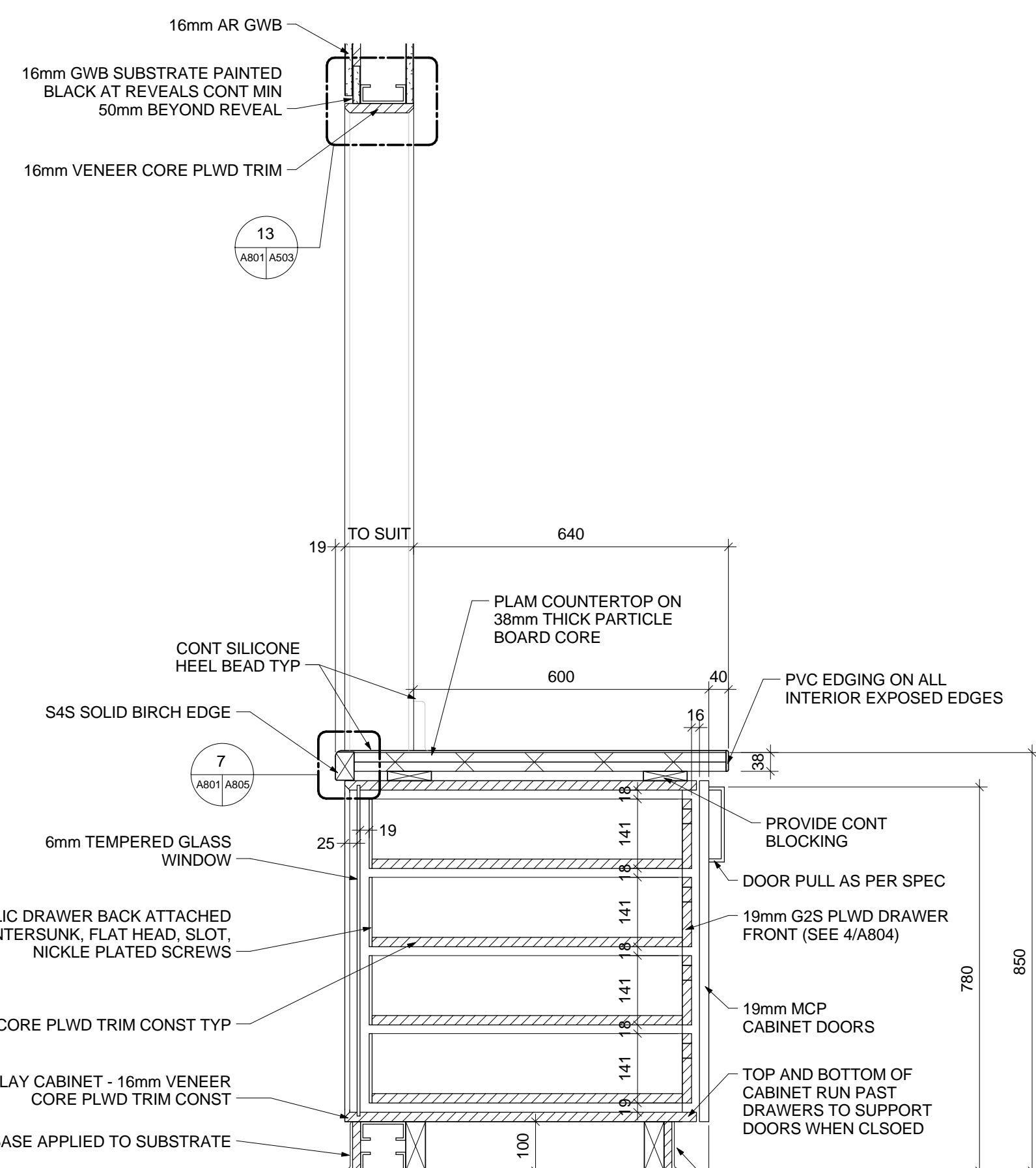


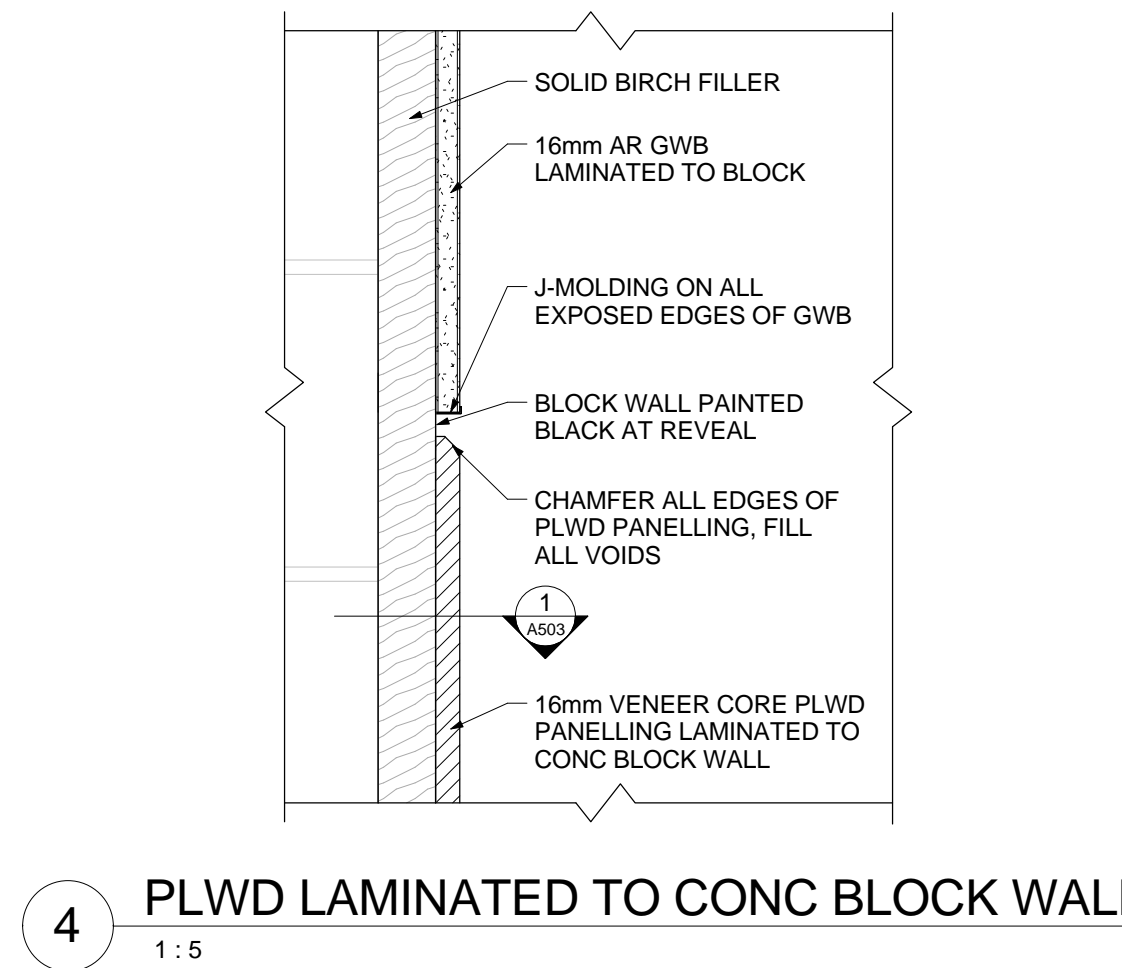
1 RM 106 - Canteen Millwork Elevation
1:10



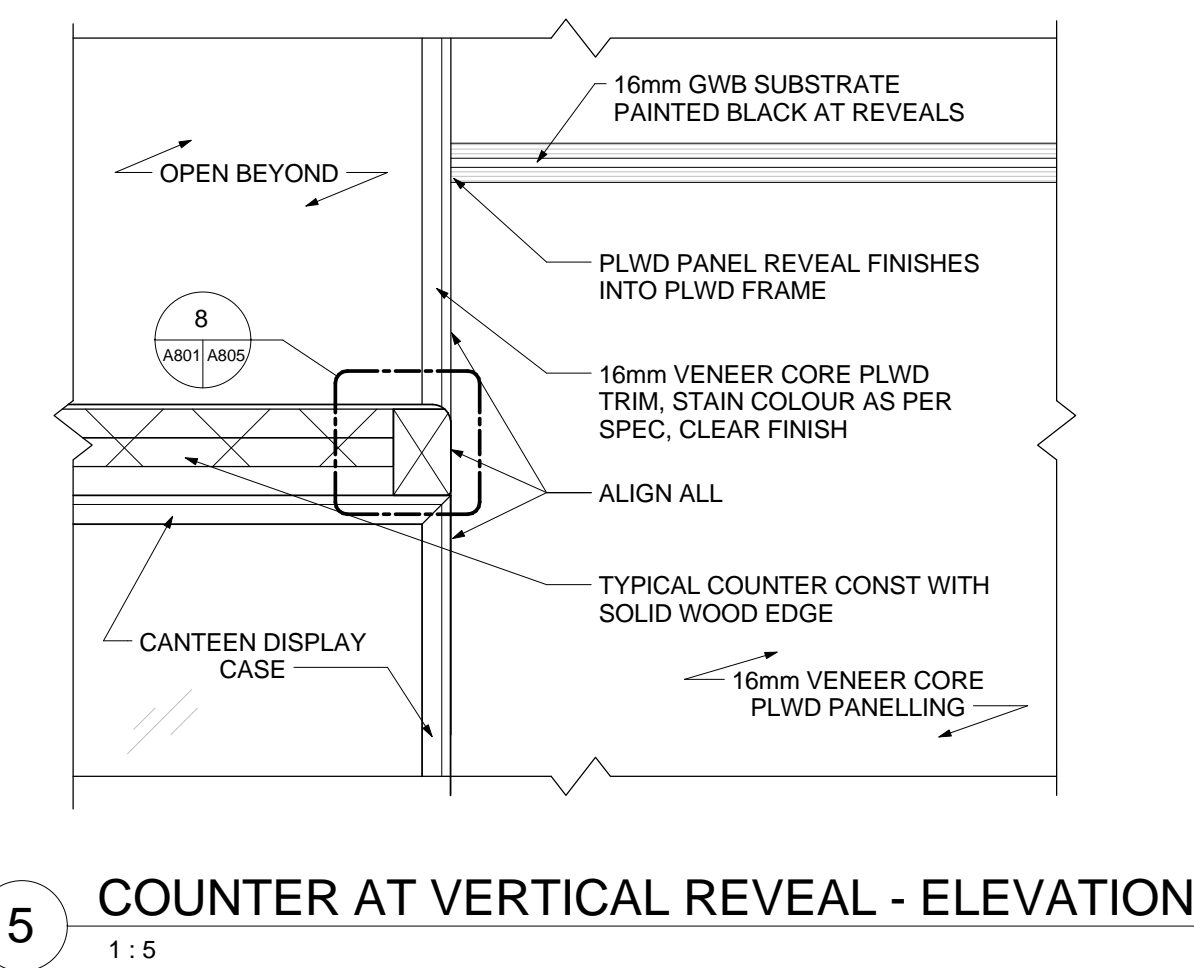
2 RM 106 - Canteen Counter
1:10



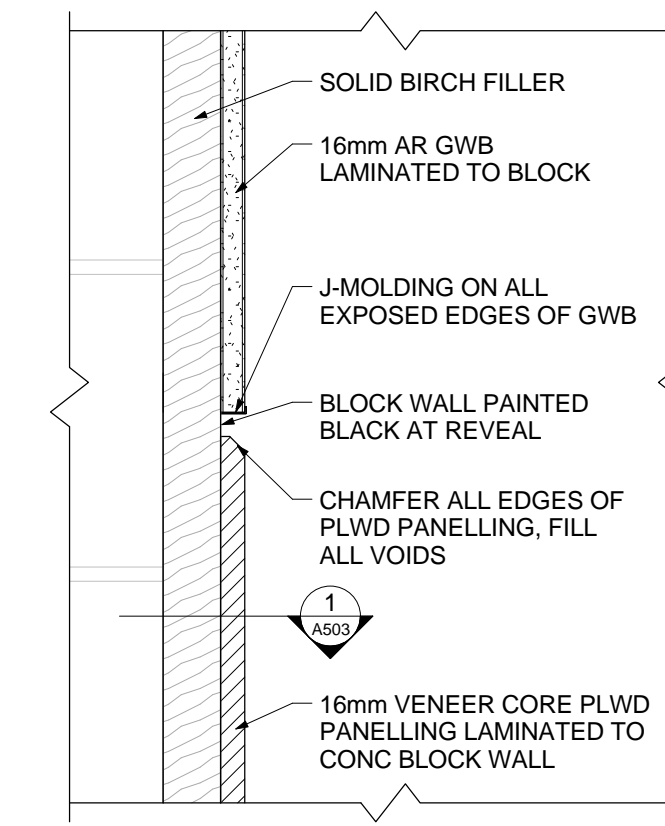
3 RM 106 - Canteen Display Cabinet
1:10



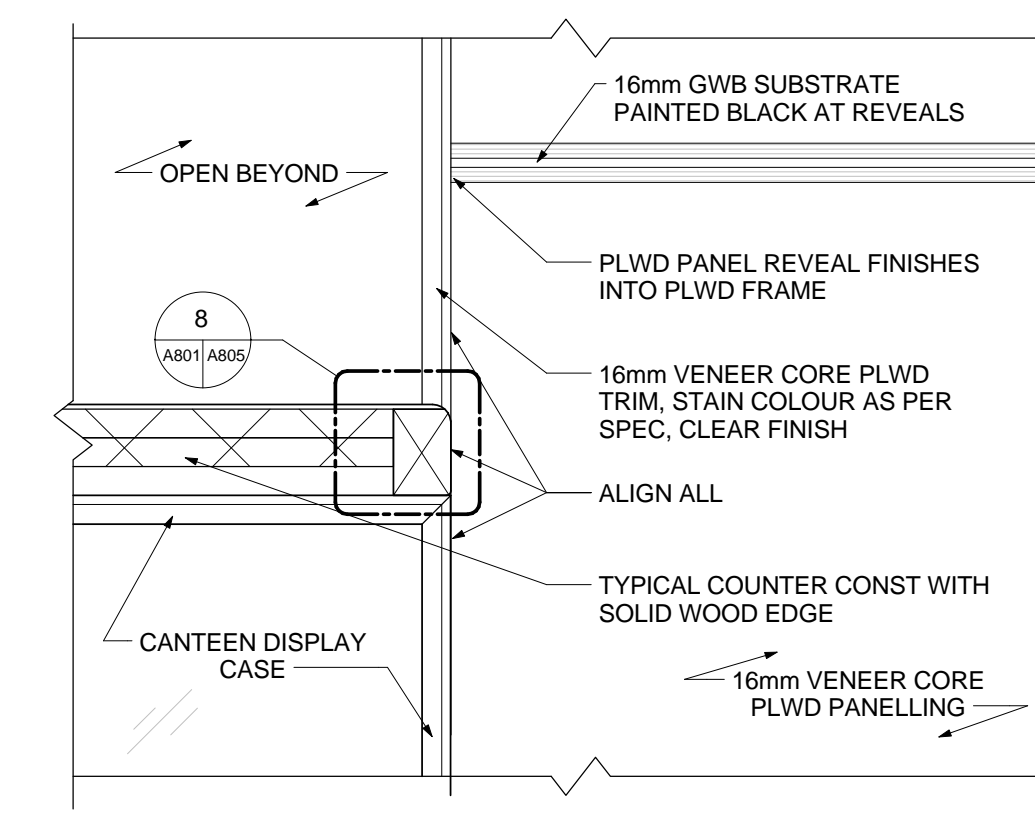
6 RM 106 - Bench with Arms
1:10



7 Display Case Glass Connection
1:10

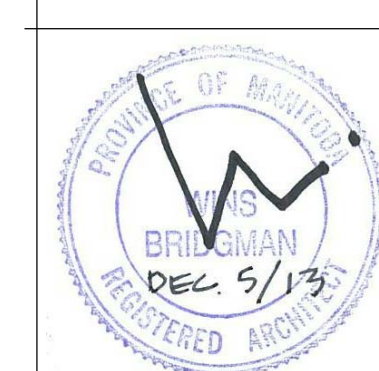


4 PLWD laminated to conc block wall
1:5



5 Counter at vertical reveal - elevation
1:5

bridgman collaborative
 architecture
 678 MAIN STREET WINNIPEG, MB R3B 1E4
 204 488 3857 tel. 204 488 0216 fax.
 www.bridgmancollaborative.ca



Project:
EAST ELMWOOD
COMMUNITY
CENTRE
490 KEENLEYSIDE,
WINNIPEG, MB

Project Number: 2013-041
Bid Opportunity Number: 748-2013

Drawing Title:
MILLWORK DETAILS

#	Issue/Revision	Date
1	ISSUED FOR TENDER	2013-12-09

Design By: _____
Date: _____

Design Check: _____
Date: _____

Drawn By: _____
Date: _____

DWG Check: _____
Date: _____

Sheet No: **A802**

This drawing is property of the Consultant and cannot be reproduced or used without the consent of the Consultant. The contractor is responsible for checking and verifying all levels and dimensions and shall report all discrepancies to the Consultant and obtain clarification prior to commencing work.