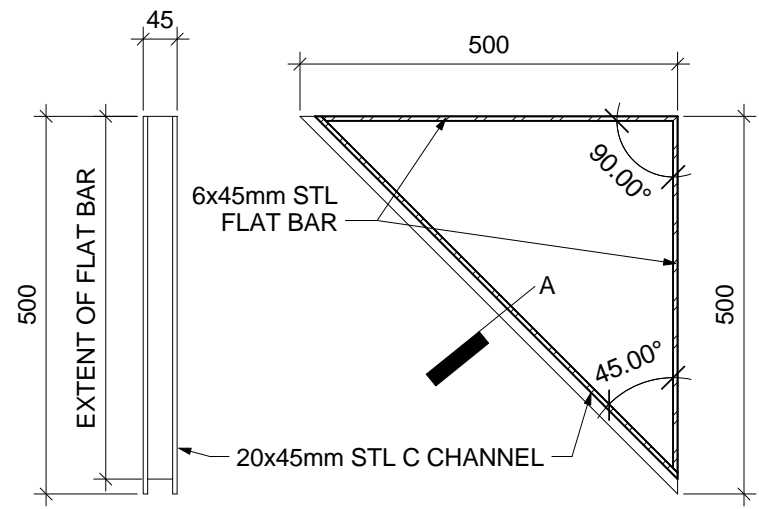
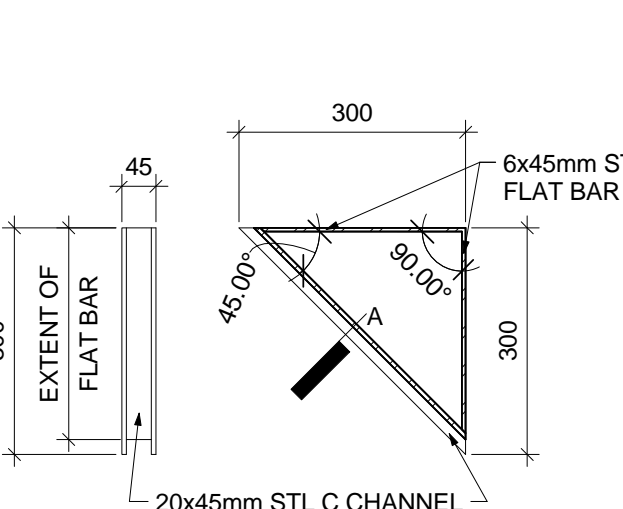


SECTION DETAIL - A

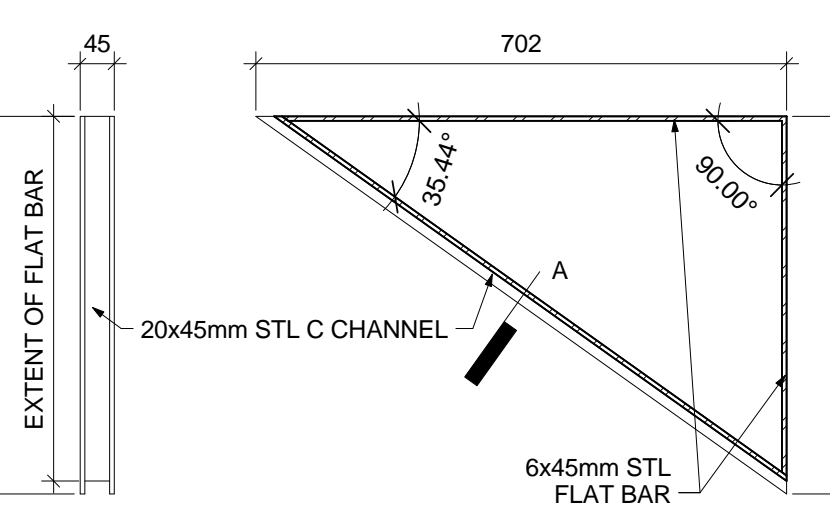
GENERAL NOTES FOR COUNTER AND BENCH SUPPORTS:
 1. ALL WELDS TO BE CONTINUOUS AND GROUND SMOOTH.
 2. PROVIDE SUFFICIENT BLOCKING IN WALLS FOR ALL COUNTER AND SHELF SUPPORTS TYPICAL.
 3. C CHANNEL FINIS TO EXTEND BEYOND FLAT BAR PROFILE AND FINISH INTO WALL AND/OR U/S OF COUNTERTOP.



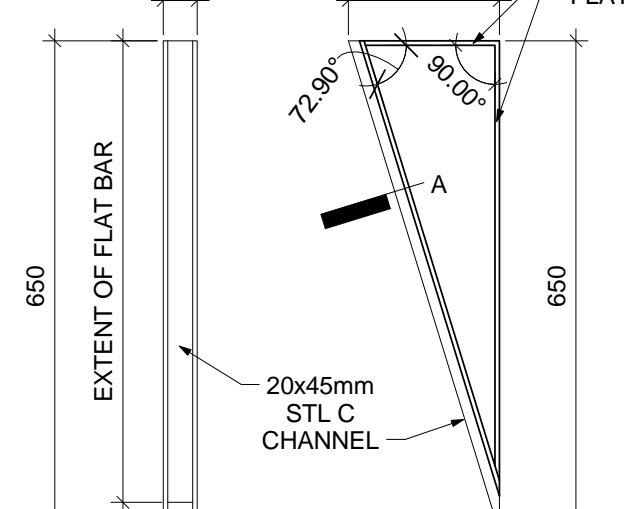
1 500x500 STEEL SUPPORT



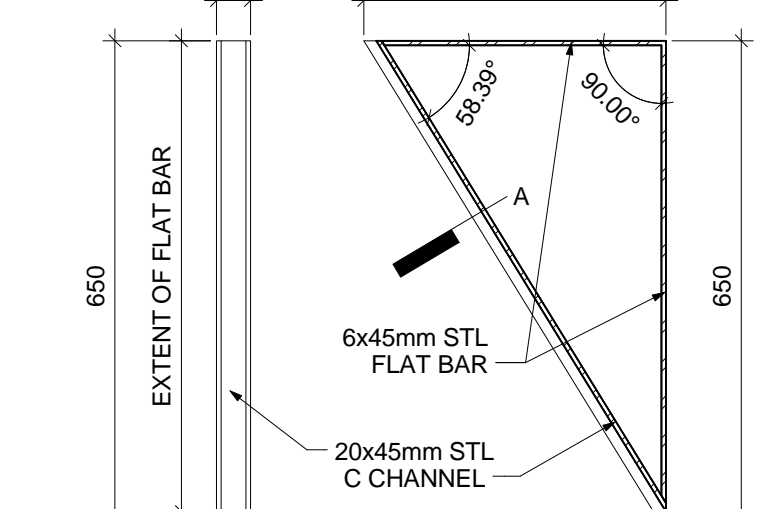
2 300x300 STEEL SUPPORT



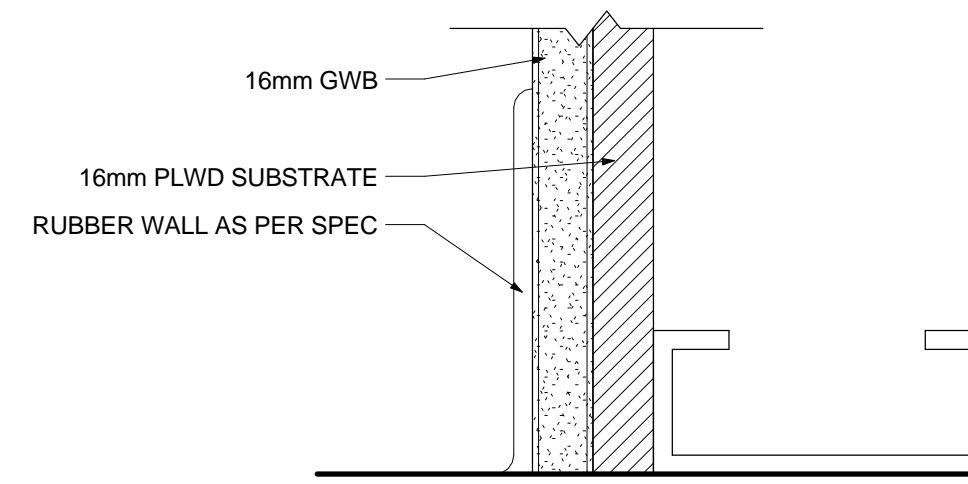
3 700x500 STEEL SUPPORT



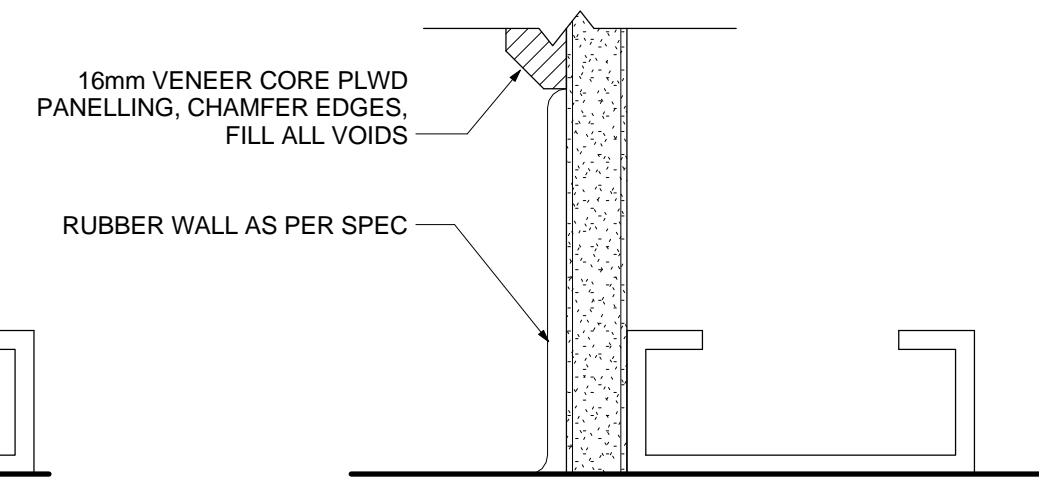
4 200x650 STEEL SUPPORT



5 400x650 STEEL SUPPORT

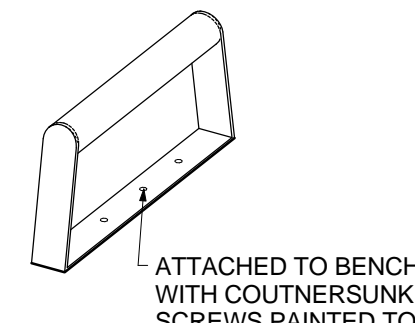


WALL BASE APPLIED TO FINISH MATERIAL TYPICAL UNLESS NOTED OTHERWISE

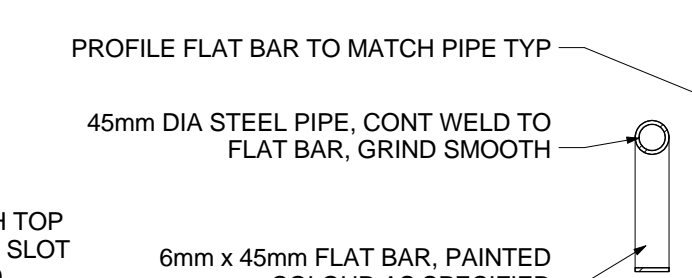


RUBBER WALL BASE APPLIED TO SUBSTRATE IN RM 101, RM 106, RM 106A AND COR01

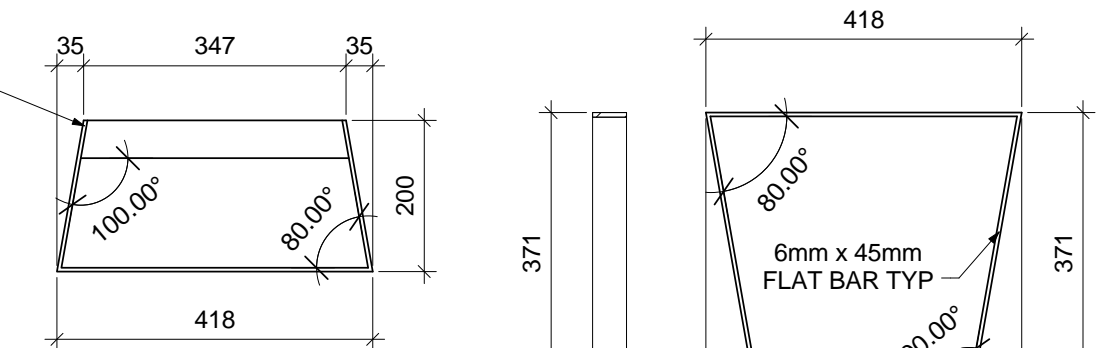
2 RUBBER WALL BASES
1:2



ARM REST AXONOMETRIC

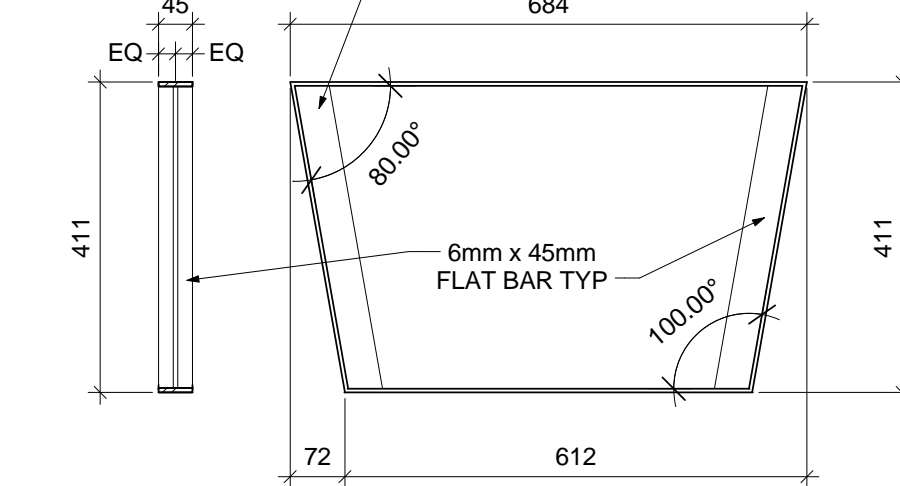


PROFILE FLAT BAR TO MATCH PIPE TYP
45mm DIA STEEL PIPE, CONT WELD TO FLAT BAR, GRIND SMOOTH

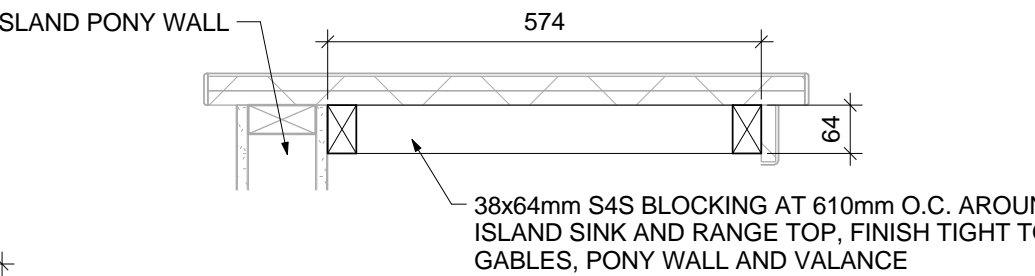


6 ARM REST

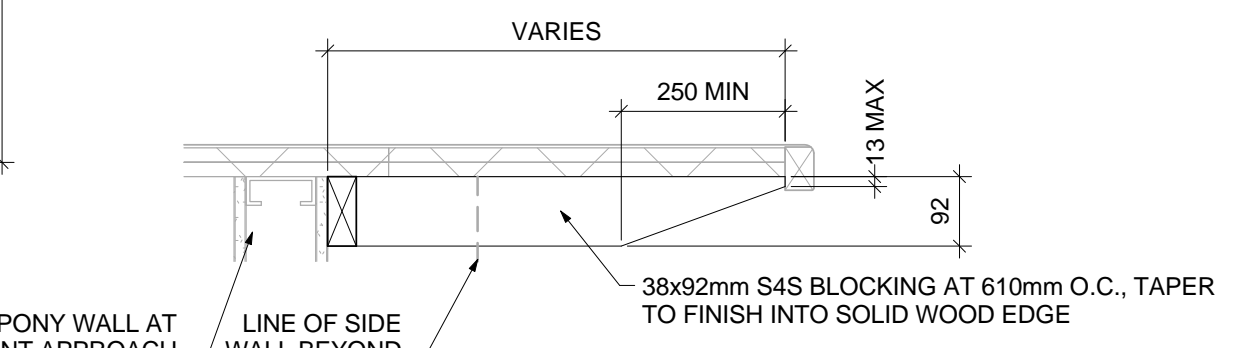
7 SKATE CHANGE BENCH SUPPORT



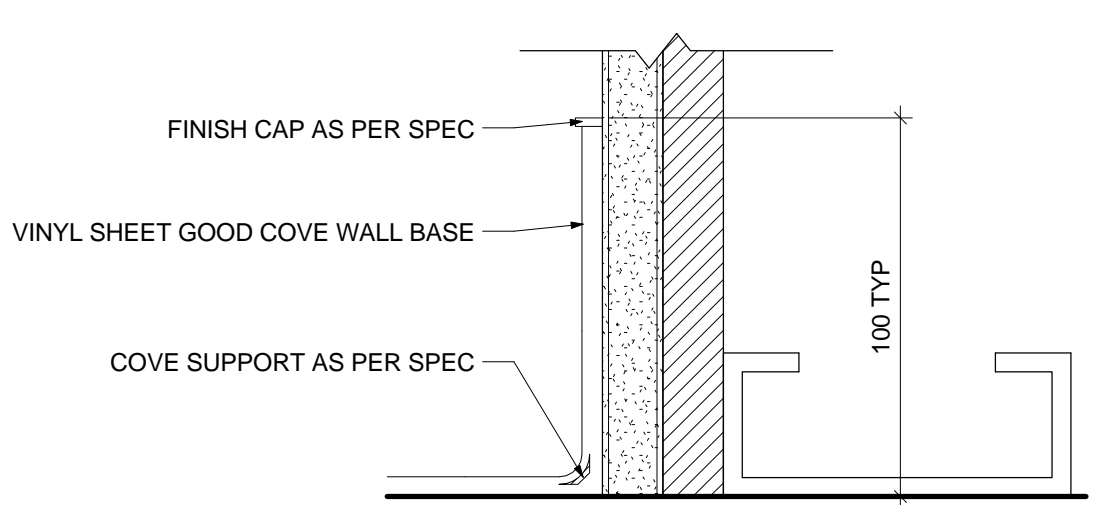
8 UTR BENCH SUPPORT



9 ISLAND COUNTER BLOCKING SUPPORT



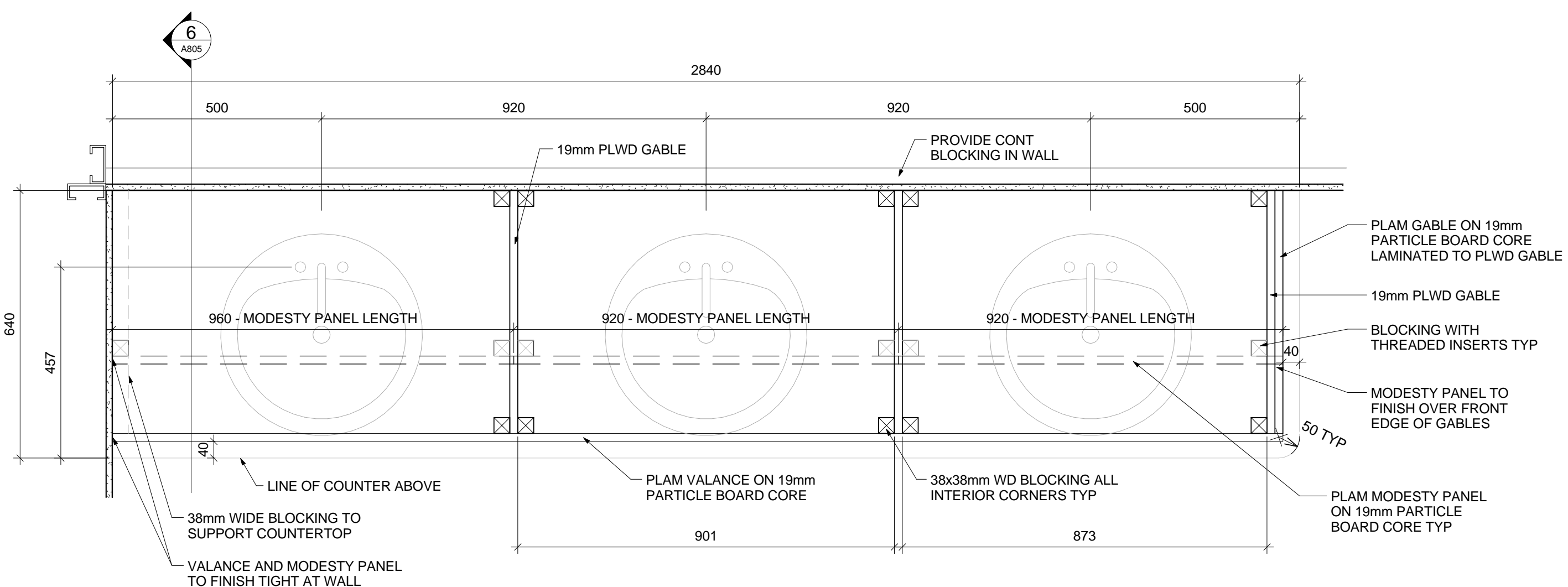
10 OFFICE SERVICE COUNTER BLOCKING SUPPORT



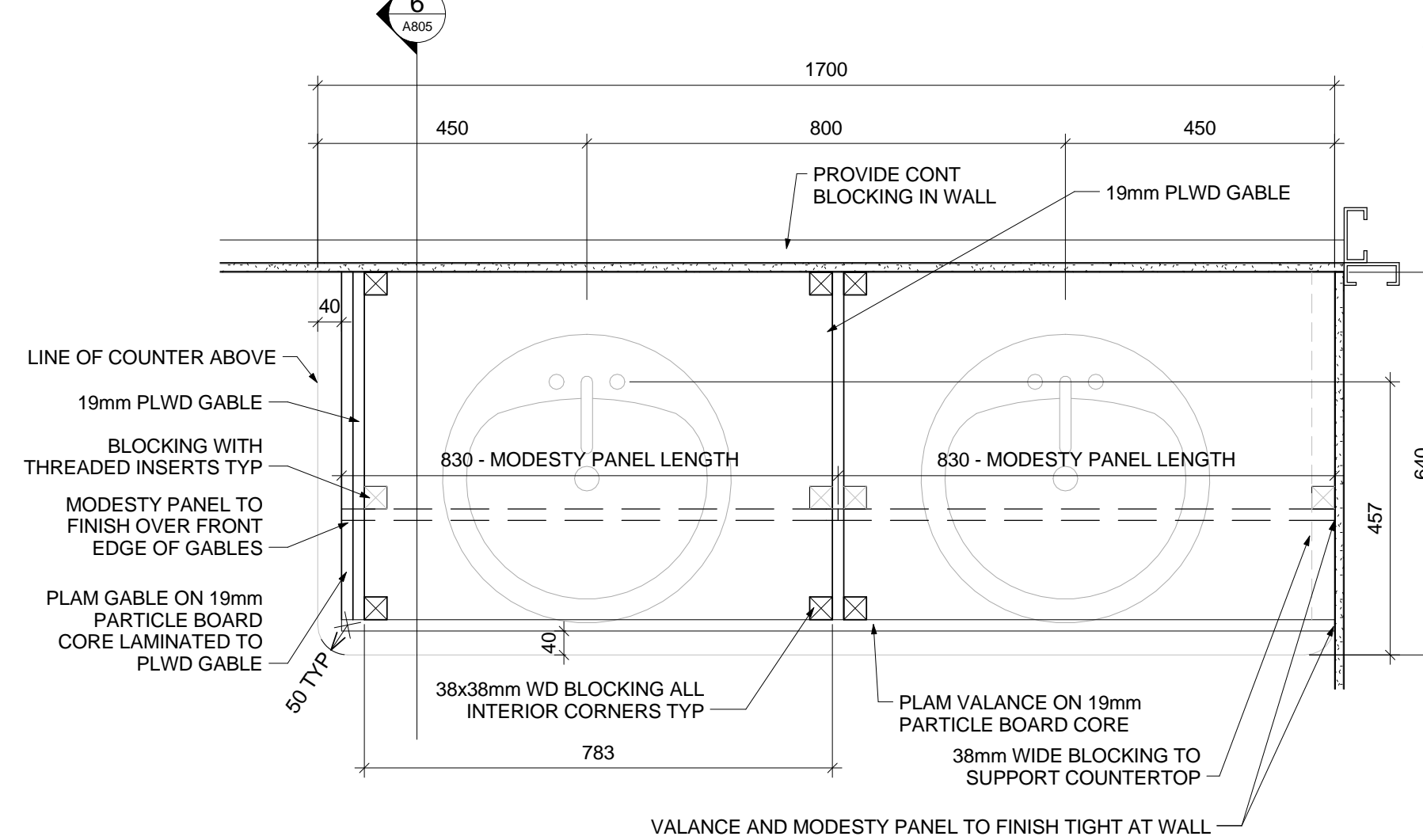
COVE WALL BASE APPLIED TO FINISH MATERIAL IN RM 105, RM 113 AND RM 114

3 COVE WALL BASES
1:2

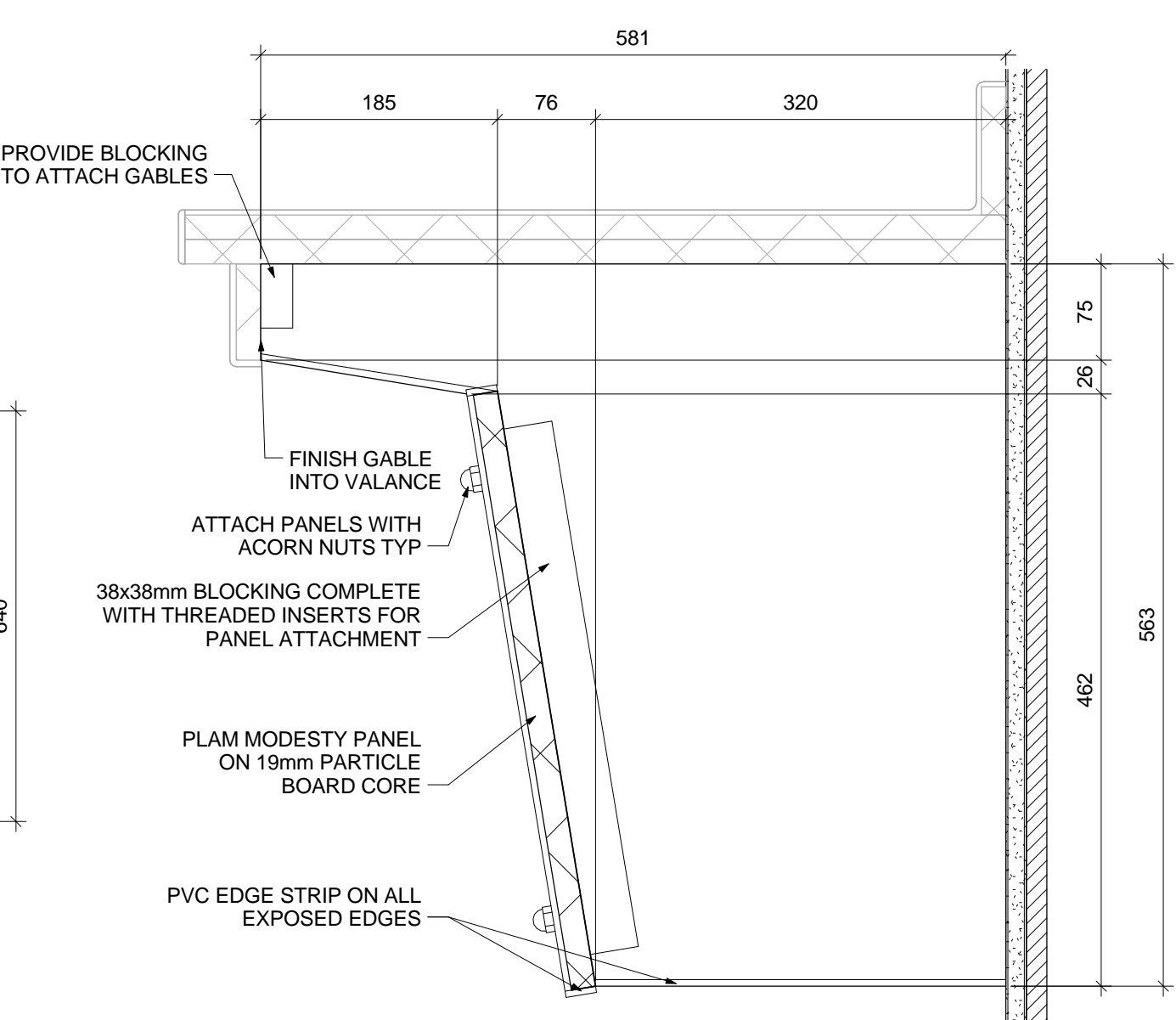
1 STEEL FLAT BAR AND WOOD BLOCKING SUPPORT BRACKETS SCHEDULE
1:10



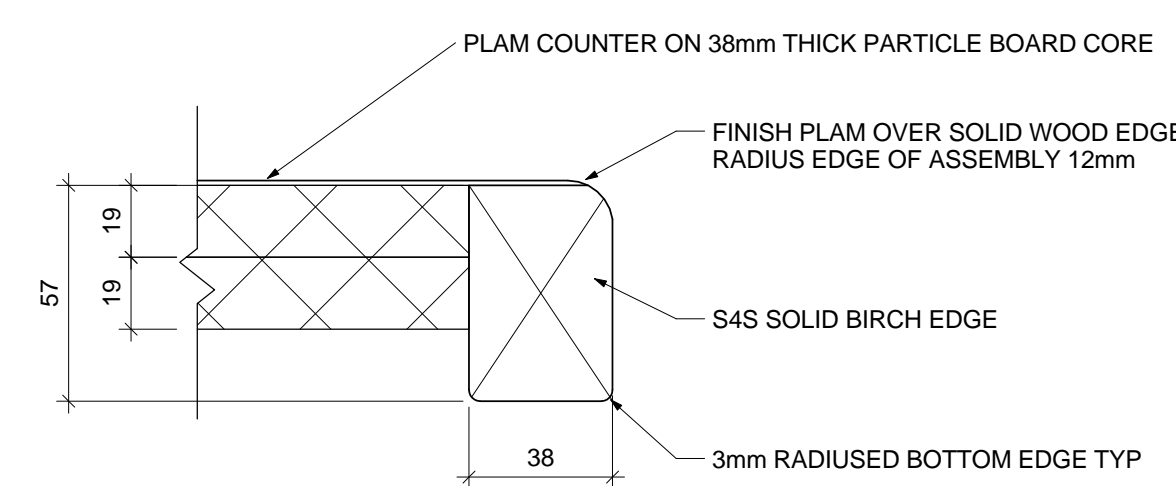
4 RM 113 COUNTER SUPPORT AND MODESTY PANEL PLAN
1:10



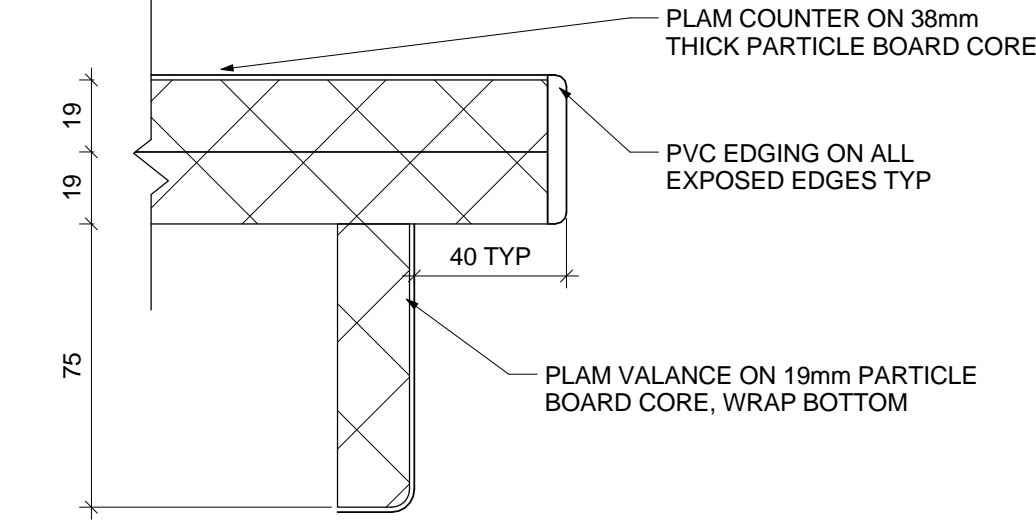
5 RM 114 COUNTER SUPPORT AND MODESTY PANEL PLAN
1:10



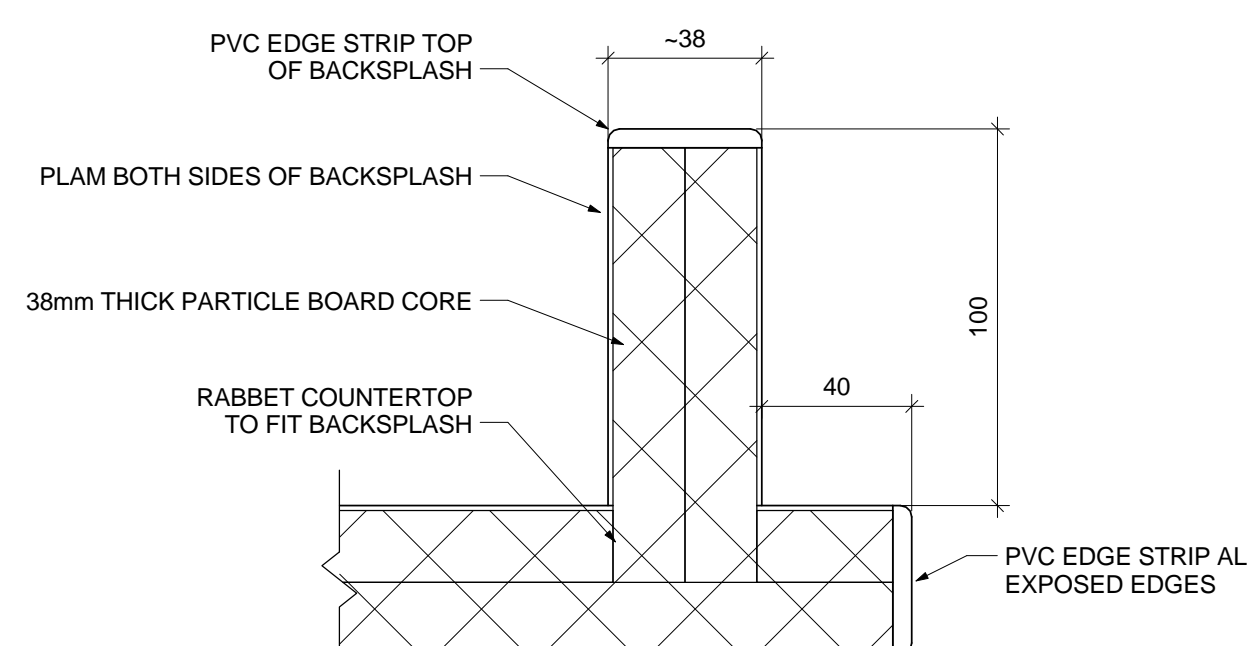
6 MODESTY PANEL SECTION
1:5



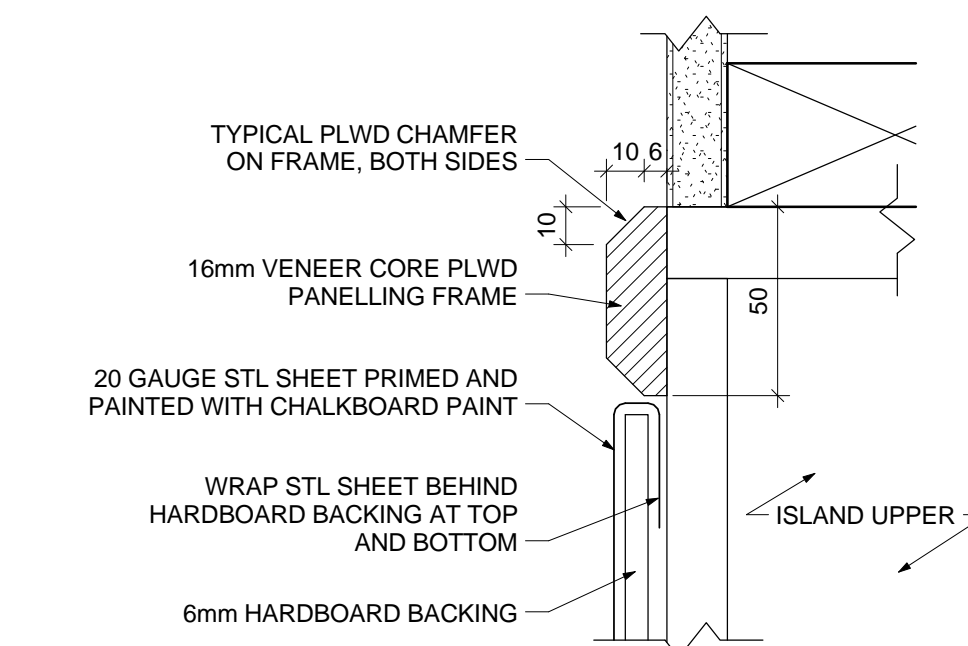
7 WOOD COUNTER EDGE
1:2



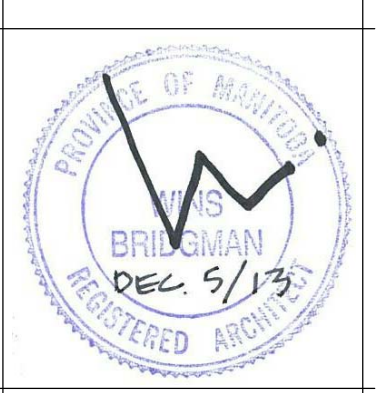
8 PVC COUNTER EDGE
1:2



9 RABBETED BACKSPLASH
1:2



10 MAGNET BOARD AT ISLAND UPPERS
1:2



Winnipeg
 THE CITY OF WINNIPEG PLANNING, PROPERTY AND DEVELOPMENT DEPARTMENT
 MUNICIPAL ACCOMMODATIONS DIVISION
 4TH FLOOR - 185 KING STREET
 WINNIPEG, MB R3B 1J1

Project:
 EAST ELMWOOD COMMUNITY CENTRE
 490 KEENLEYSIDE, WINNIPEG, MB

Project Number: 2019-041
 Bid Opportunity Number: 788-2013

Drawing Title:
 MILLWORK DETAILS

Issue/Revision Date
 1 ISSUED FOR TENDER 2019-12-09

Design By:
 Date:
 Design Check:
 Date:
 Drawn By:
 Date:
 DWG Check:
 Date:

Sheet No: A805

This drawing is property of the Consultant and cannot be reproduced or used without the consent of the Consultant. The contractor is responsible for checking and verifying all levels and dimensions and shall report all discrepancies to the Consultant and obtain clarification prior to commencing work.