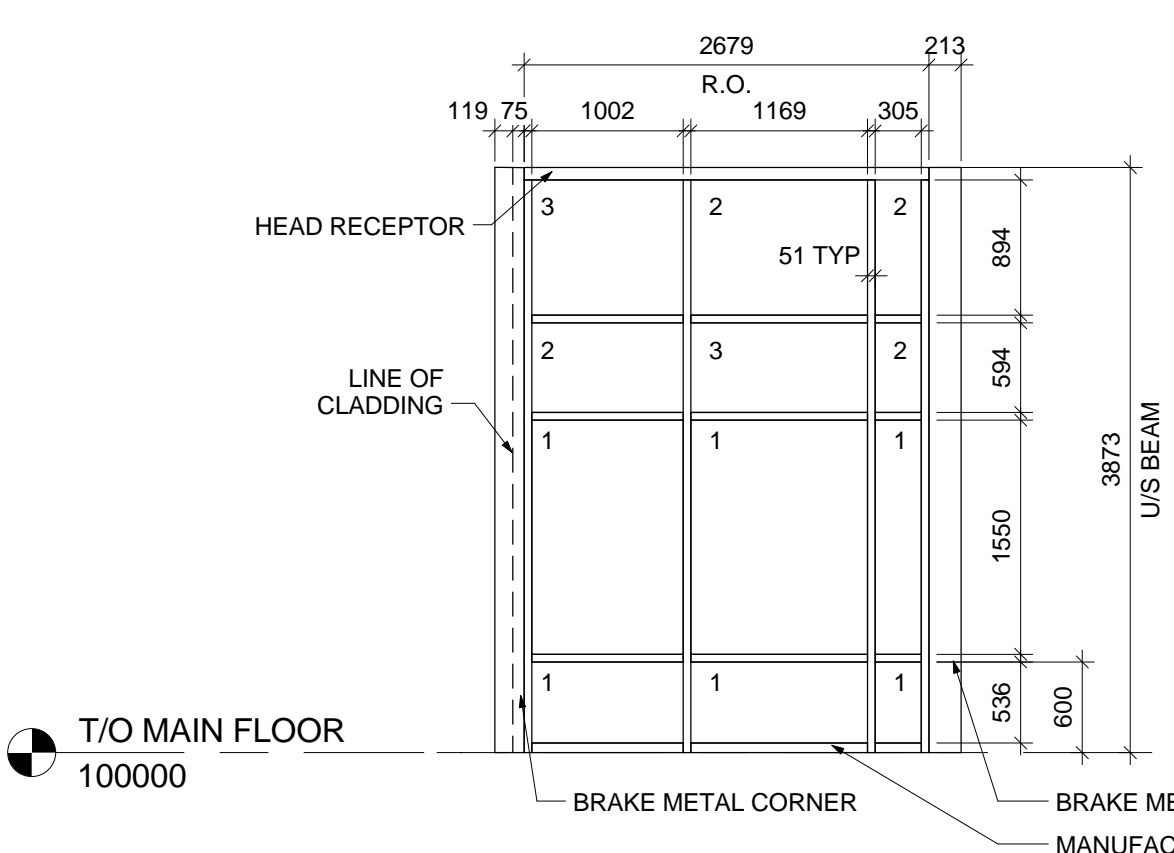


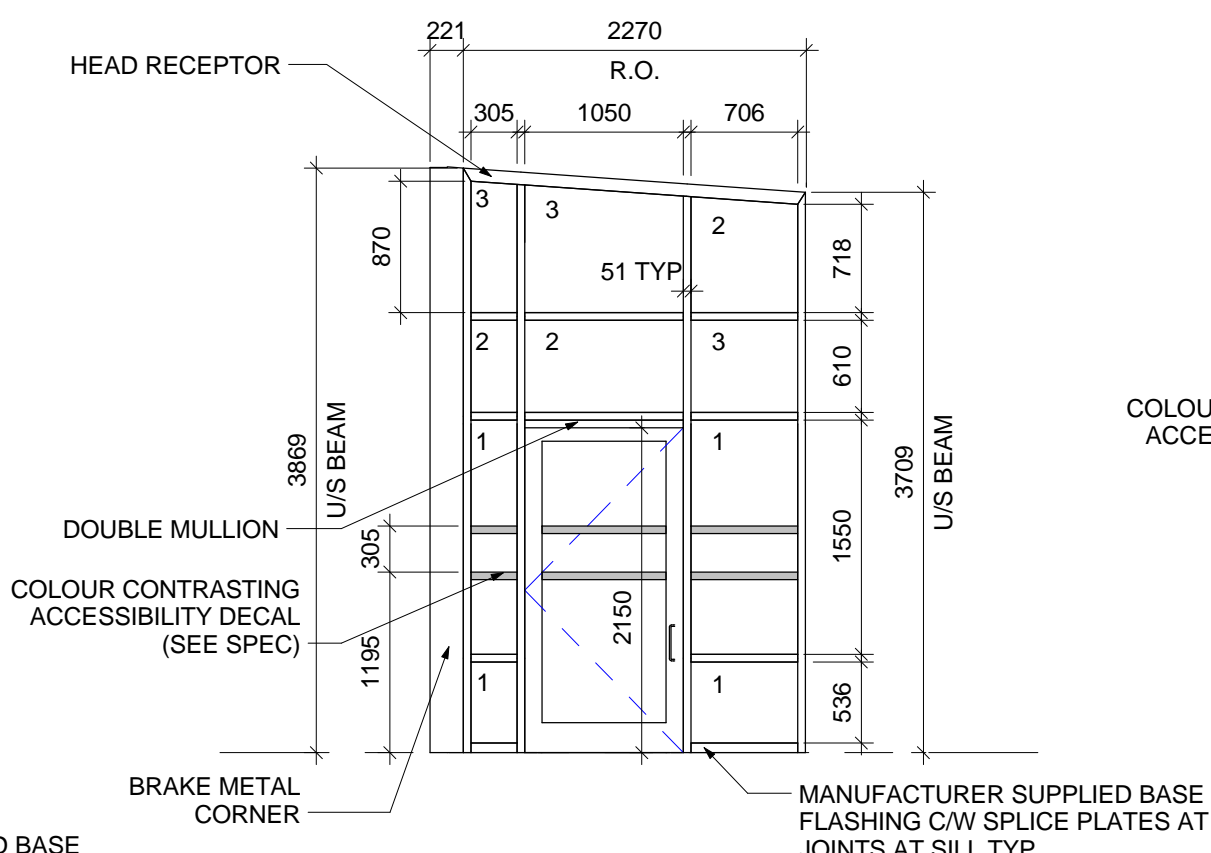
1 GLAZING ELEVATION - WEST
1: 50

WINDOW TYPE LEGEND

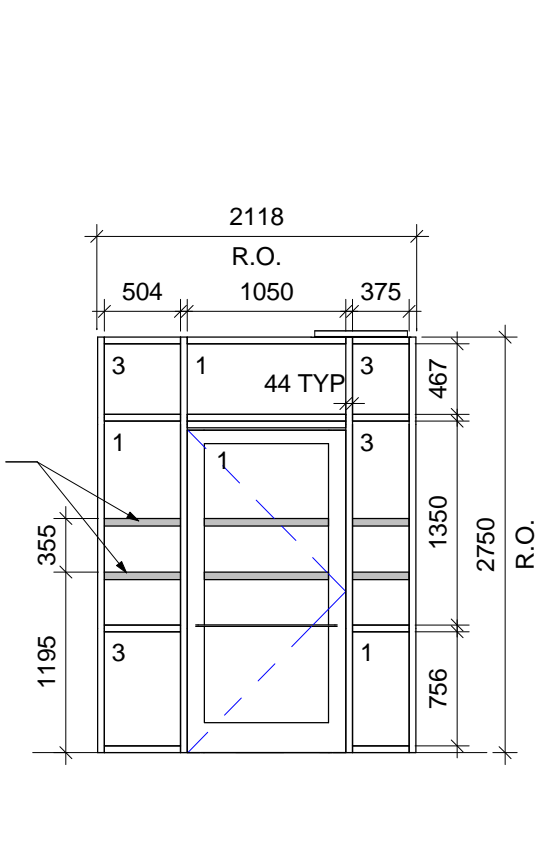
1	CLEAR
2	GREEN
3	SANDBLASTED



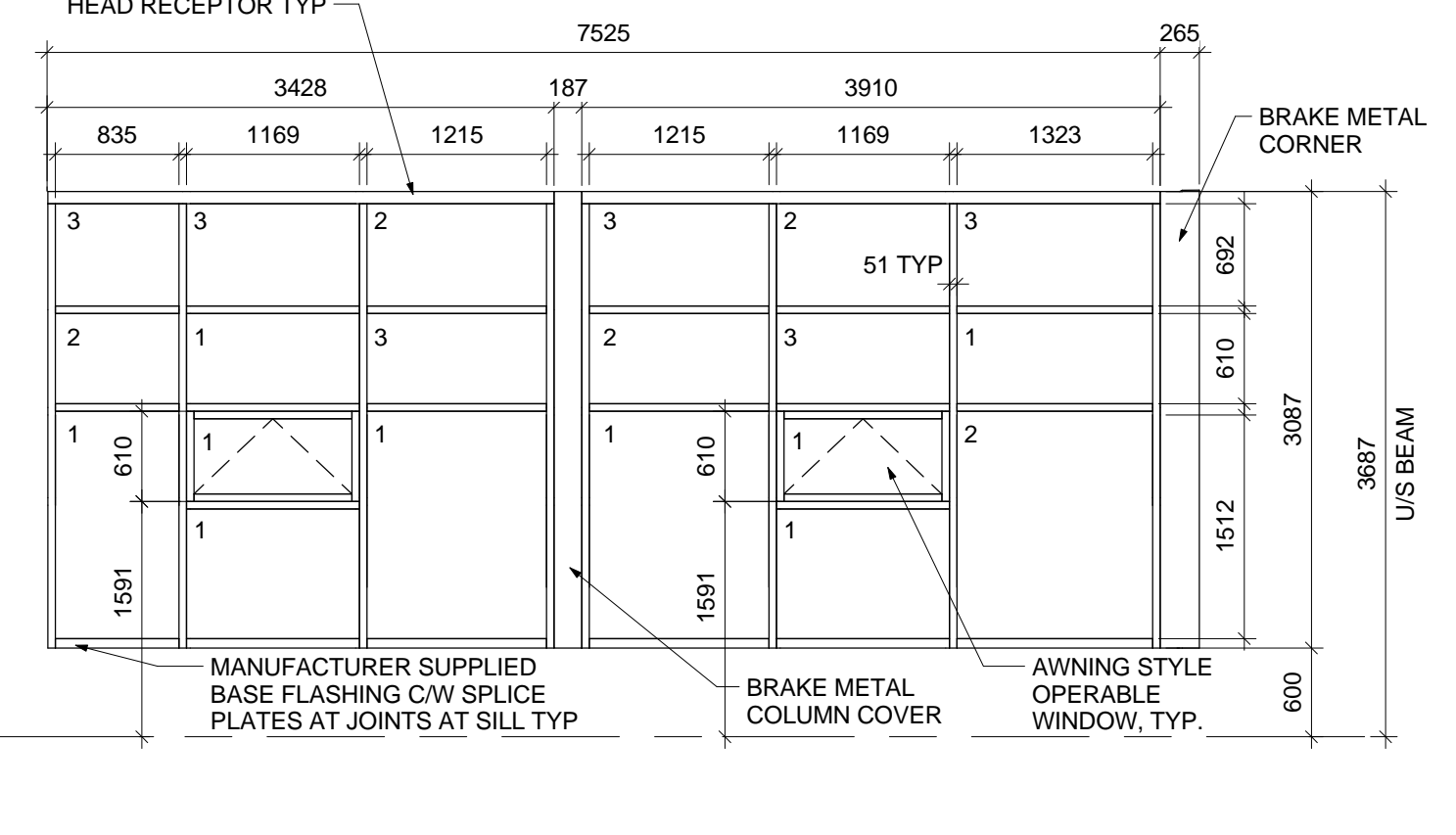
2 GLAZING ELEVATION - 107 NORTH
1: 50



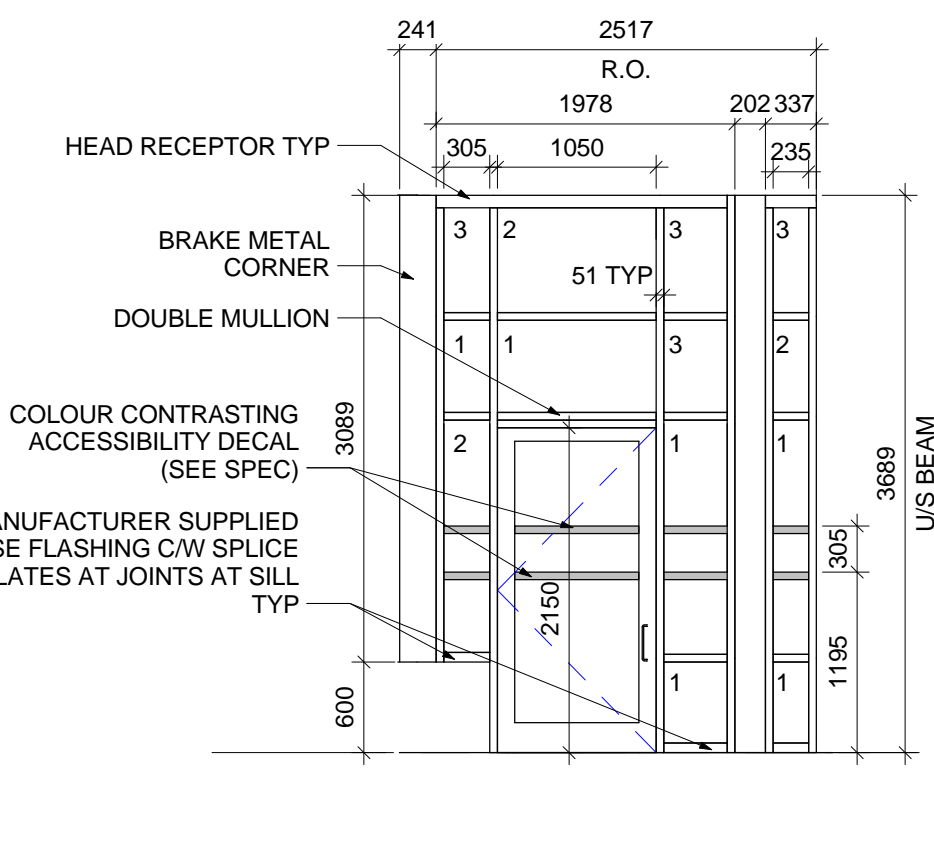
3 GLAZING ELEVATION - 107 WEST
1: 50



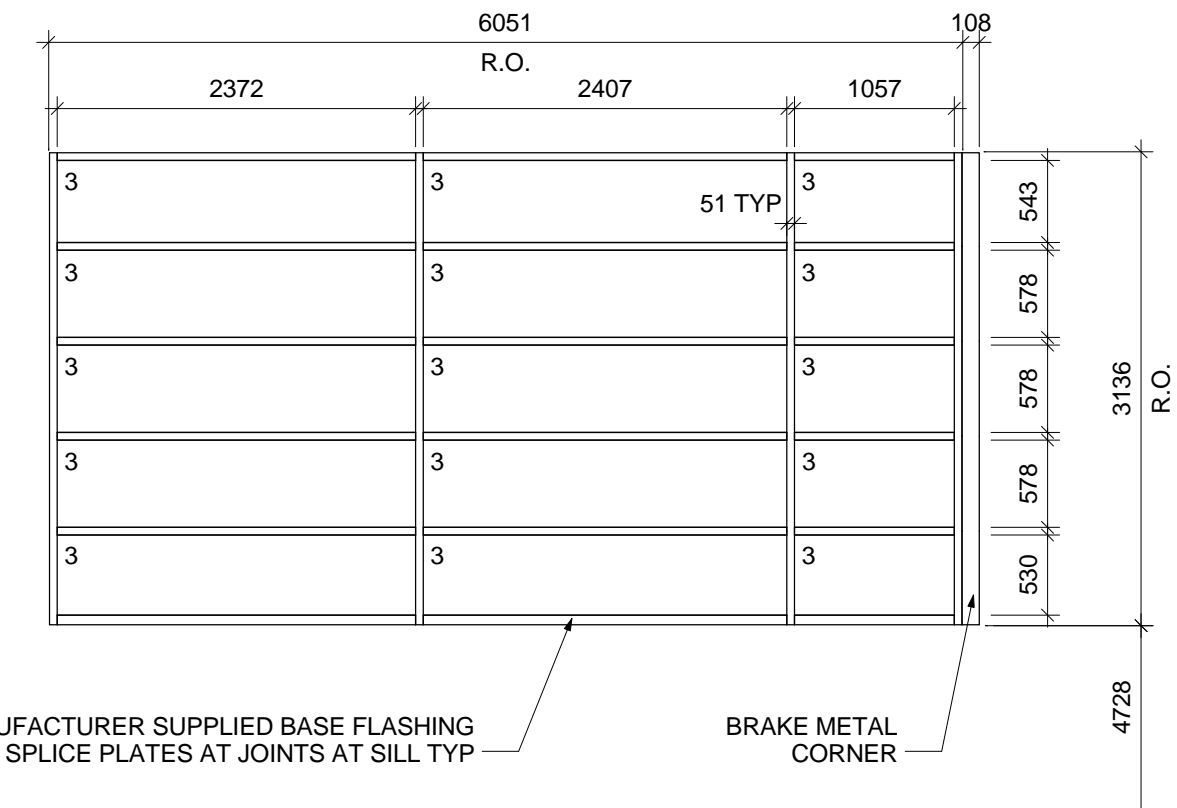
4 GLAZING ELEVATION - 107 NORTH INT.
1: 50



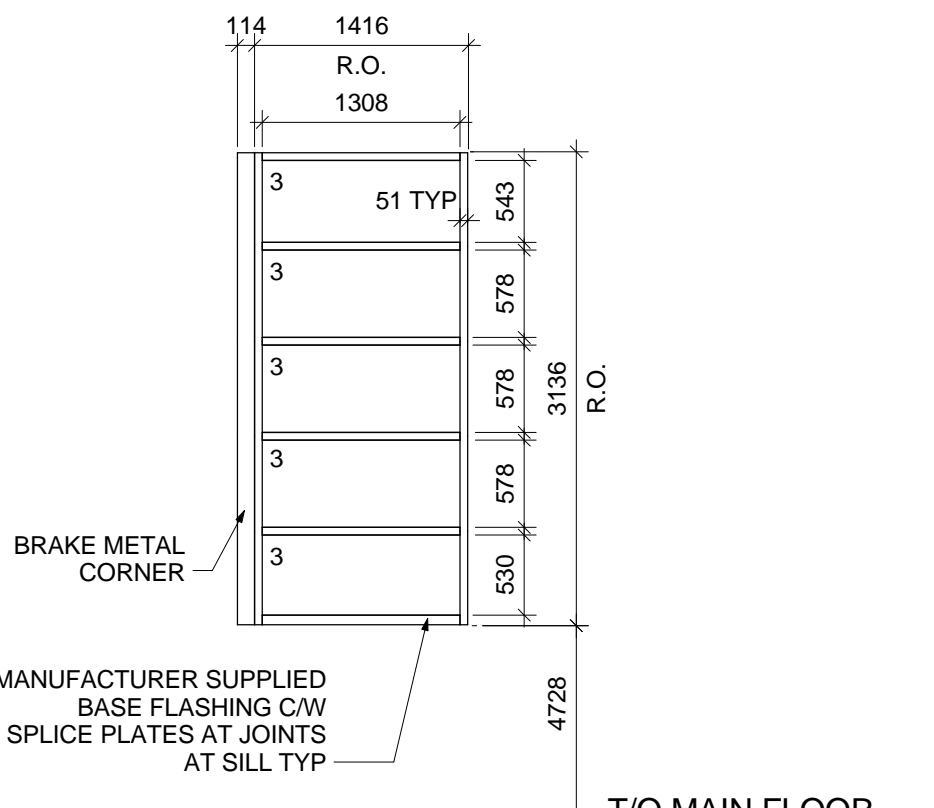
5 GLAZING ELEVATION - NORTH
1: 50



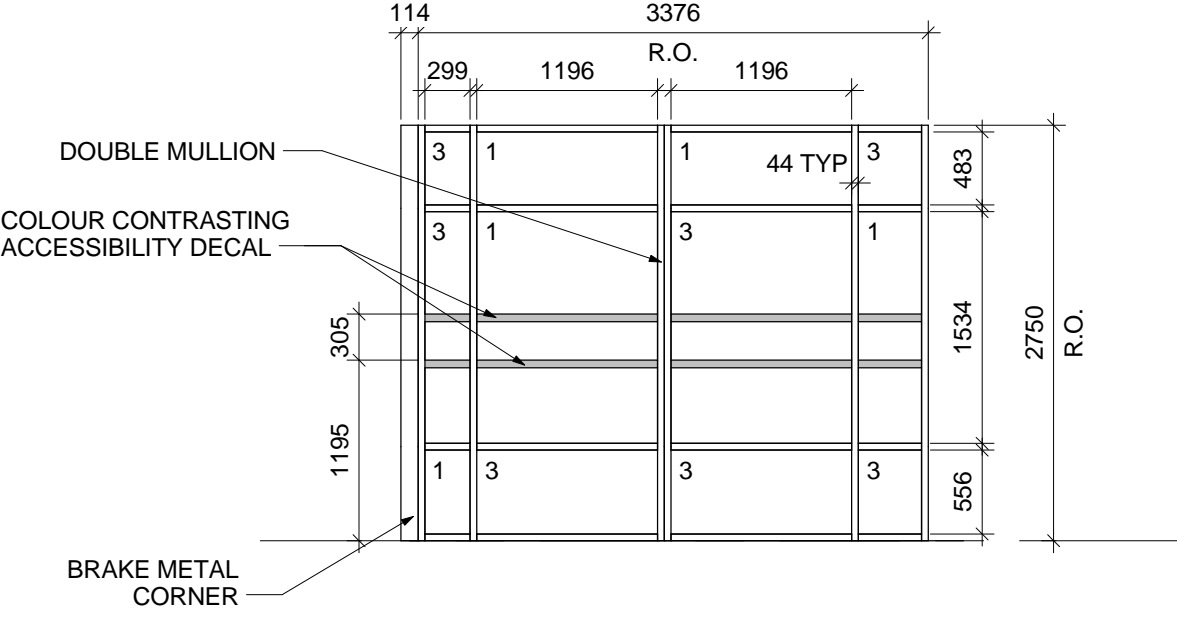
6 GLAZING ELEVATION - 100 SOUTH
1: 50



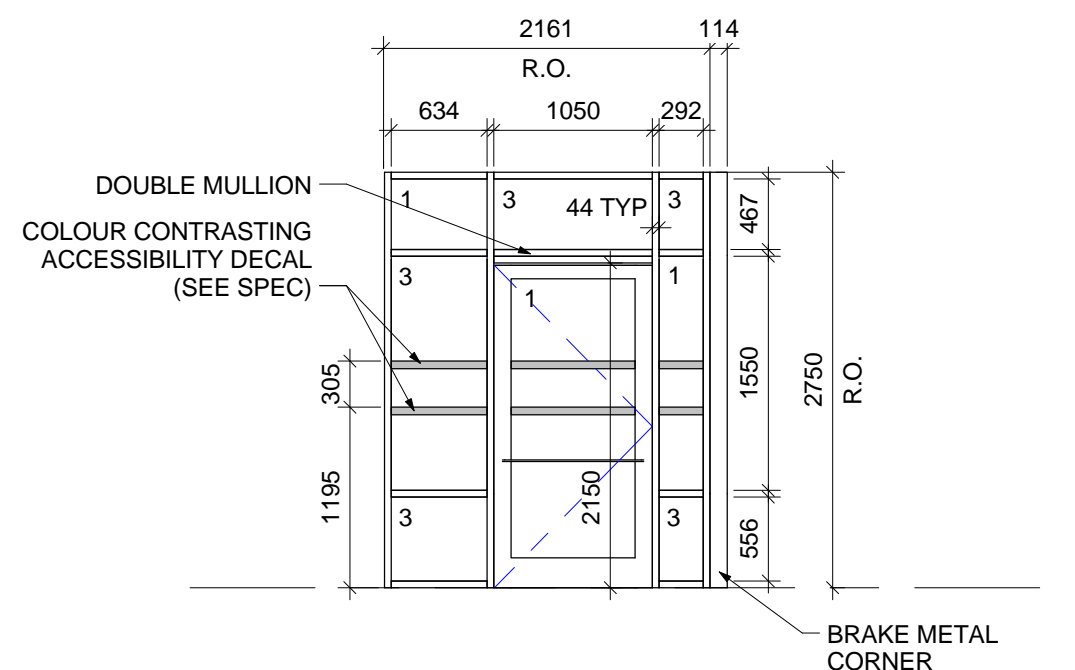
7 GLAZING ELEVATION - 111 SOUTH
1: 50



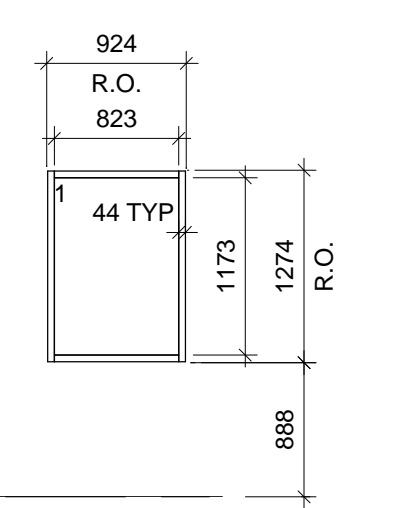
8 GLAZING ELEVATION - EAST
1: 50



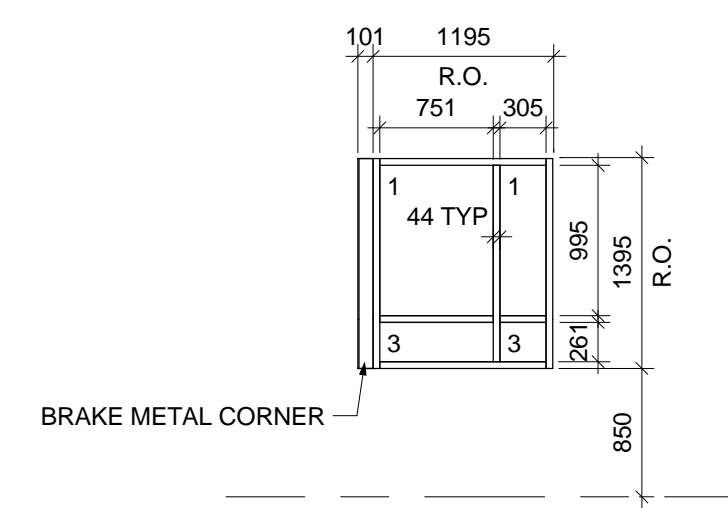
9 GLAZING ELEVATION - 100 NORTH
1: 50



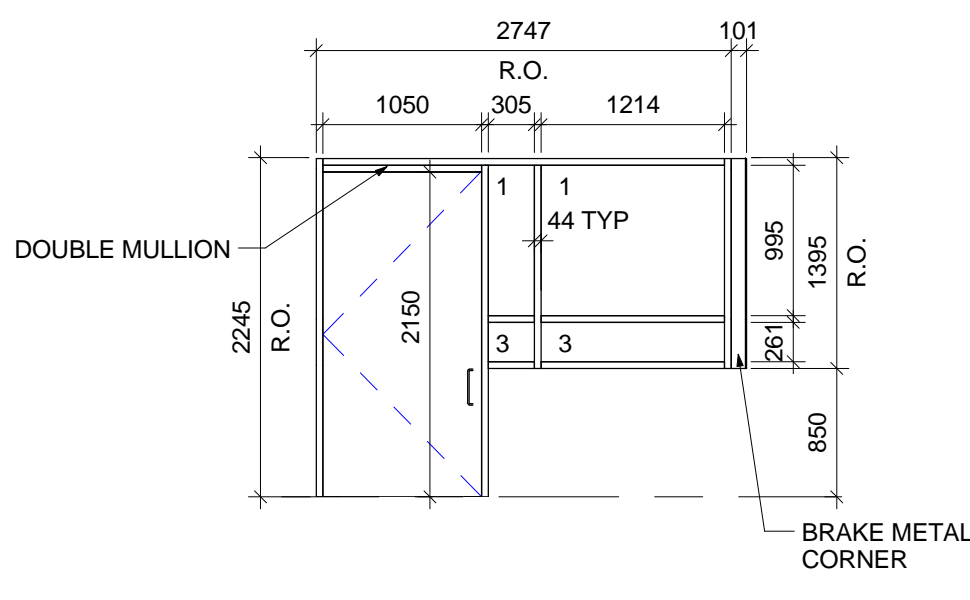
10 GLAZING ELEVATION - 100 EAST
1: 50



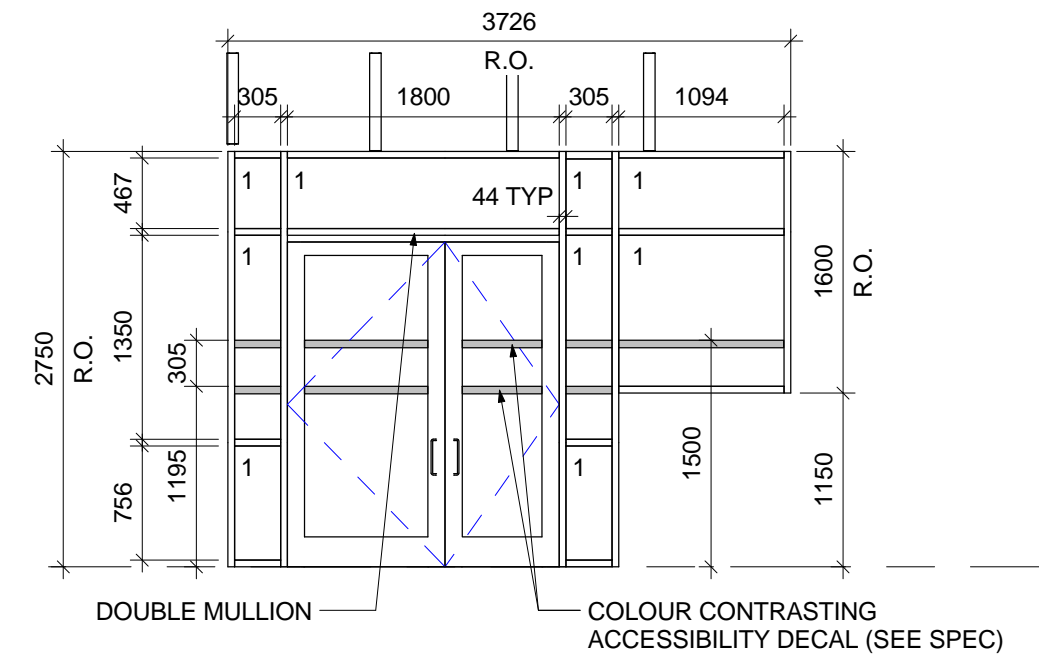
11 GLAZING ELEVATION - 111 WEST
1: 50



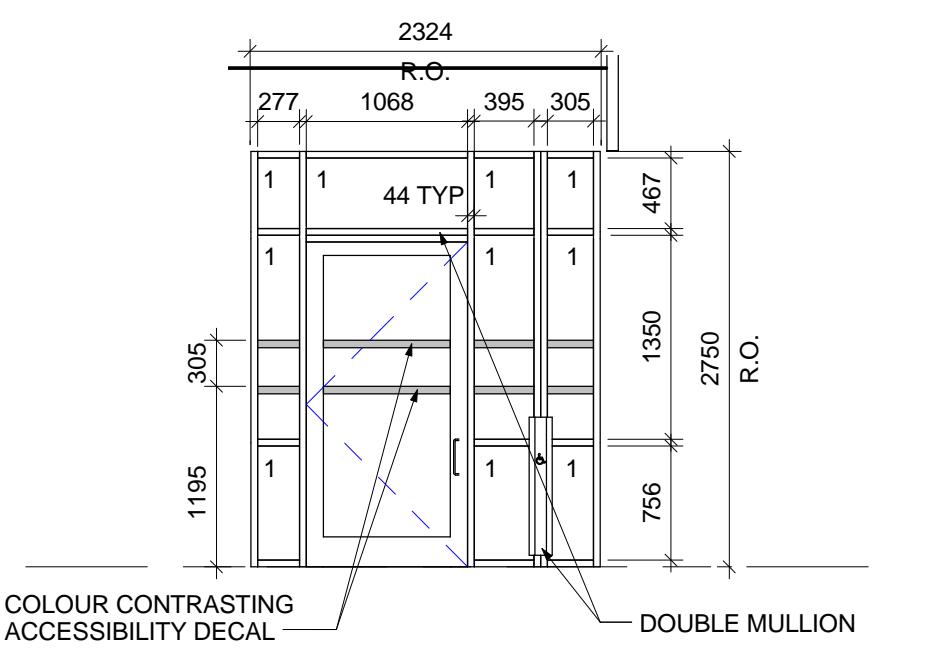
12 GLAZING ELEVATION - 101 NORTH
1: 50



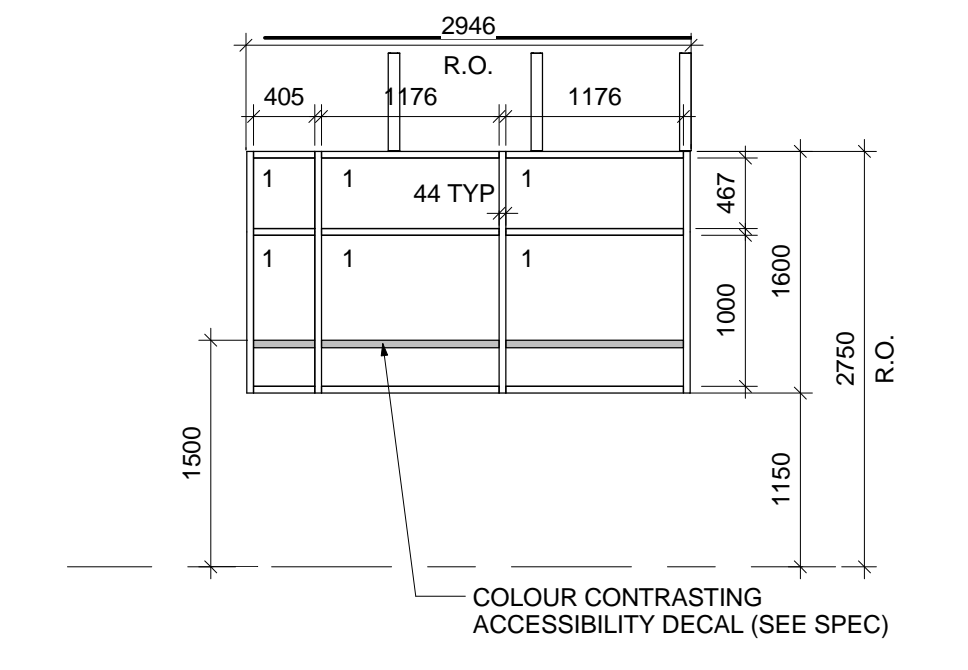
13 GLAZING ELEVATION - COR01 EAST
1: 50



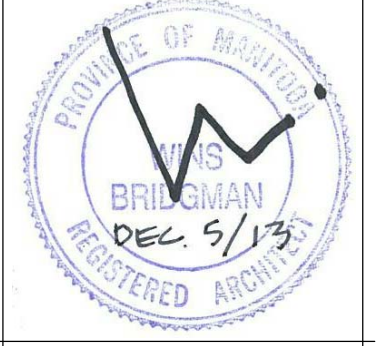
14 GLAZING ELEVATION - 106 SOUTH
1: 50



15 GLAZING ELEVATION - 101 EAST
1: 50



16 GLAZING ELEVATION - COR02 NORTH
1: 50



Winnipeg
THE CITY OF WINNIPEG PLANNING, PROPERTY AND DEVELOPMENT DEPARTMENT
MUNICIPAL ACCOMMODATIONS DIVISION
4TH FLOOR - 185 KING STREET
R3B 1J1

Project:
EAST ELMWOOD COMMUNITY CENTRE
490 KEENLEYSIDE, WINNIPEG, MB

Project Number: 2013-041
Est Opportunity Number: 748-2013

Drawing Title:
WINDOW SCHEDULE

#	Issue/Revision	Date
1	ISSUED FOR TENDER	2013-12-09

Design By: _____
Date: _____

Design Check: _____
Date: _____

Drawn By: _____
Date: _____

DWG Check: _____
Date: _____

Sheet No.: **A903**

This drawing is property of the Consultant and cannot be reproduced or used without the consent of the Consultant. The contractor is responsible for checking and verifying all levels and dimensions and shall report all discrepancies to the Consultant and obtain verification prior to commencing work.