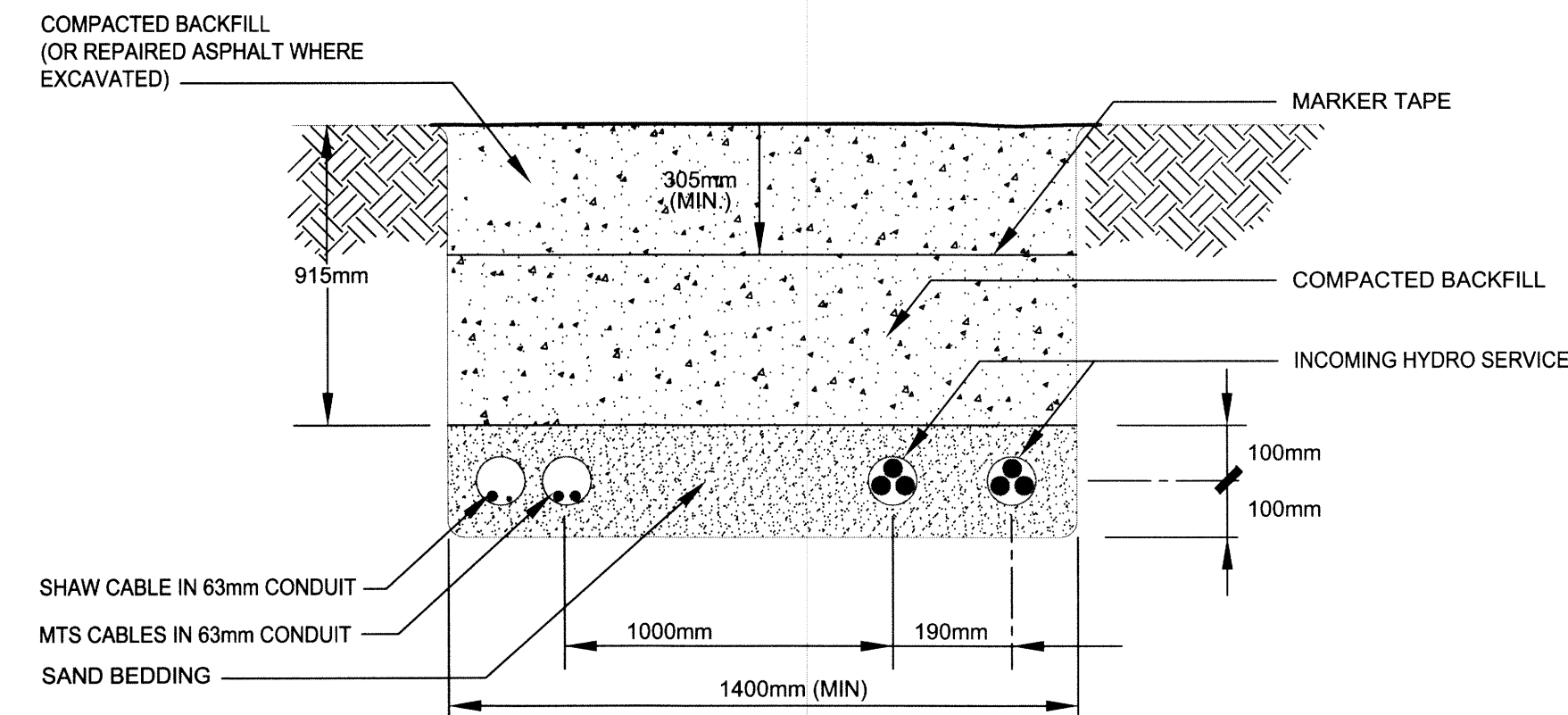
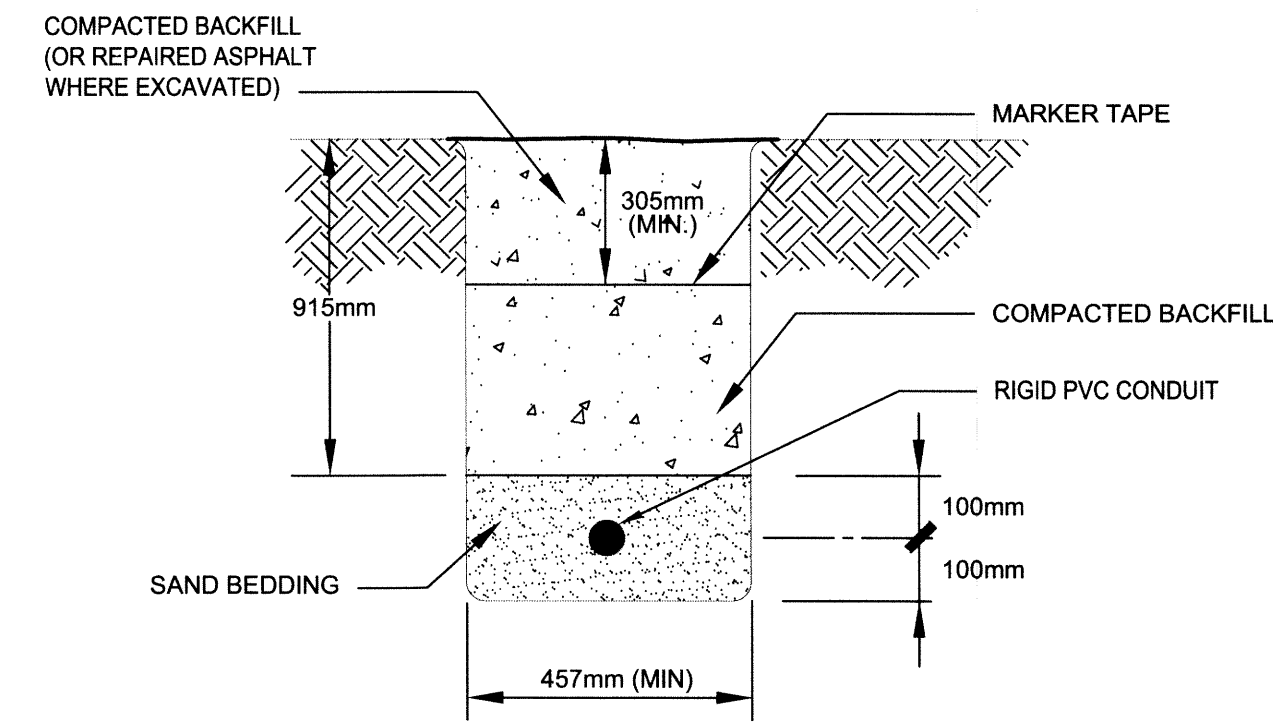


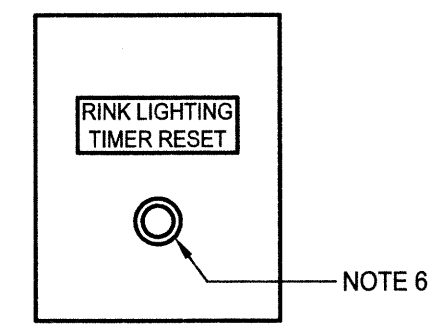
A CABLE TRENCH DETAIL
N.T.S.



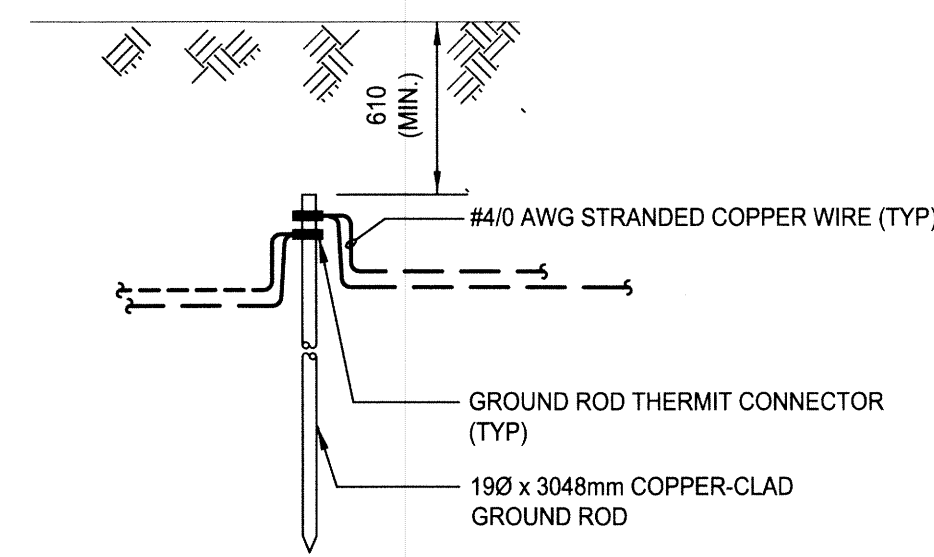
B UTILITY TRENCH DETAIL
N.T.S.



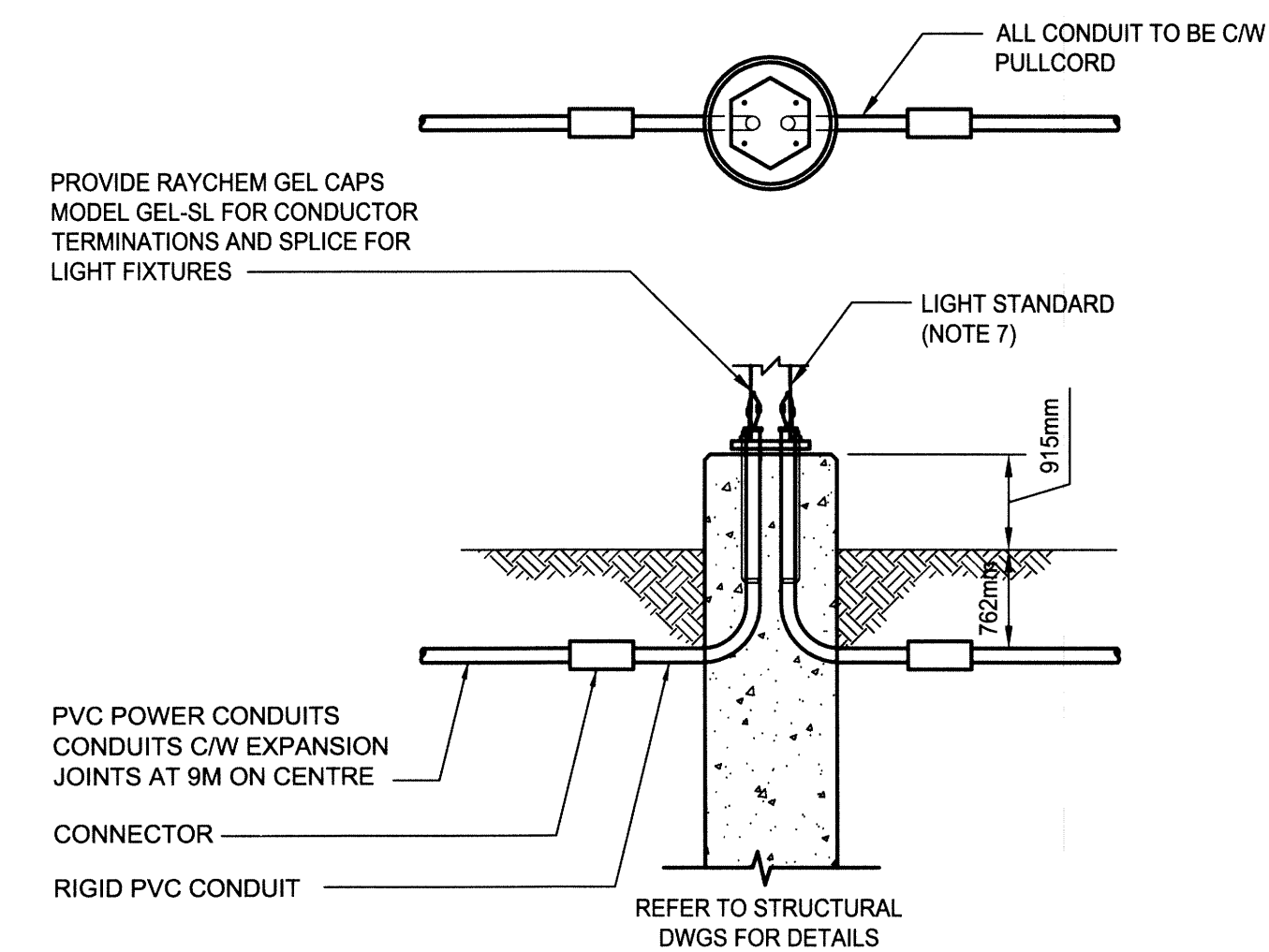
C EXTERIOR POWER FEEDER TRENCH DETAIL
N.T.S.



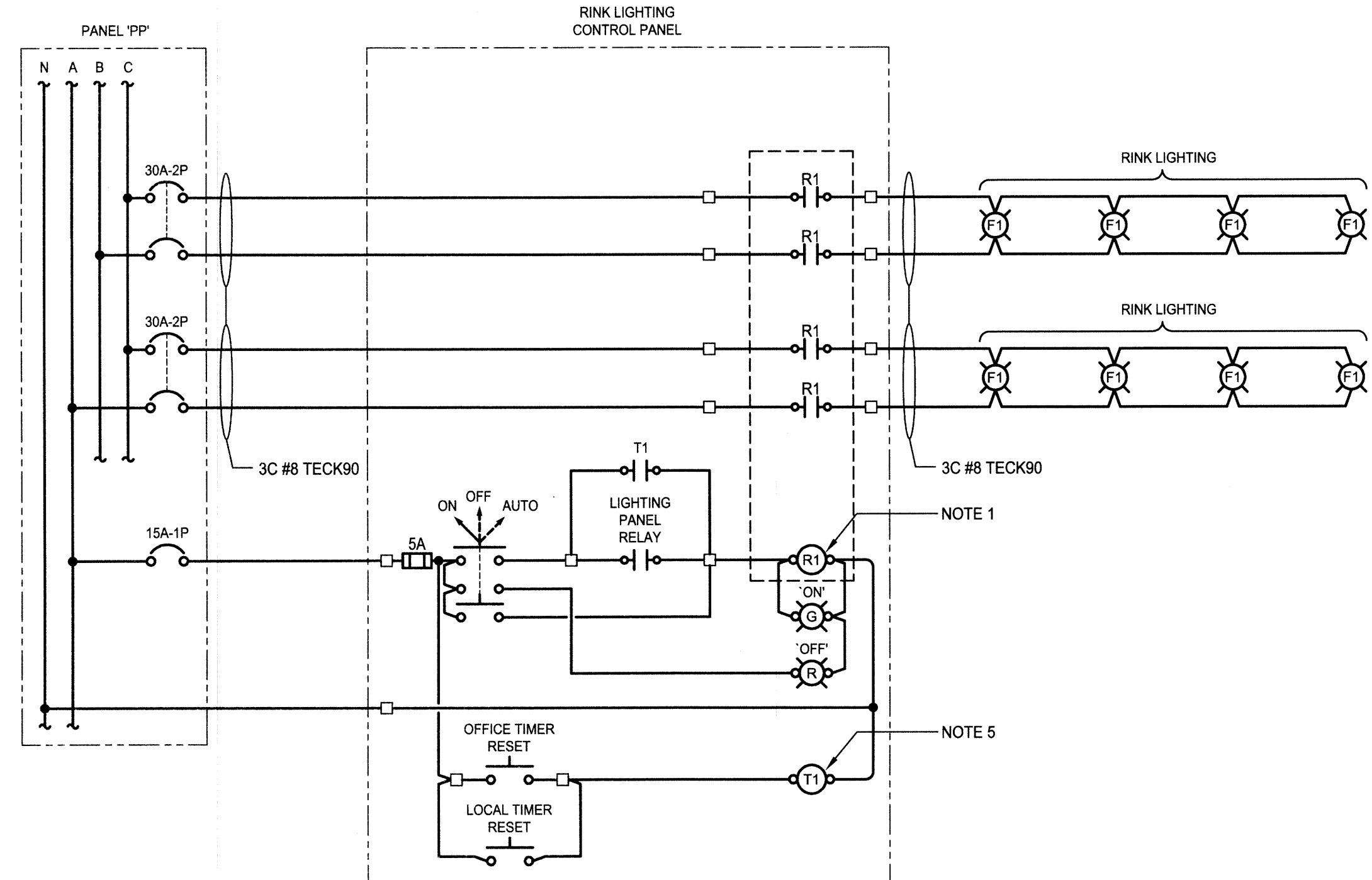
D RINK LIGHTING CONTROL PANEL 2 LAYOUT
N.T.S.



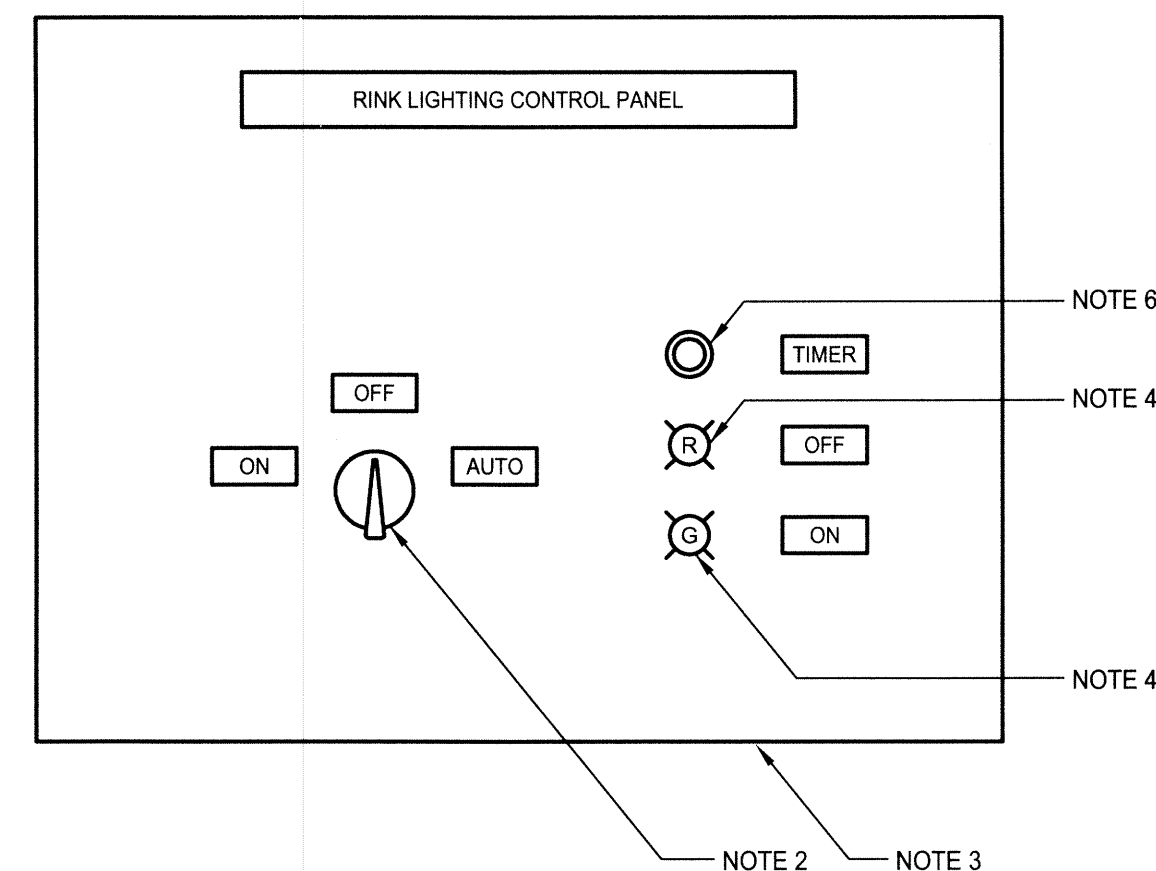
E GROUND ROD DETAIL
N.T.S.



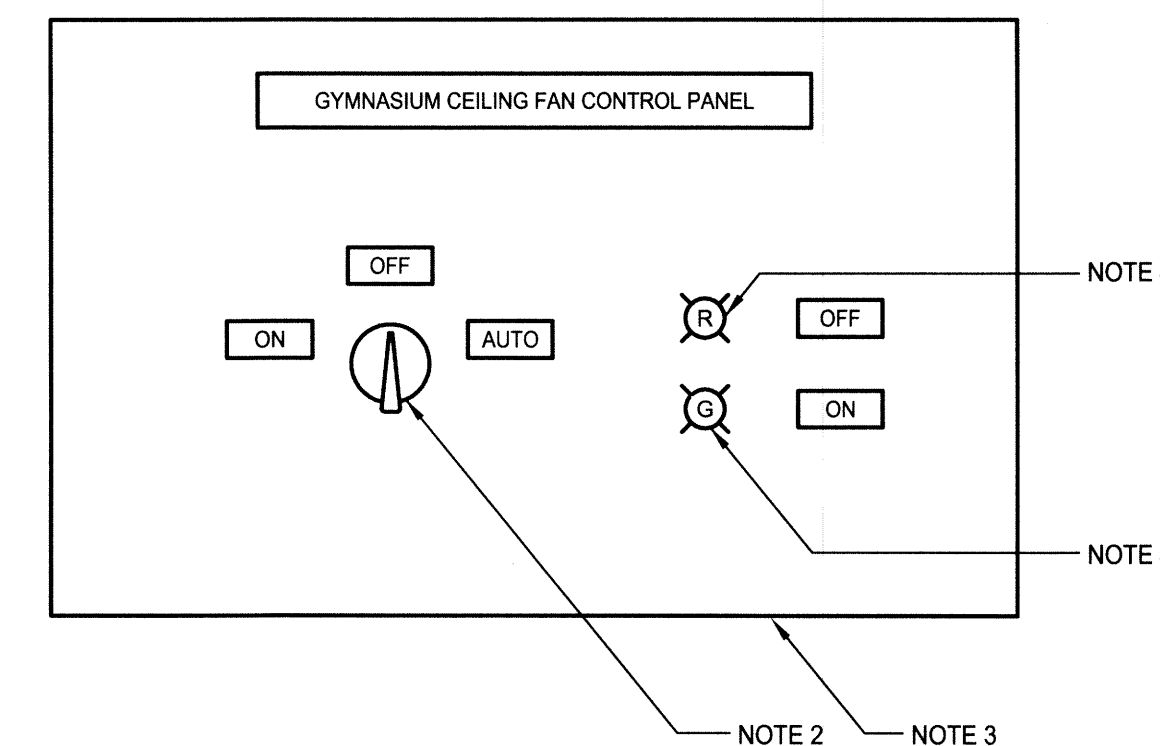
F HOCKEY RINK LIGHT POLE CONNECTION DETAIL
N.T.S.



G RINK LIGHTING CONTROL WIRING DIAGRAM
N.T.S.



H RINK LIGHTING CONTROL PANEL 1 LAYOUT
N.T.S.



J GYMNASIUM CEILING FAN CONTROL PANEL LAYOUT
N.T.S.

NOTES:

- PROVIDE ONE (1) 30A RATED 2 COIL, 4 POLE RELAY.
APPROVED MANUFACTURERS:
- ALLEN BRADLEY, SQUARE D, SIEMENS OR EQUIVALENT IN ACCORDANCE WITH B7.
- PROVIDE ONE (1) PANEL MOUNT 3 POSITION 120V SELECTOR SWITCH.
APPROVED MANUFACTURERS:
- ALLEN BRADLEY, SQUARE D, SIEMENS OR EQUIVALENT IN ACCORDANCE WITH B7.
- SIZE ENCLOSURE TO SUIT ENCLOSED EQUIPMENT.
- PANEL MOUNT LED.
APPROVED MANUFACTURERS:
- ALLEN BRADLEY, SQUARE D, SIEMENS OR EQUIVALENT IN ACCORDANCE WITH B7.
- PROVIDE A 15A, 120V, 0-6HR ADJUSTABLE TIMER RELAY TO RESET ON MOMENTARY INPUT.
APPROVED MANUFACTURERS:
- ALLEN BRADLEY, SQUARE D, SIEMENS OR EQUIVALENT IN ACCORDANCE WITH B7.
- PROVIDE A GREEN MOMENTARY PANEL MOUNT PUSH BUTTON.
APPROVED MANUFACTURERS:
- ALLEN BRADLEY, SQUARE D, SIEMENS OR EQUIVALENT IN ACCORDANCE WITH B7.
- MOUNT POLES ON CONCRETE BASES, CENTERED, PLUMBED AND TRUE. UTILIZE SHIMS AS REQUIRED.