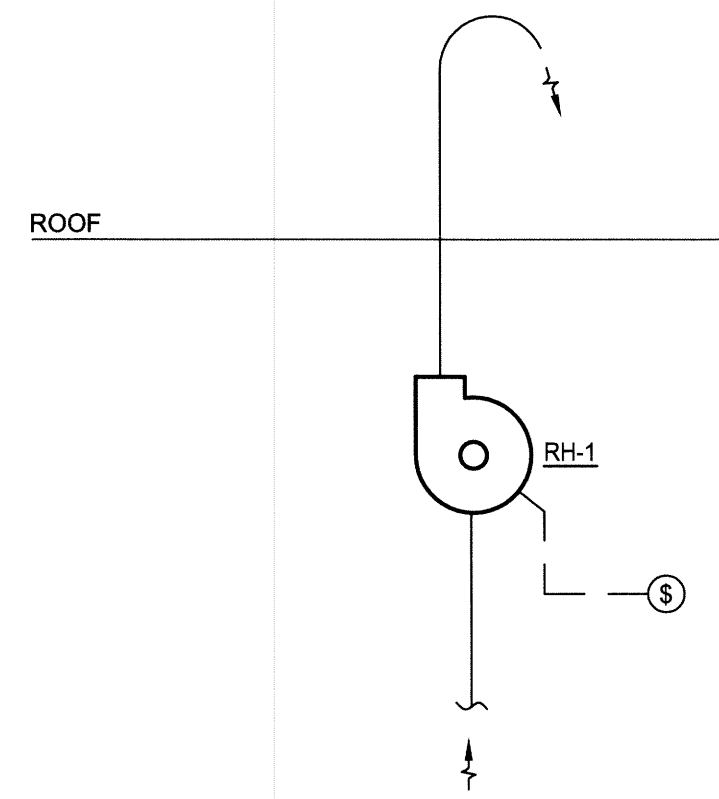
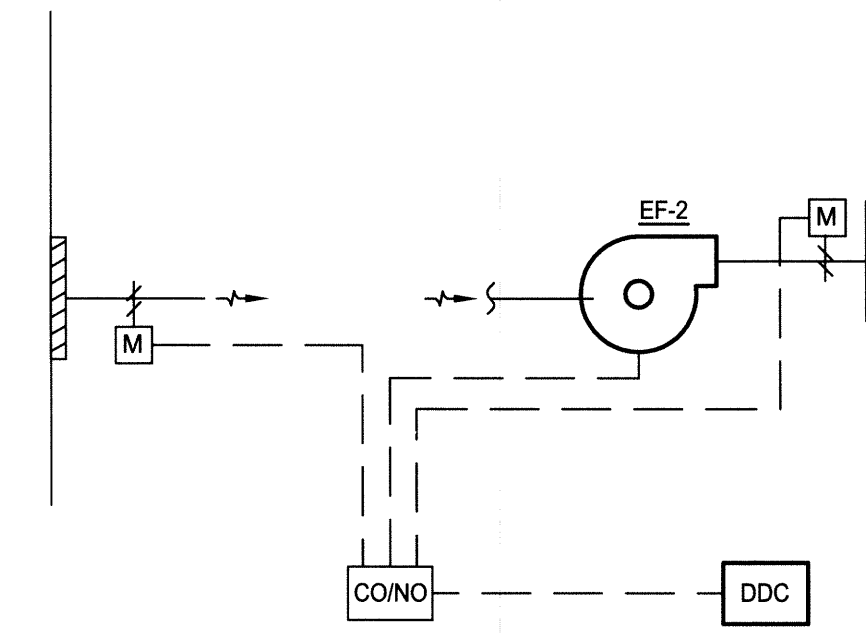


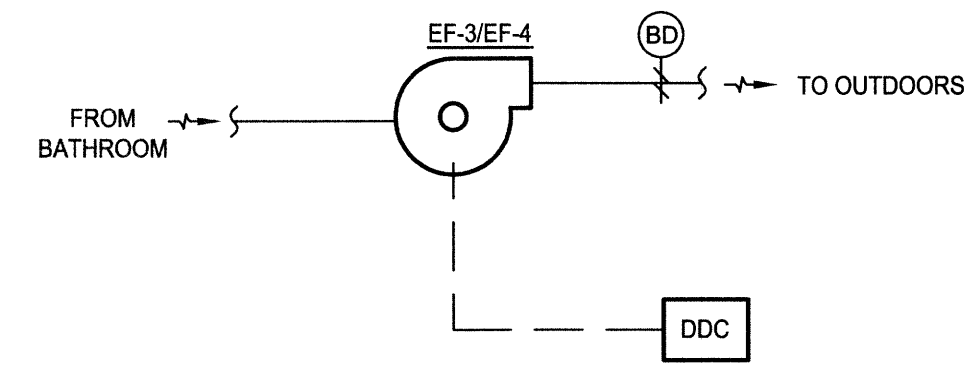
1 VAV CONTROL SCHEMATIC (TYPICAL FOR ALL)
SCALE: N.T.S.



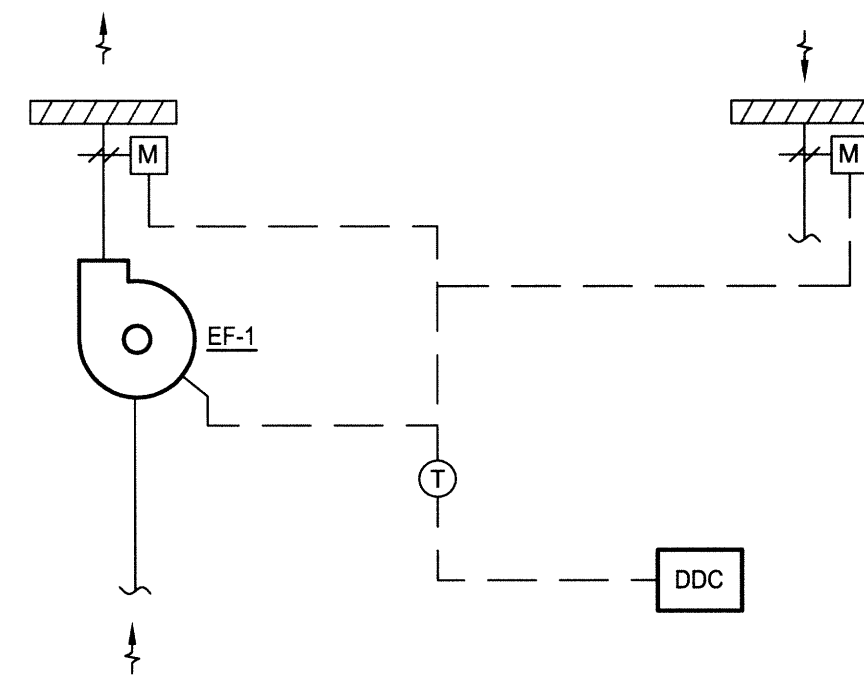
2 KITCHEN RANGE HOOD (RH-1) CONTROL SCHEMATIC
SCALE: N.T.S.



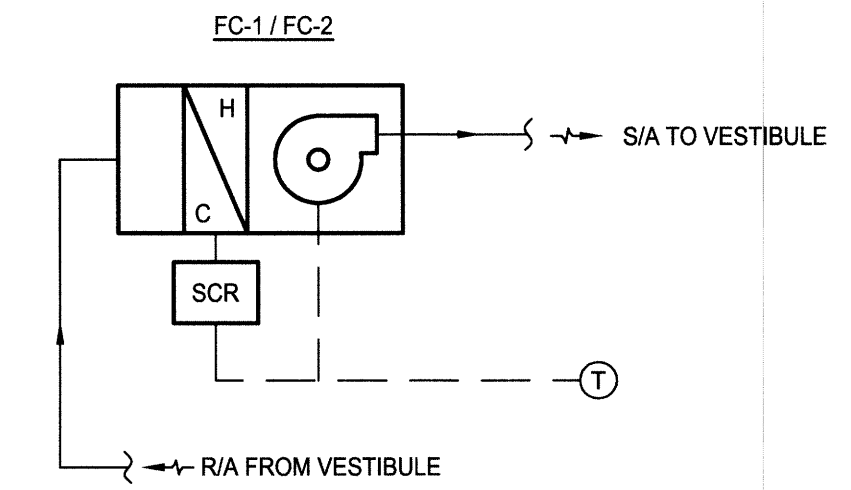
3 SERVICE/ZAMBONI VENTILATION CONTROL SCHEMATIC
SCALE: N.T.S.



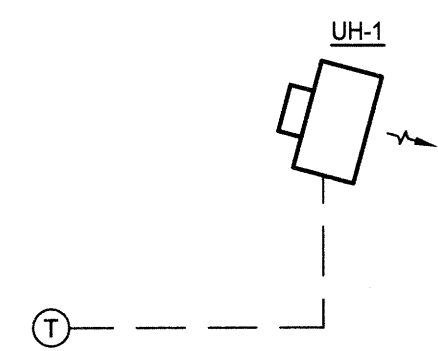
4 STORAGE ROOM/BATHROOM EXHAUST FANS CONTROL SCHEMATIC
SCALE: N.T.S.



5 ELECTRICAL ROOM COOLING/EXHAUST CONTROL SCHEMATIC
SCALE: N.T.S.



6 VESTIBULE FAN COIL (FC-1, FC-2) CONTROL SCHEMATIC
SCALE: N.T.S.



7 UNIT HEATER (UH-1) CONTROL SCHEMATIC
SCALE: N.T.S.

LEGEND:

- DDC DIRECT DIGITAL CONTROL
- SCR SILICONE CONTROLLED RECTIFIER
- T THERMOSTAT
- S TWO POSITION ON/OFF SWITCH
- M MOTORIZED DAMPER
- BD BACKDRAFT DAMPER
- BH BASEBOARD HEATER
- RHC RE-HEAT COIL
- VAV VARIABLE AIR VOLUME BOX
- S/A SUPPLY AIR
- FLOW DIRECTION

bridgmancollaborative
 ARCHITECTURE
 673 MAIN STREET WINNIPEG, MB R3B 1E4
 204.488.3857 tel. 204.488.0216 fax.
 www.bridgmancollaborative.ca



Winnipeg
 THE CITY OF WINNIPEG PLANNING,
 PROPERTY AND DEVELOPMENT
 DEPARTMENT
 MUNICIPAL ACCOMMODATIONS DIVISION
 4TH FLOOR - 185 KING STREET
 R3B 1J1

Project:
 EAST ELMWOOD
 COMMUNITY
 CENTRE
 480 KEENEYSIDE,
 WINNIPEG, MB

Project Number: 2013-041
 Bid Opportunity Number: 748-2013

Drawing Title:
 CONTROLS
 SCHEMATICS 2 OF 2

Issue/Revision Date
 0 - ISSUED FOR TENDER 2013.12.05

Design By: SHC
 Date: 2013.08.23
 Design Check: [Signature]
 Date: 2013.12.05
 Drawn By: TJC
 Date: 2013.09.08
 DWG Check: [Signature]
 Date: 2013-12-05

Sheet No: M502

