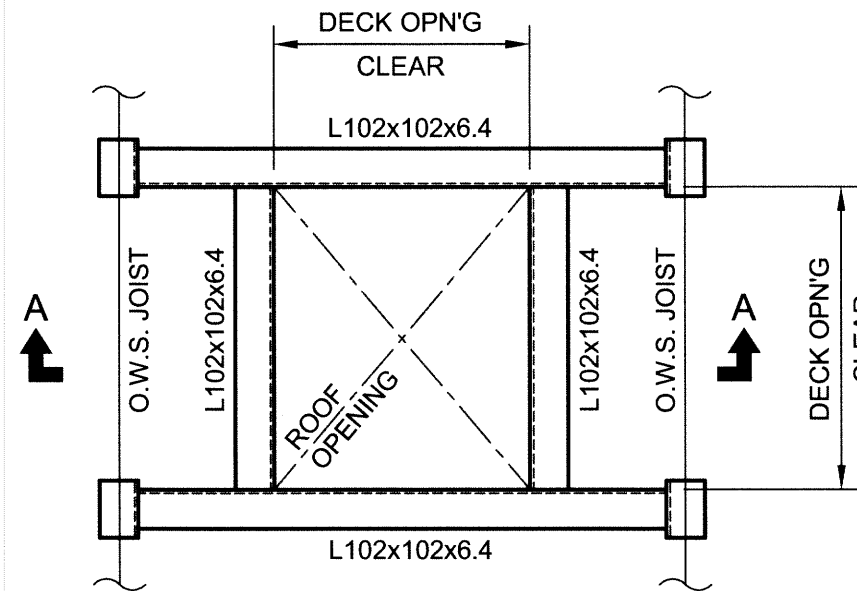
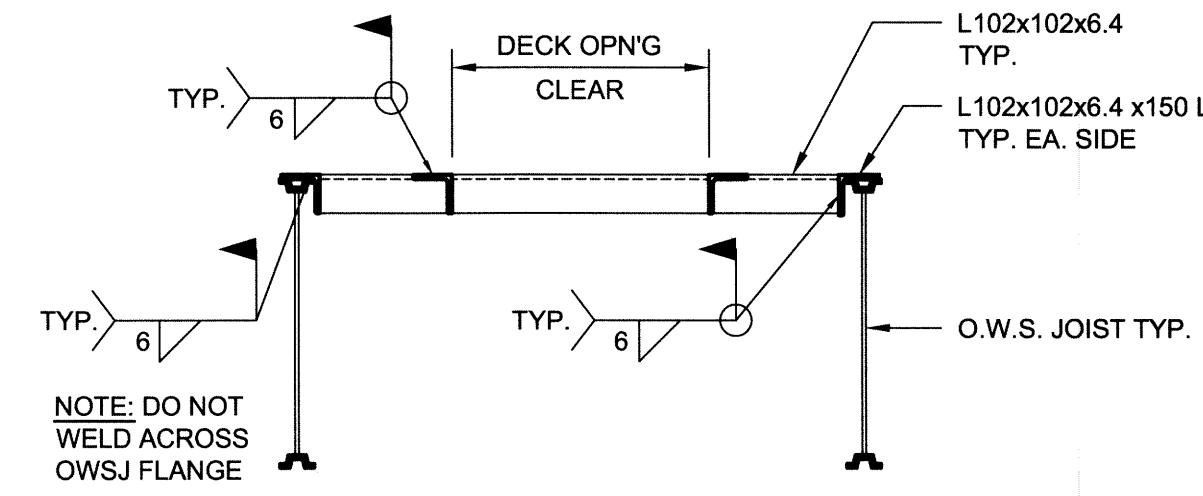


SECTION 4
1:10

SECTION 5
1:10

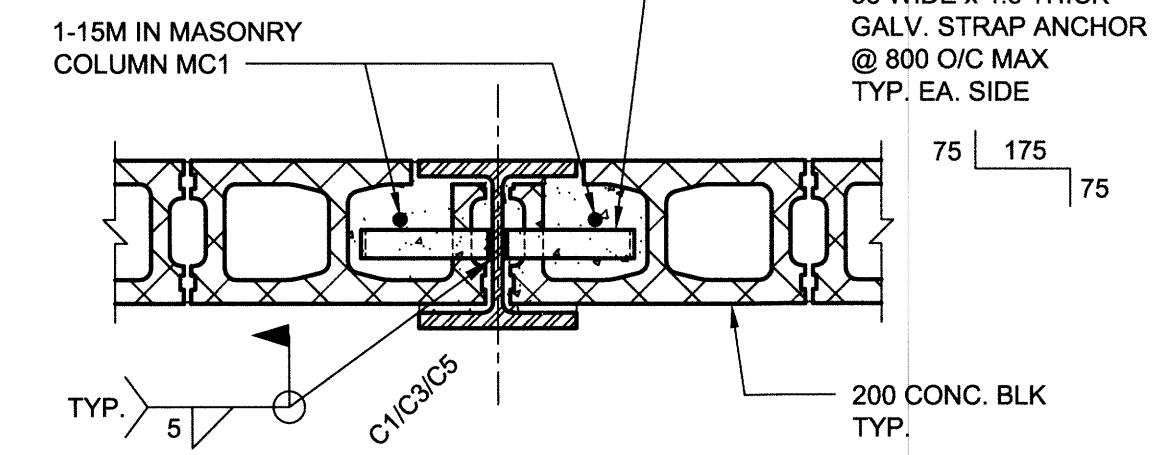


PLAN

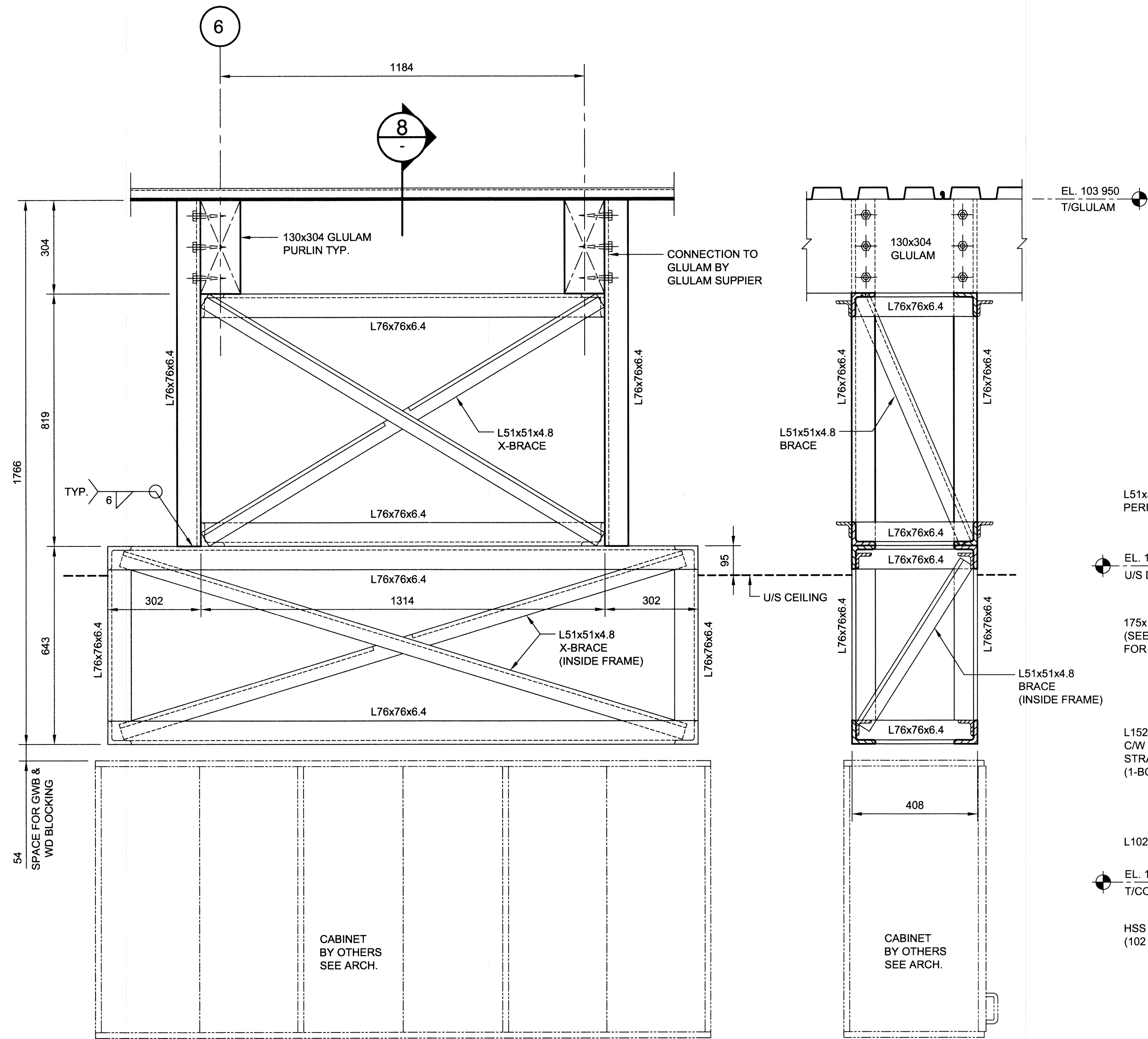


SECTION A-A

DETAIL 6
1:20

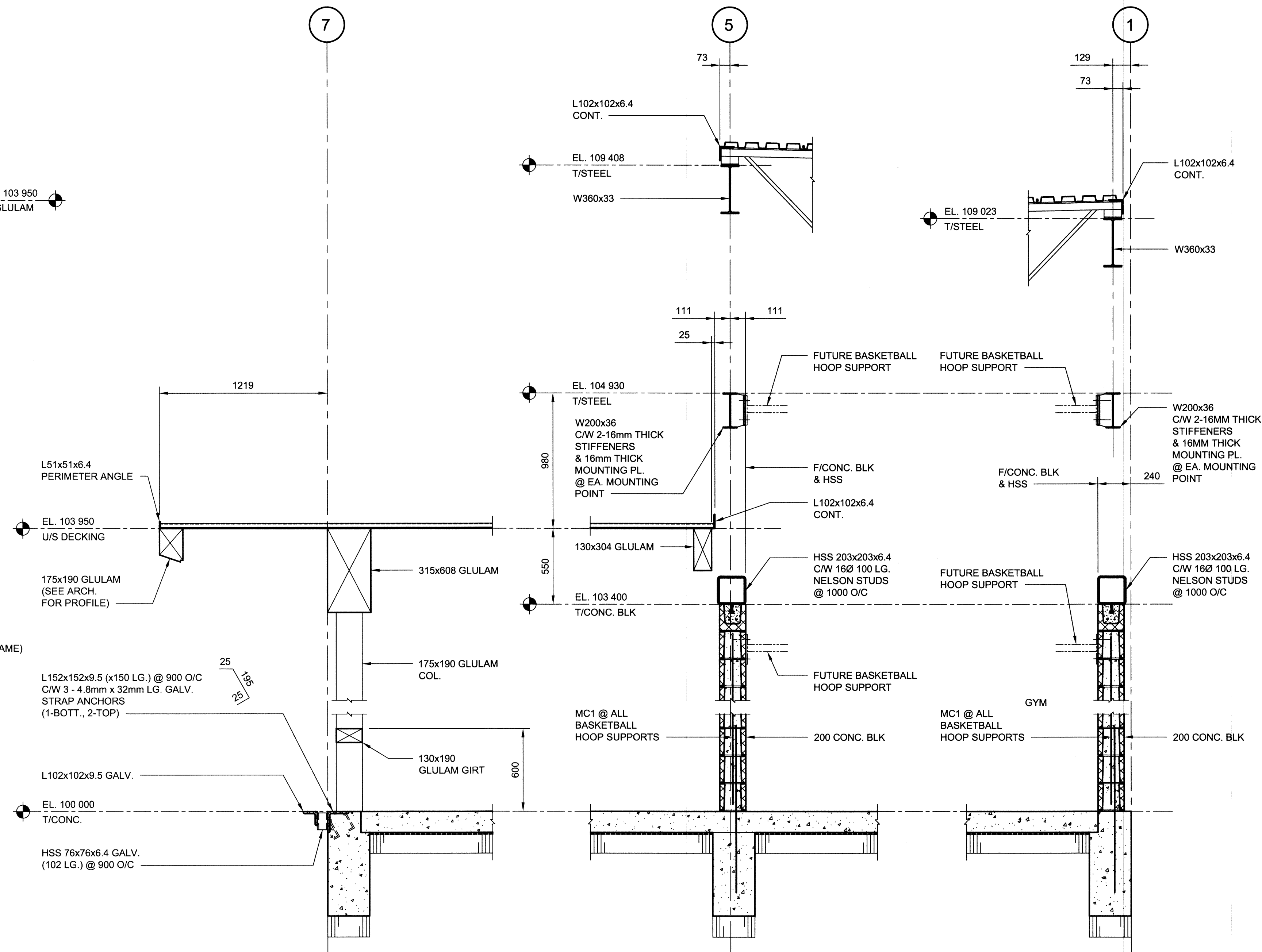


TYPICAL DETAIL 9
1:10



SECTION 7
1:10

SECTION 8
1:10



DETAIL 1
1:20

SECTION 2
1:20

SECTION 3
1:20

NOTE:
ALL CONNECTIONS TO BE
6mm FILLET WELDS UN