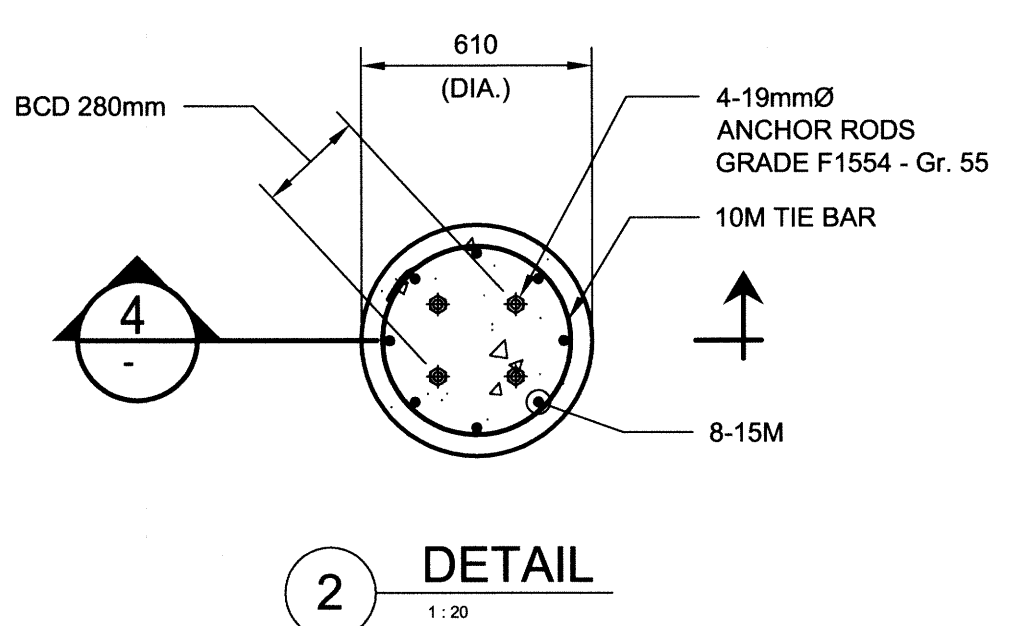
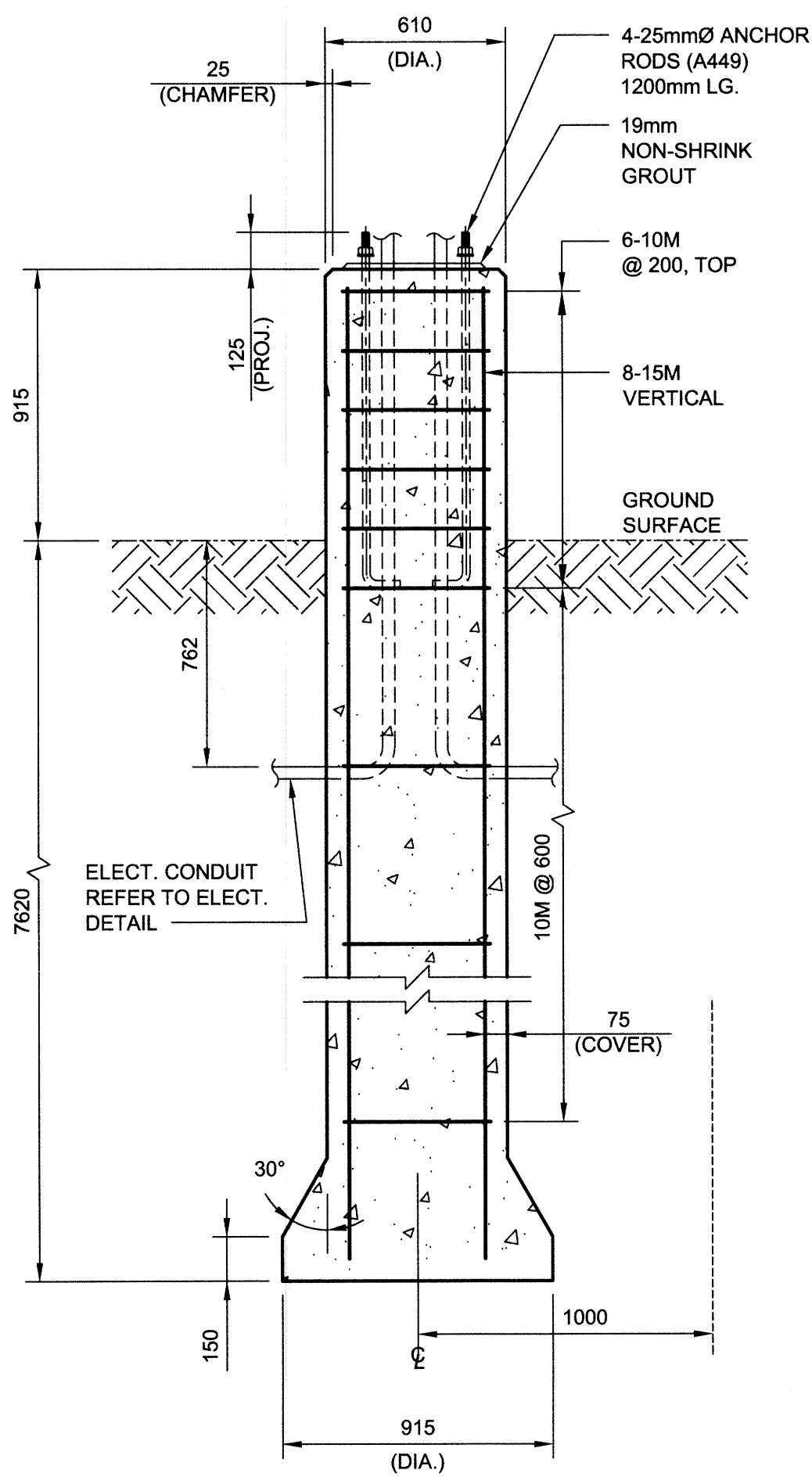


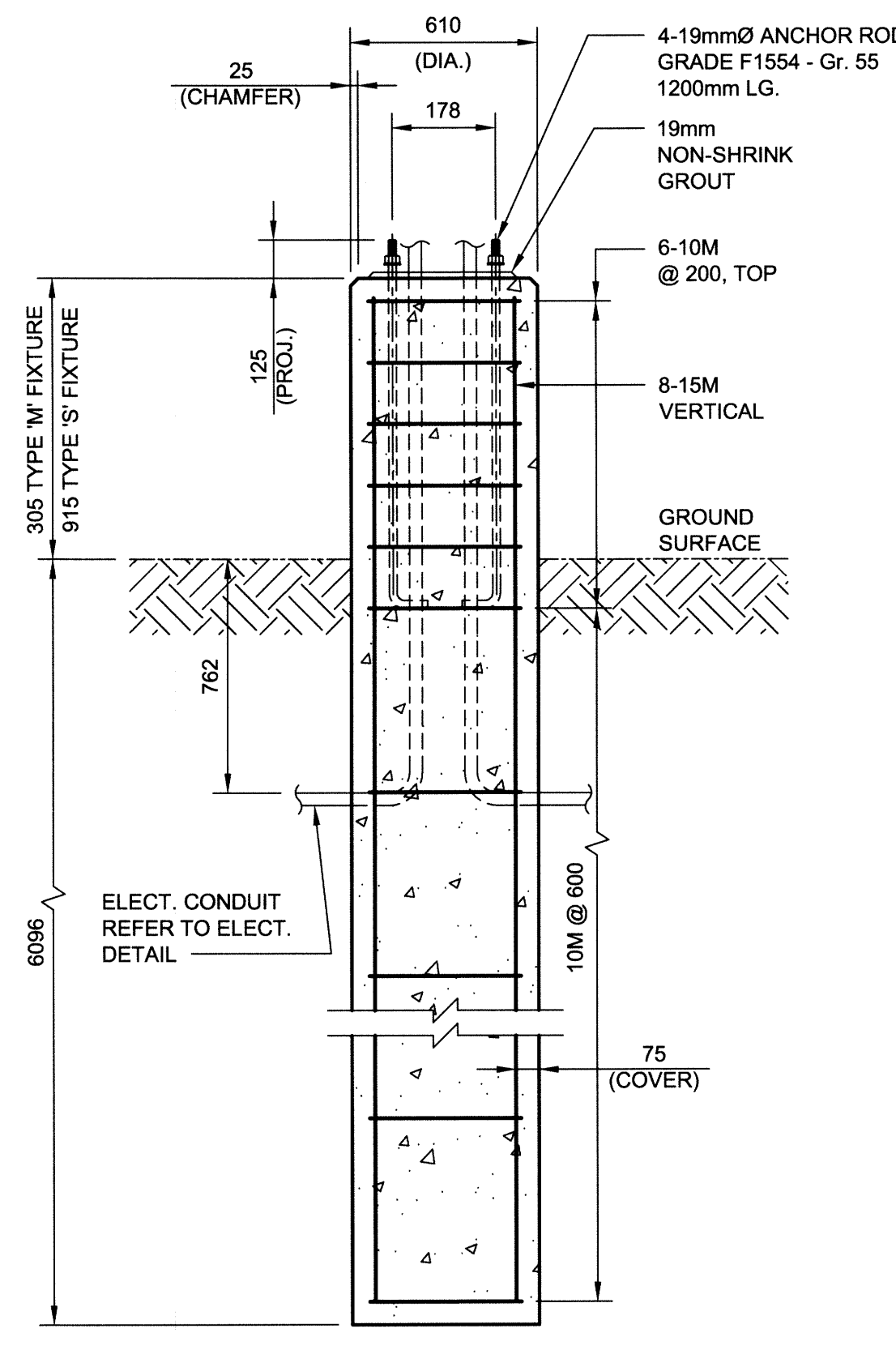
1 DETAIL
1:20



2 DETAIL
1:20

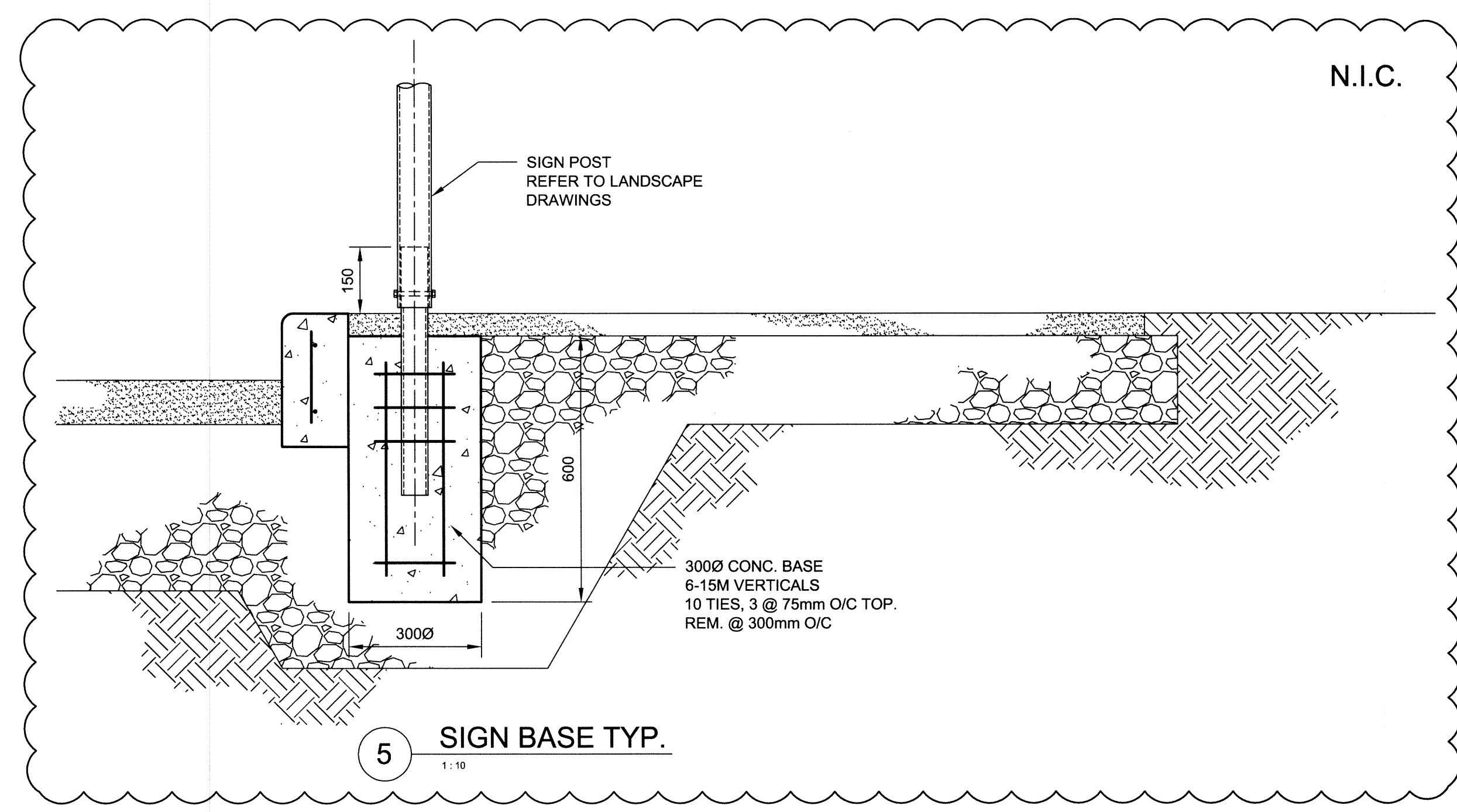


3 SECTION - TYPE 'F' FIXTURE
1:20

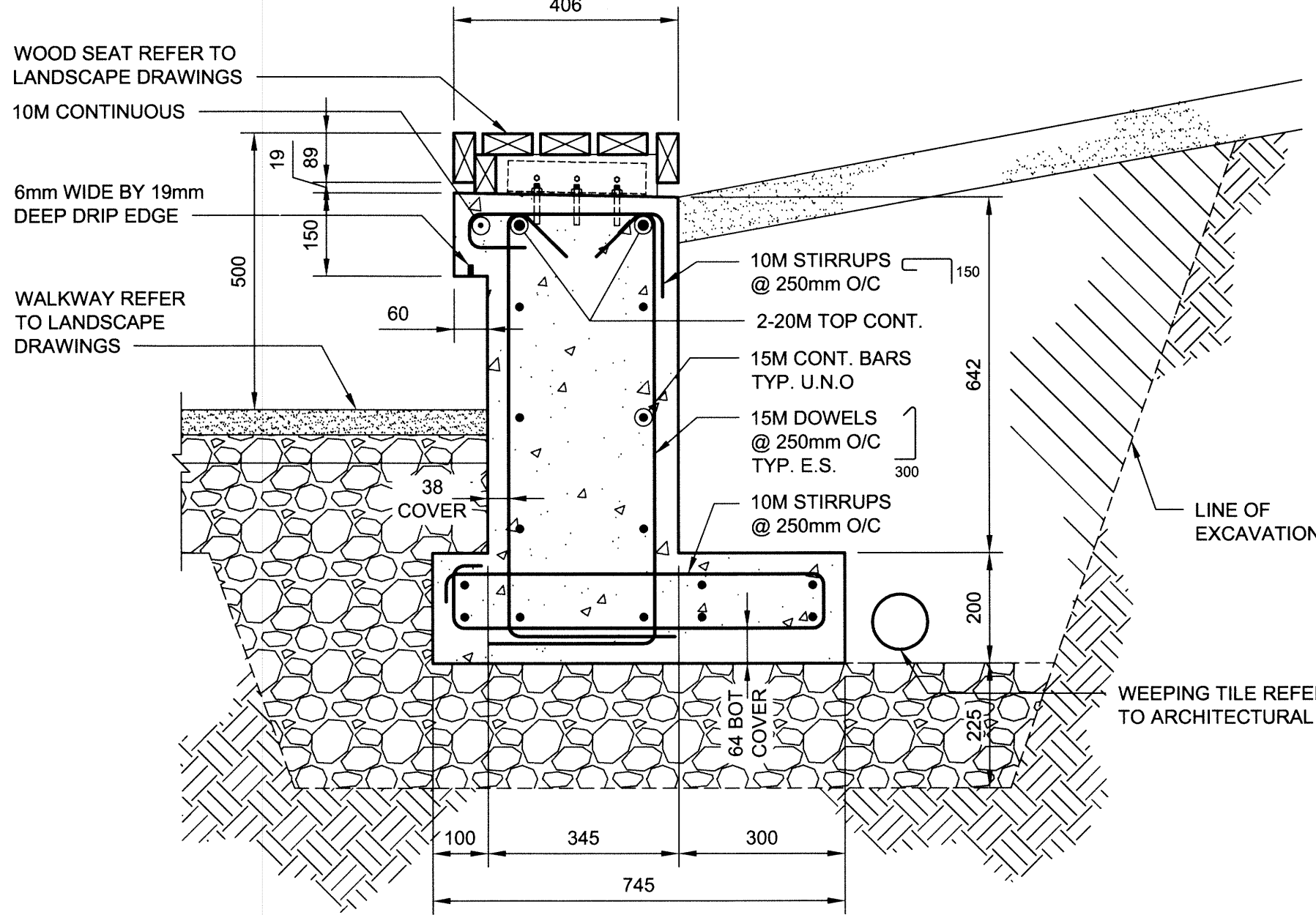


4 SECTION - TYPE 'M' & 'S' FIXTURE
1:20

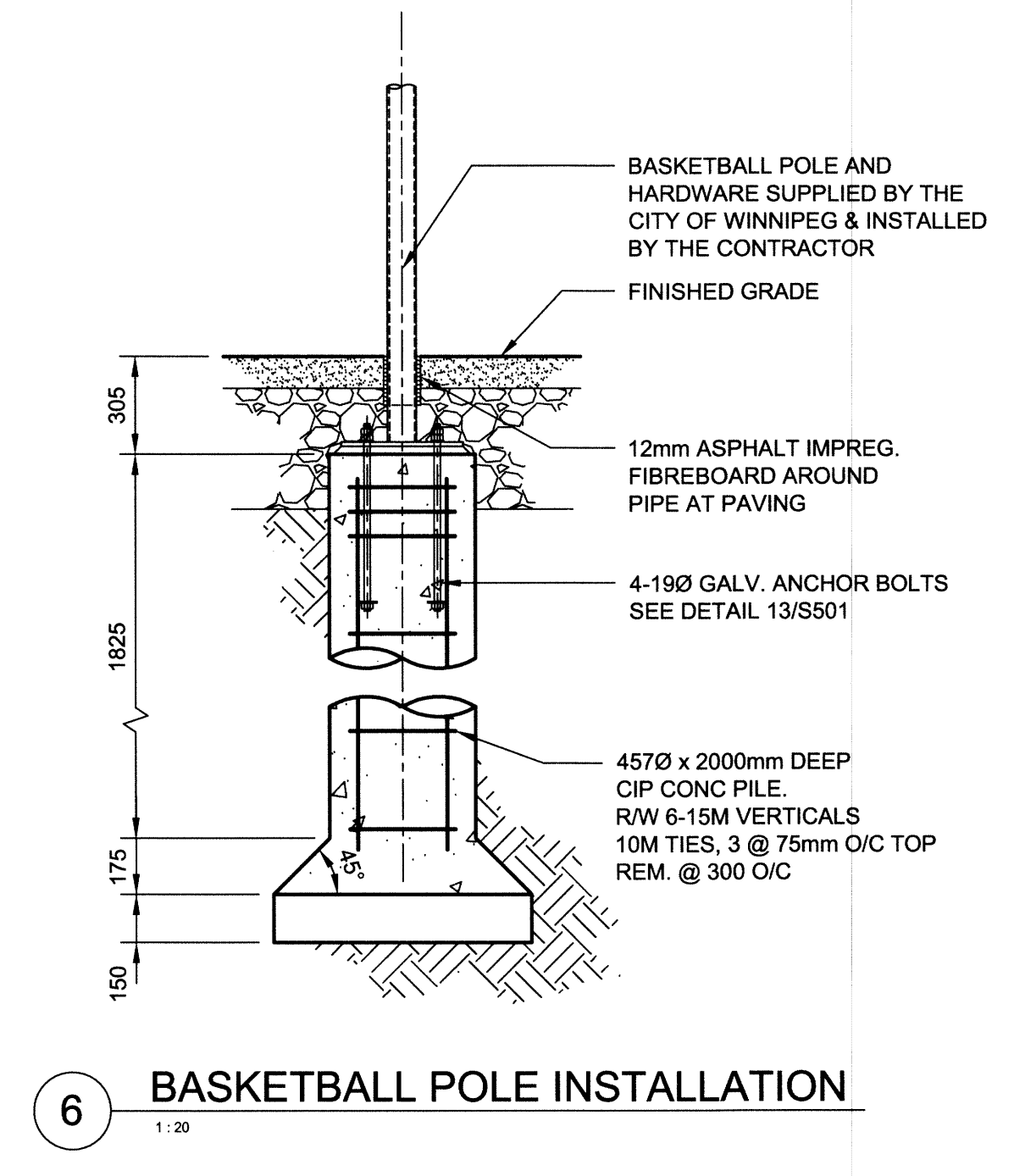
NOTE:
1. REFER TO LANDSCAPE AND ELECTRICAL DRAWINGS FOR LOCATIONS
2. CONFIRM ANCHOR BOLT LOCATIONS WITH REVIEWED LIGHT POLE SHOP DRAWINGS



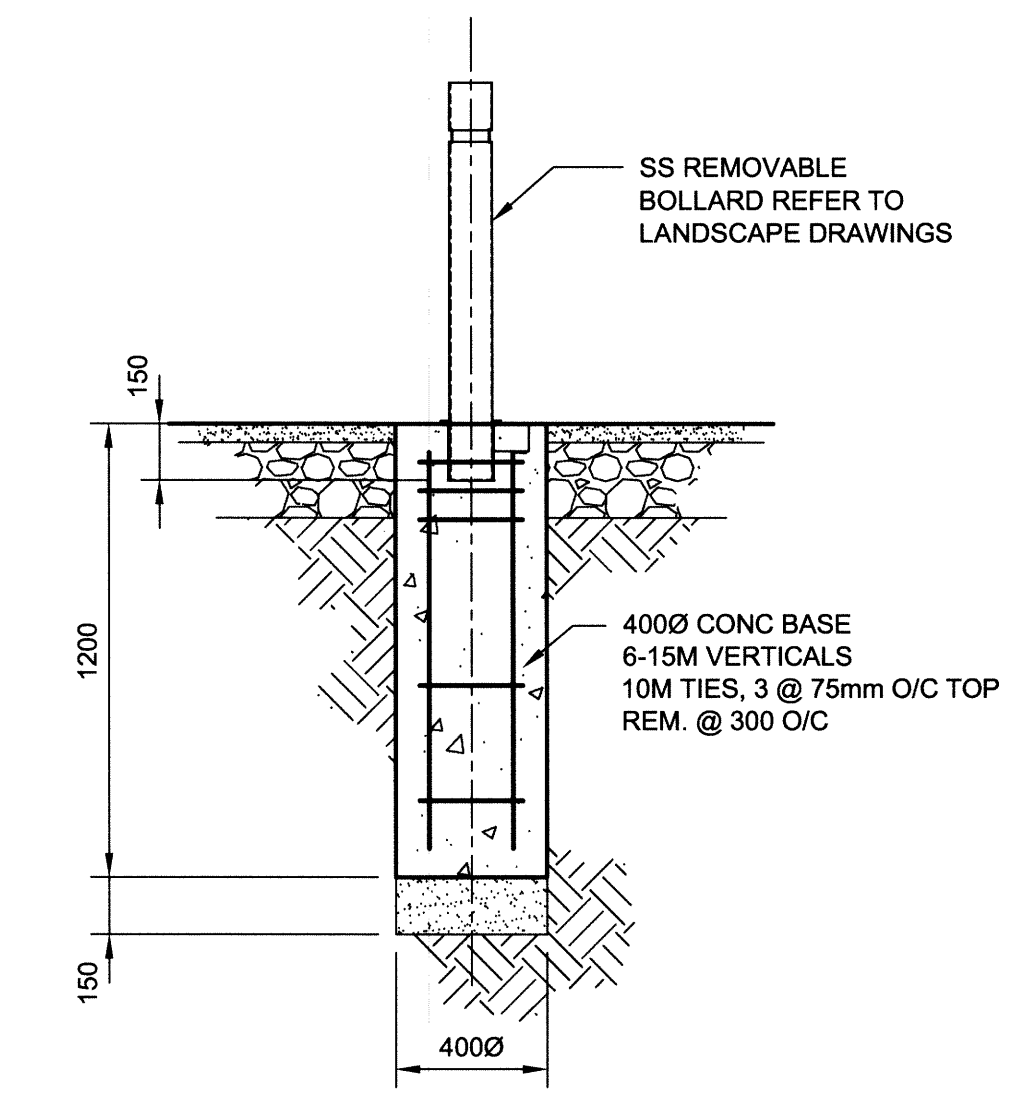
5 SIGN BASE TYP.
1:10



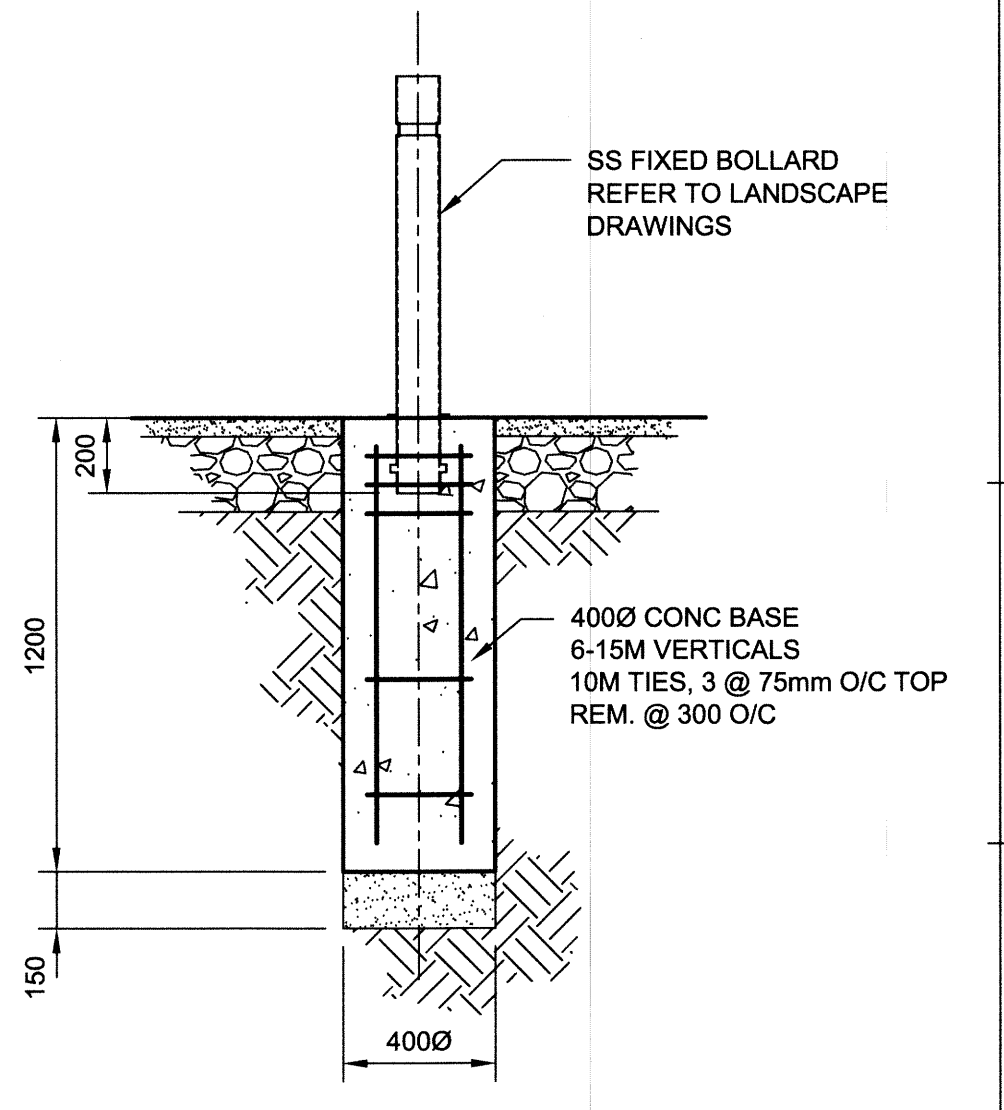
7 DETAIL
1:10



6 BASKETBALL POLE INSTALLATION
1:20



8 REMOVABLE BOLLARD DETAIL
1:20



9 FIXED BOLLARD DETAIL
1:20

bridgmancollaborative
 ARCHITECTURE
 www.bridgmancollaborative.com
 678 MAIN STREET WINNIPEG, MB R3B 1E4
 204.488.3857 TEL. 204.488.0216 FAX.

KGS GROUP
CONSULTING ENGINEERS

Winnipeg
THE CITY OF WINNIPEG PLANNING, PROPERTY AND DEVELOPMENT DEPARTMENT
MUNICIPAL ACCOMMODATIONS DIVISION
4TH FLOOR - 185 KING STREET
R3B 1J1

Project:
EAST ELMWOOD COMMUNITY CENTRE
480 KEENLEYSIDE, WINNIPEG, MB
Project Number: 2013-041
Bid Opportunity Number: 748-2013

Drawing Title:
SECTIONS & DETAILS

Issue/Revision Date
0 - ISSUED FOR TENDER 2013.12.05

Design By: PPG
Date: 2013.10.24
Design Check: PPG
Date: 2013.10.24
Drawn By: JAR
Date: 2013.10.24
DWG Check: PPG
Date: 2013.12.05
Sheet No: S555

APEGM
Certificate of Authorization
KGS Group
No. 245

PROFESSIONAL ENGINEER
Member
24287

This drawing is property of the Consultant and cannot be reproduced or used without the consent of the Consultant. The contractor is responsible for checking and verifying all sizes and dimensions and shall report all discrepancies to the Consultant and obtain clarification prior to commencing work.