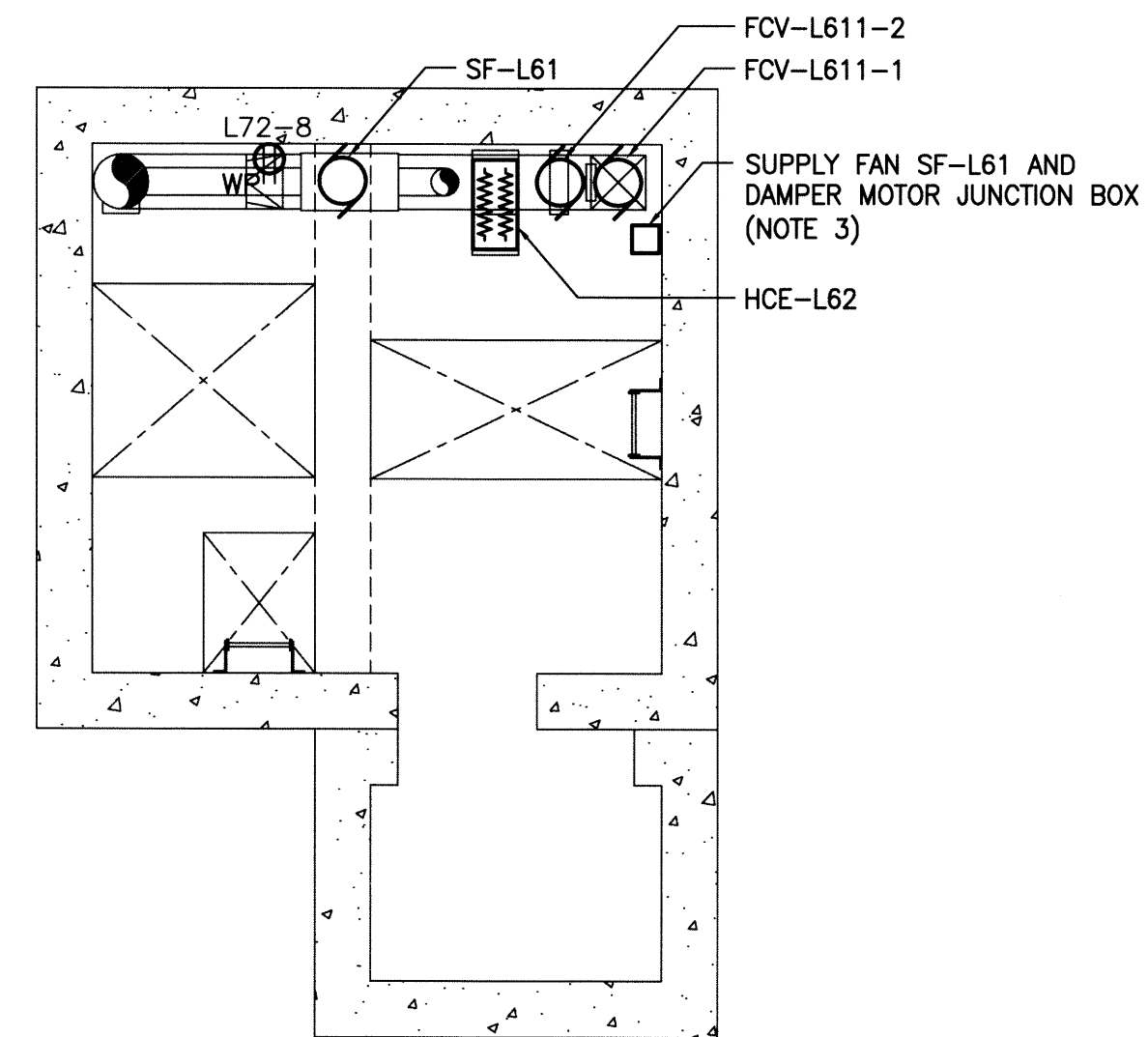


**ELECTRICAL ROOM FLOOR PLAN**

SCALE: 1:40



**FLOOR PLAN - LOWER LEVEL 1**

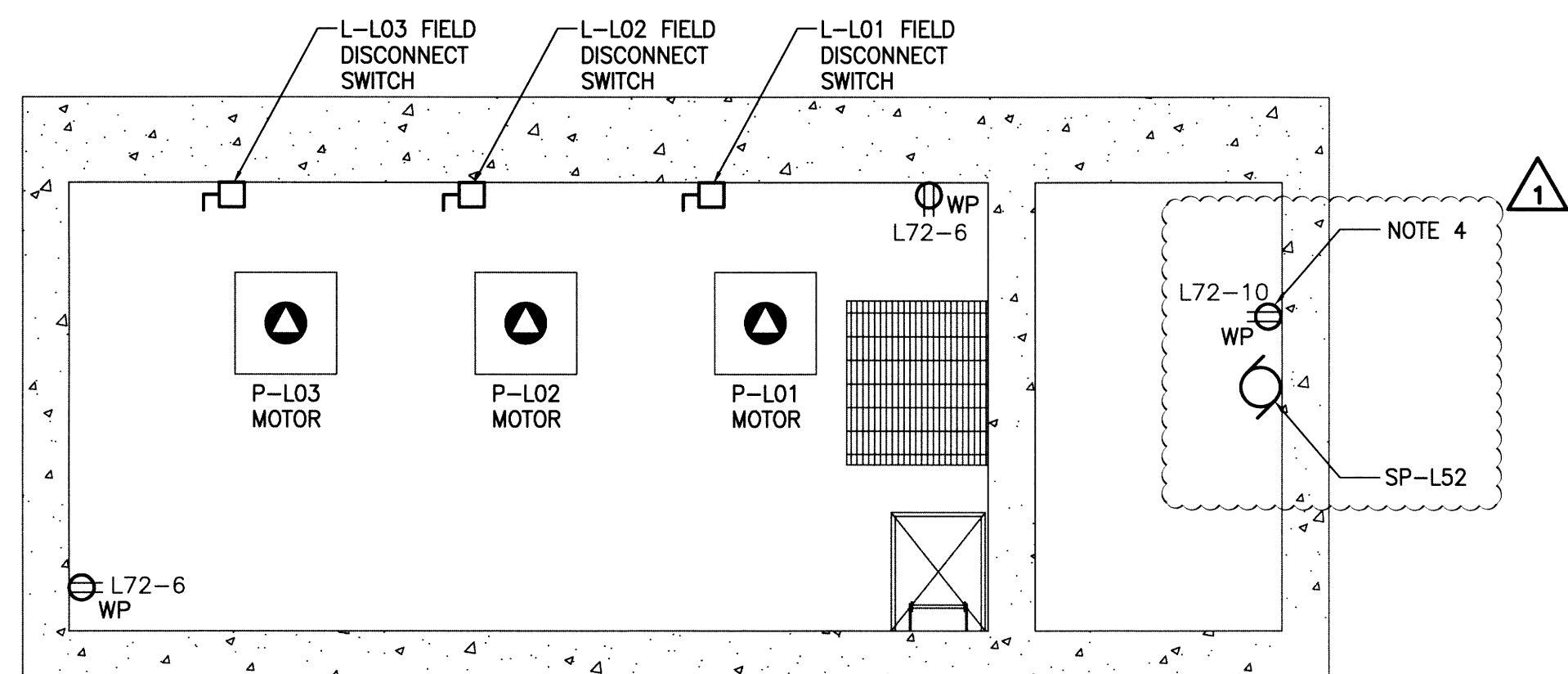
SCALE: 1:40

**NOTES:**

1. RECEPTACLE ON A DEDICATED 20A CIRCUIT FOR SUMP PUMP SP-L51 MOUNTED AT 1.2m AFF.
2. PROVIDE NEW JUNCTION BOX TO TERMINATE MTS SERVICE AND PROVIDE NEW PLYWOOD BACKBOARD AND CONDUIT FROM JUNCTION BOX TO BACKBOARD. COORDINATE ALL WORK WITH MTS AND PAY FOR ALL MTS CONTRIBUTION FEES AS REQUIRED.
3. REFER TO DRAWING 1-0116L-E0006-001 (E06) FOR SUPPLY FAN AND DAMPER MOTORS WIRING SCHEMATIC.
4. RECEPTACLE ON A DEDICATED 20A CIRCUIT FOR SUMP PUMP SP-L52 MOUNTED 600mm ABOVE COMMUNOTOR CHAMBER HIGH LEVEL SWITCH LSH-L513.

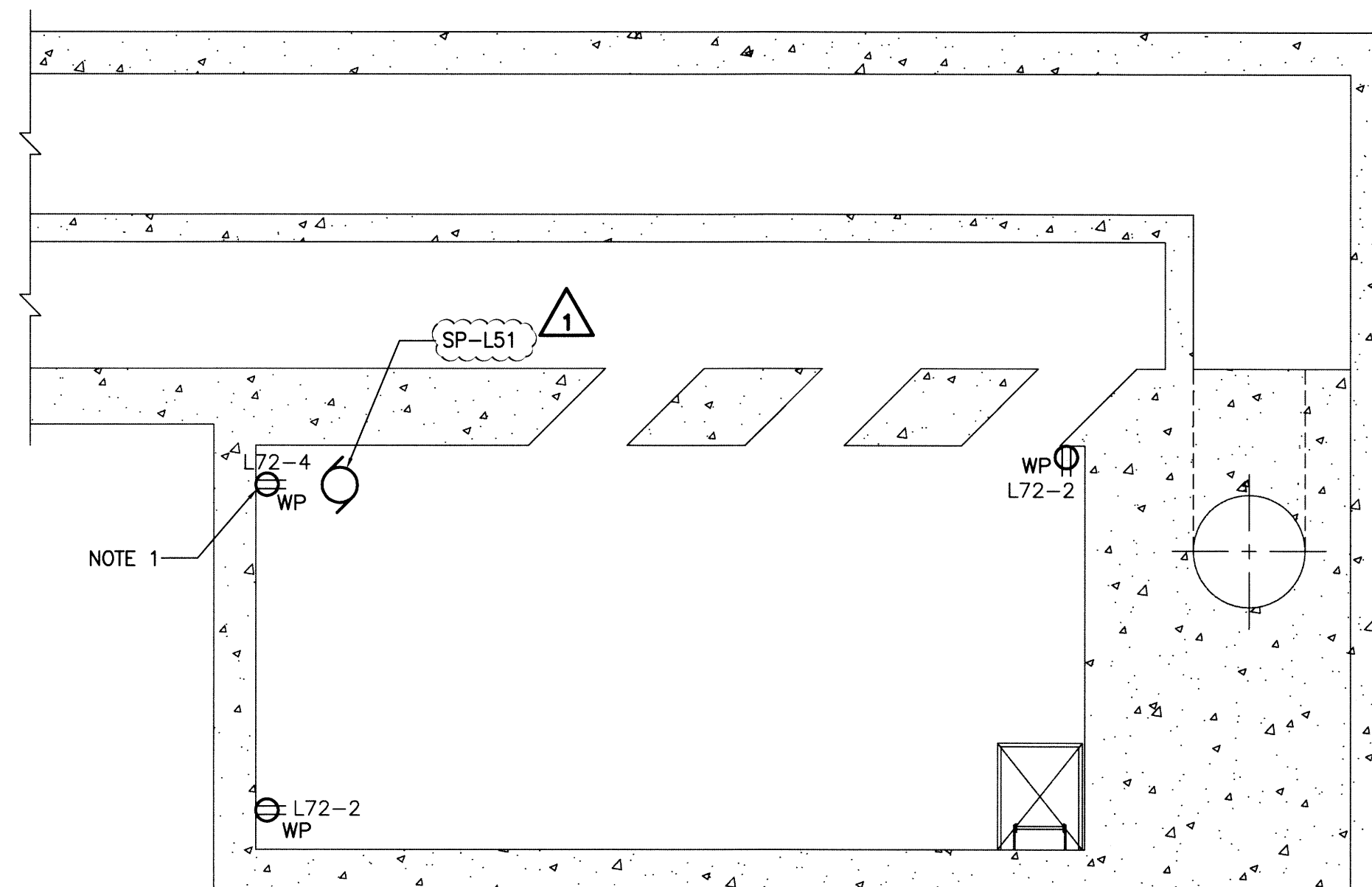
**LEGEND:**

- DUPLEX RECEPTACLE
- DENOTES:
  - GFI - GROUND FAULT INTERRUPTER
  - WP - WEATHERPROOF
- JUNCTION/OUTLET BOX
- 3φ MOTOR LOAD
- 1φ MOTOR LOAD
- LOCAL DISCONNECT SWITCH WP-WEATHERPROOF
- HEATER



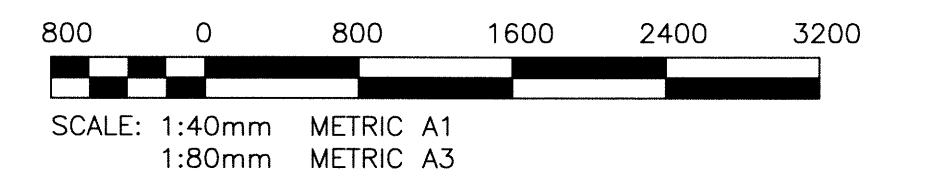
**MOTOR ROOM - FLOOR PLAN**

SCALE: 1:40



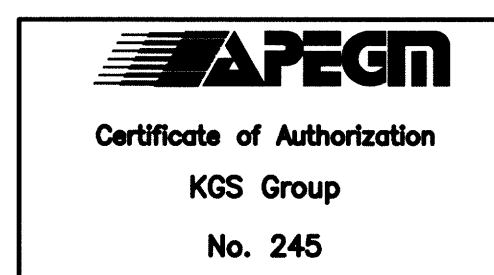
**FLOOR PLAN - PUMP ROOM**

SCALE: 1:40



**METRIC**

WHOLE NUMBERS INDICATE MILLIMETRES  
DECIMALIZED NUMBERS INDICATE METRES



FIELD BOOK #				KGS GROUP CONSULTING ENGINEERS		ENGINEER'S SEAL	
POSTED TO LBIS				DESIGNED BY DDW	CHECKED BY JAB		
				DRAWN BY GCN	APPROVED BY		
				HDR SCALE AS NOTED	RELEASED FOR CONSTRUCTION		
1	RE-ISSUED FOR CONSTRUCTION	14/07/14	JAB	VERTICAL AS NOTED		E11	
0	ISSUED FOR CONSTRUCTION	14/06/16	JAB		K.ZUREK		
NO.	REVISIONS	DATE	BY	DATE	2013 07 25	DATE 2014/06/16	

**THE CITY OF WINNIPEG**  
WATER AND WASTE DEPARTMENT

AUBREY WASTEWATER PUMPING STATION UPGRADE  
1016 PALMERSTON AVE  
**ELECTRICAL**  
POWER PLANS

SHEET X OF X  
CITY DRAWING NUMBER  
1-0116L-E0008-001