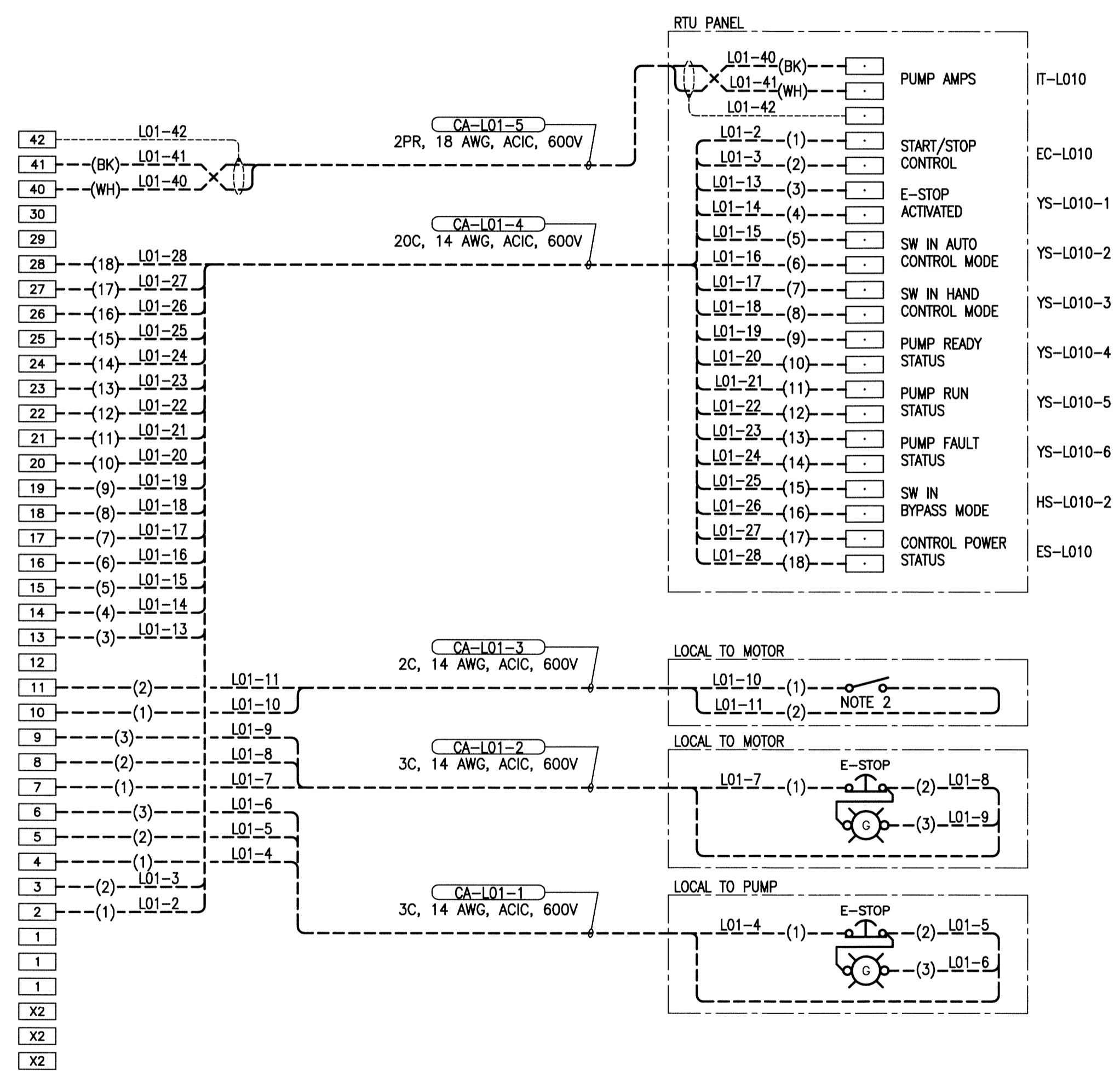
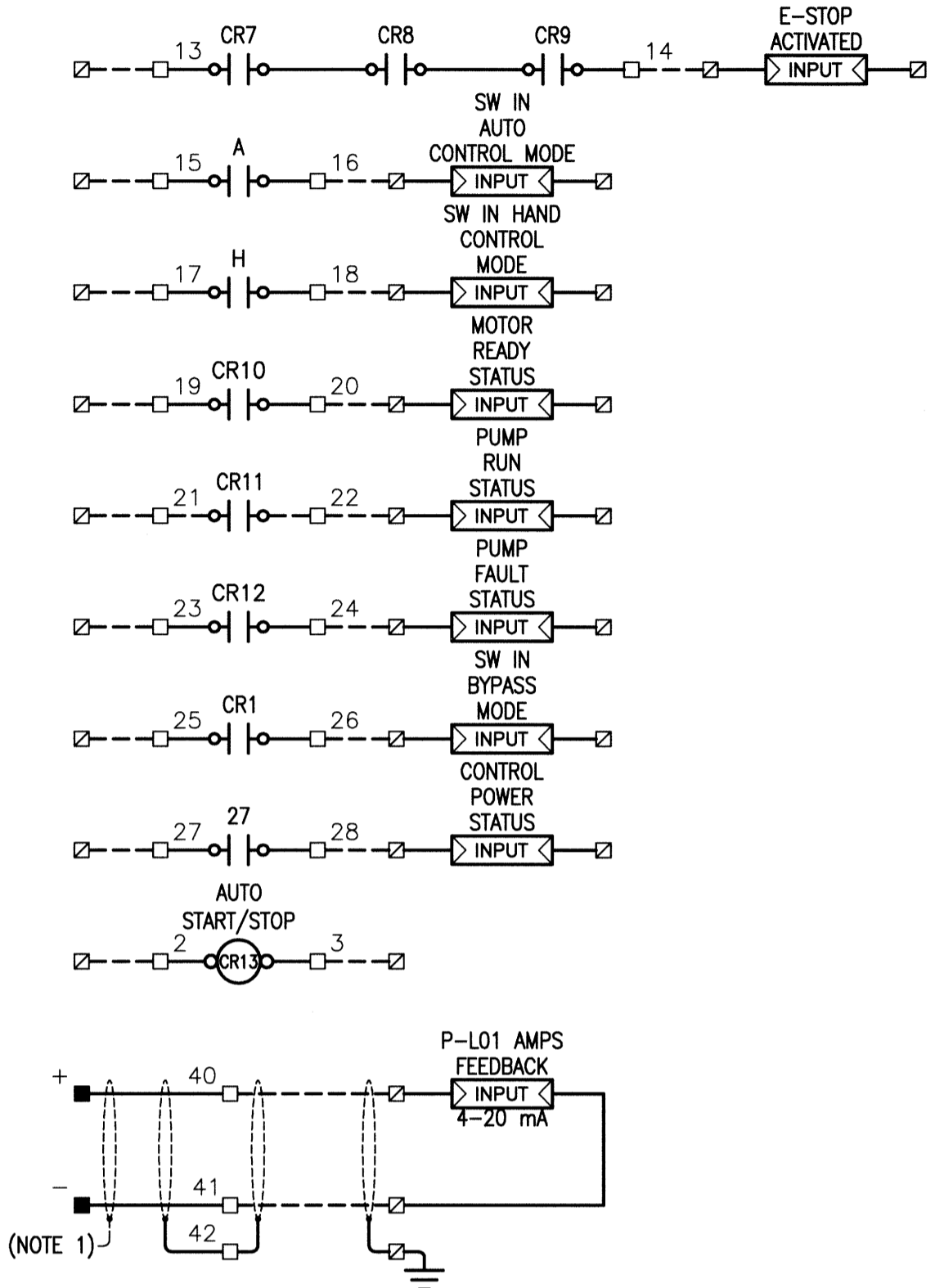


- NOTES:**
- ISOLATE AND TAPE BACK SHIELD AT THIS END ONLY.
  - AUXILIARY CONTACT ON DISCONNECT SWITCH SHALL BREAK BEFORE DISCONNECT OPENS AND MAKE AFTER DISCONNECT CLOSSES.
  - SS FAULT CONTACT SHALL BE CLOSED IN NORMAL OPERATION AND OPEN IN A FAULT CONDITION.

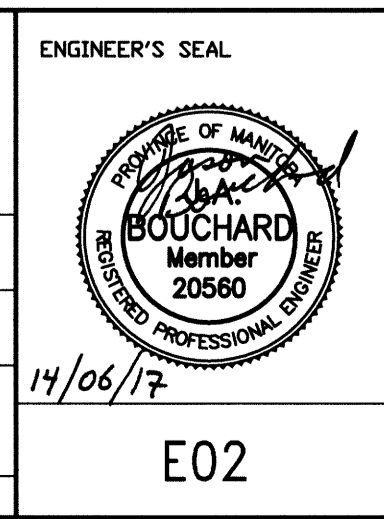
- LEGEND:**
- STARTER TERMINALS
  - ⊗ SOFT STARTER TERMINALS
  - ⊗ RTU TERMINALS
  - FIELD WIRING
  - PANEL WIRING
  - CONDUCTOR IDENTIFICATION
  - WIRE CONNECTION
  - PILOT LIGHT
  - ◁ OUTPUT ▷ RTU OUTPUT
  - ▷ INPUT ◁ RTU INPUT



File Name: P:\Projects\2013\13-0107-021\Doc\Control\Tab\Issued\DMG\13-0107-021\_E02-Rev 0.dwg - Tab: E02 Plotted By: Dberoch 06/17/2014 [Tue 3:39pm]



FIELD BOOK #		DESIGNED BY DDW		CHECKED BY <i>MS</i>	
POSTED TO LBIS		DRAWN BY GCN	APPROVED BY		
0	ISSUED FOR CONSTRUCTION	14/06/16	JAB	HR. SCALE AS NOTED	AS NOTED
NO.	REVISIONS	DATE	BY	DATE	2013 07 25
				RELEASED FOR CONSTRUCTION	K.ZUREK
				DATE	2014/06/16



**THE CITY OF WINNIPEG**  
WATER AND WASTE DEPARTMENT

AUBREY WASTEWATER PUMPING STATION UPGRADE  
1016 PALMERSTON AVE  
**ELECTRICAL**  
PUMP P-L01  
STARTER SCHEMATIC & WIRING DIAGRAM

SHEET 1 OF 1  
CITY DRAWING NUMBER  
1-0116L-E0002-001