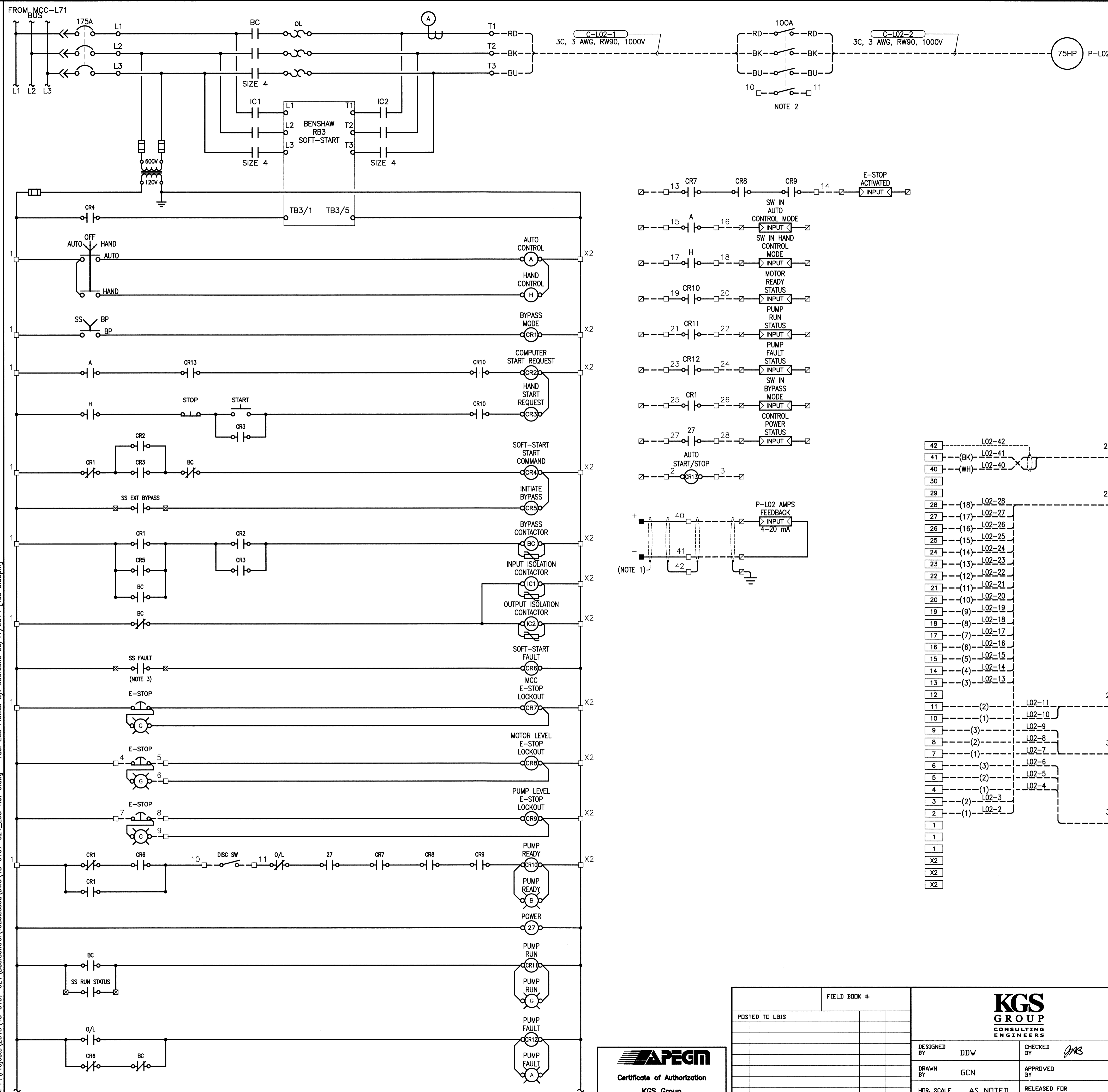
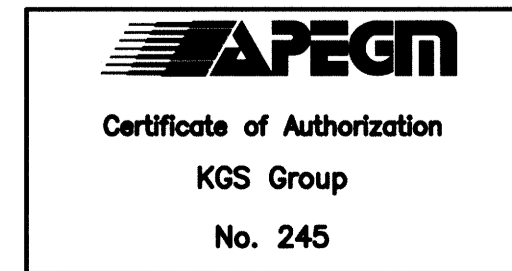
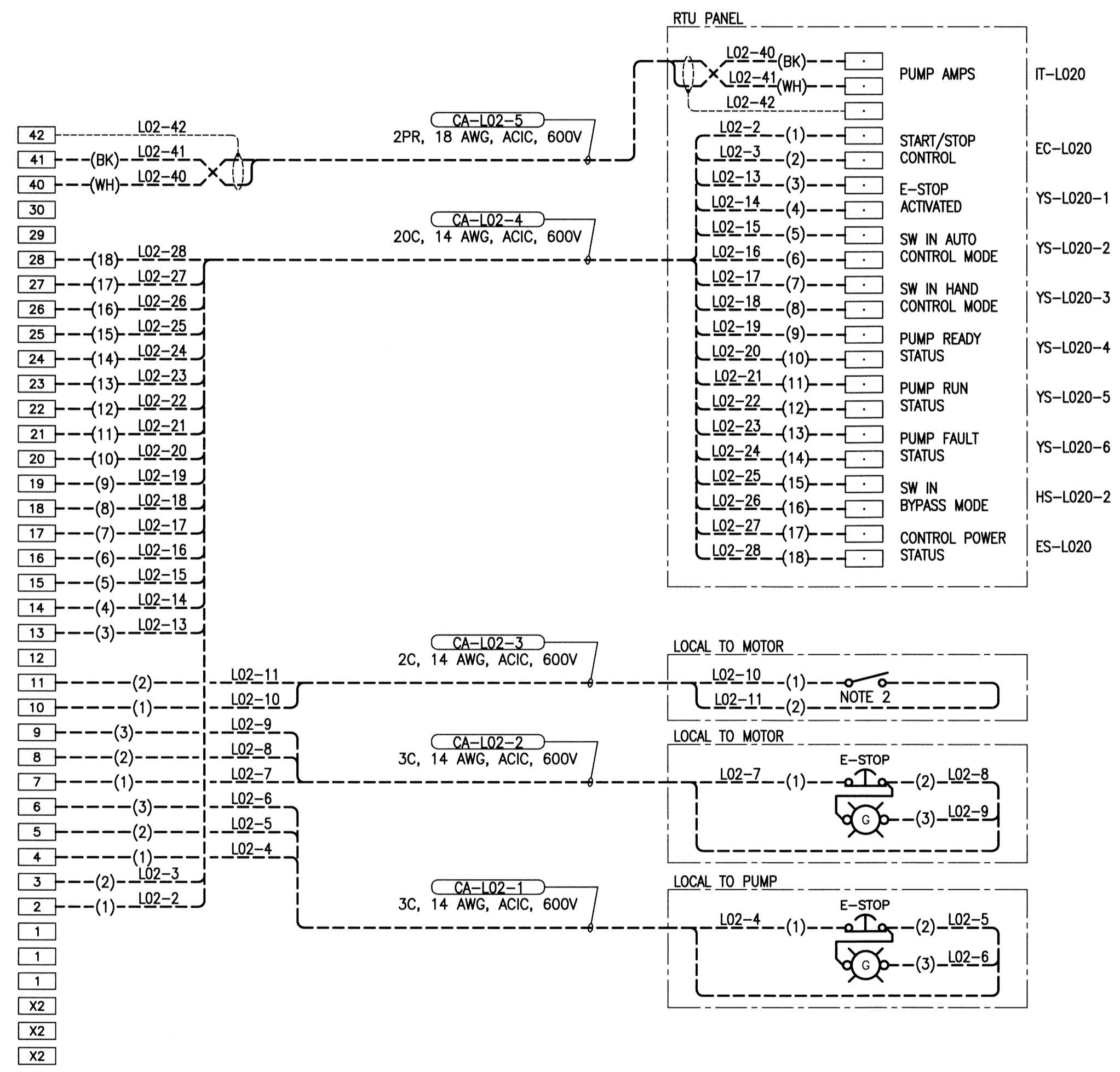
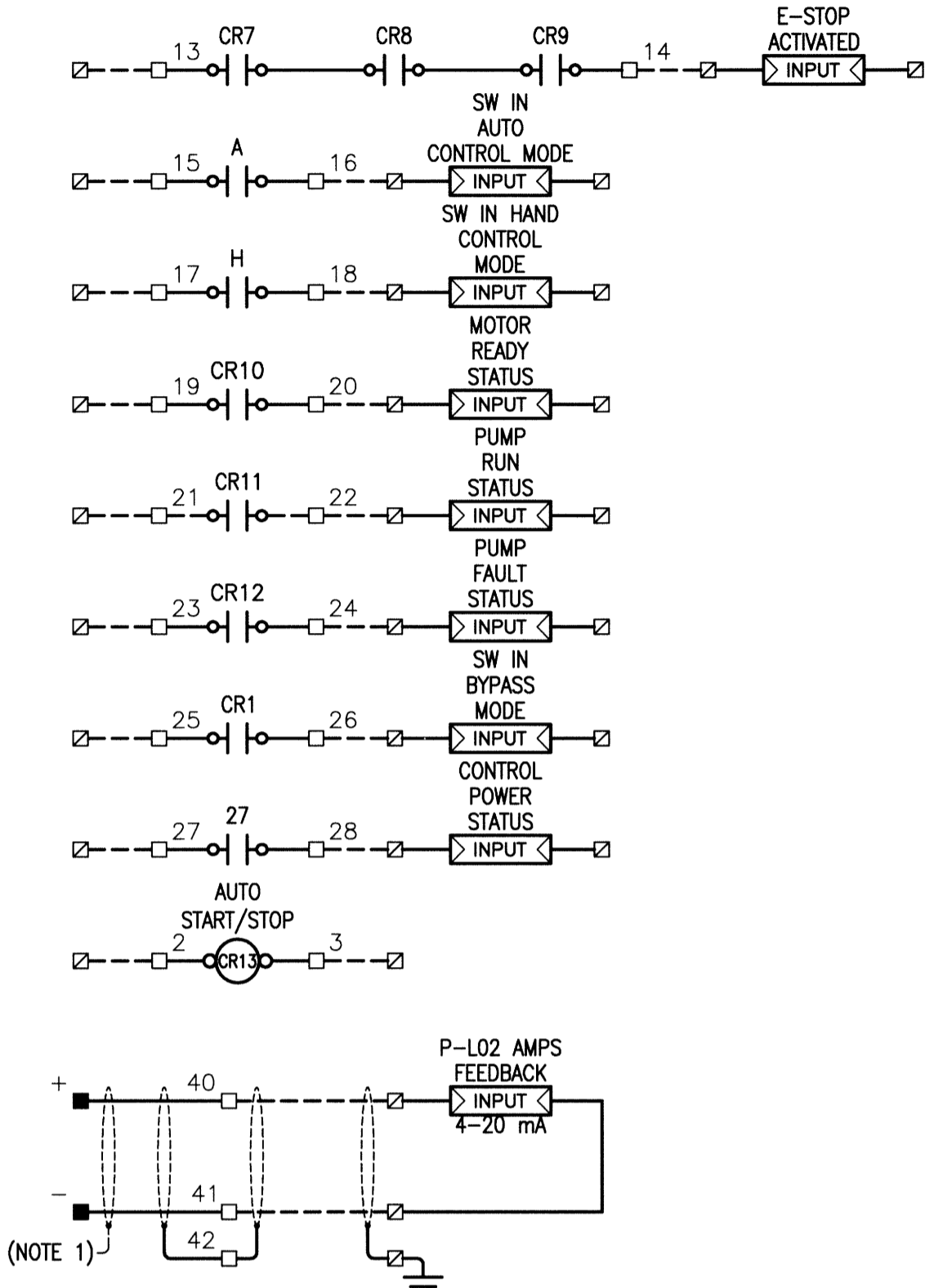


CW-9-M564-1



- NOTES:**
- ISOLATE AND TAPE BACK SHIELD AT THIS END ONLY.
 - AUXILIARY CONTACT ON DISCONNECT SWITCH SHALL BREAK BEFORE DISCONNECT OPENS AND MAKE AFTER DISCONNECT CLOSSES.
 - SS FAULT CONTACT SHALL BE CLOSED IN NORMAL OPERATION AND OPEN IN A FAULT CONDITION.

- LEGEND:**
- STARTER TERMINALS
 - ⊗ SOFT STARTER TERMINALS
 - ⊗ RTU TERMINALS
 - FIELD WIRING
 - PANEL WIRING
 - CONDUCTOR IDENTIFICATION
 - WIRE CONNECTION
 - PILOT LIGHT
 - ◻ OUTPUT
 - ◻ INPUT



FIELD BOOK #				ENGINEER'S SEAL	
POSTED TO LBIS					
DESIGNED BY	DDJW	CHECKED BY	QMS	APPROVED BY	K.ZUREK
DRAWN BY	GCN	RELEASED FOR CONSTRUCTION	DATE 2014/06/16		
HDR. SCALE	AS NOTED	DATE	2013 07 25	E03	
VERTICAL	AS NOTED				
0 ISSUED FOR CONSTRUCTION	14/06/16	JAB			
NO. REVISIONS	DATE	BY			

THE CITY OF WINNIPEG
 WATER AND WASTE DEPARTMENT

AUBREY WASTEWATER PUMPING STATION UPGRADE
 1016 PALMERSTON AVE
ELECTRICAL
 PUMP P-L02
 STARTER SCHEMATIC & WIRING DIAGRAM

SHEET 1 OF 1
 CITY DRAWING NUMBER
 1-0116L-E0003-001

File Name: F:\Projects\2013\13-0107-021\Doc\Control\Tab\Beissued\DWG\13-0107-021.dwg - Tab: E03 Plotted By: Dberche 06/17/2014 [Tue 3:38pm]