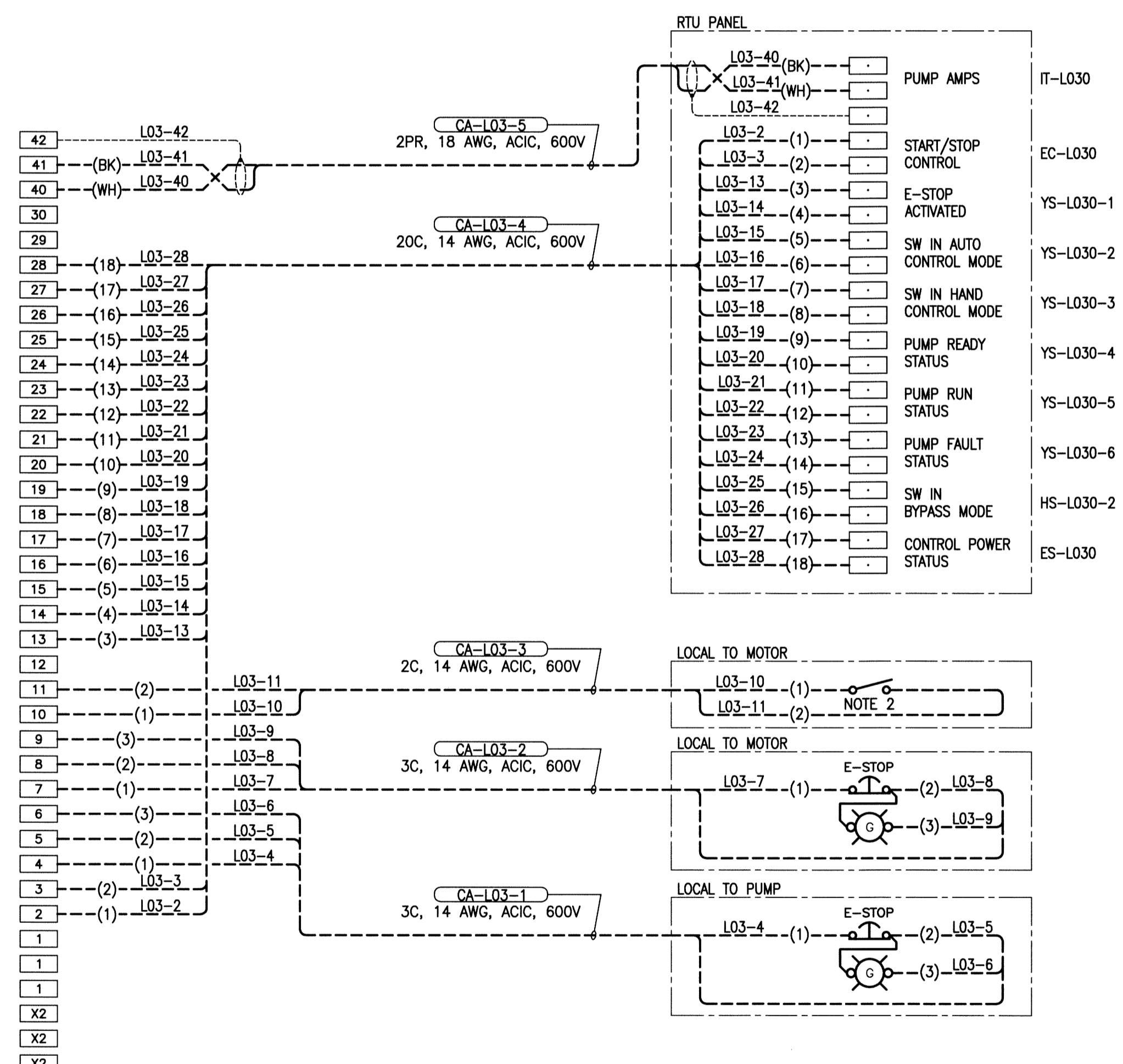
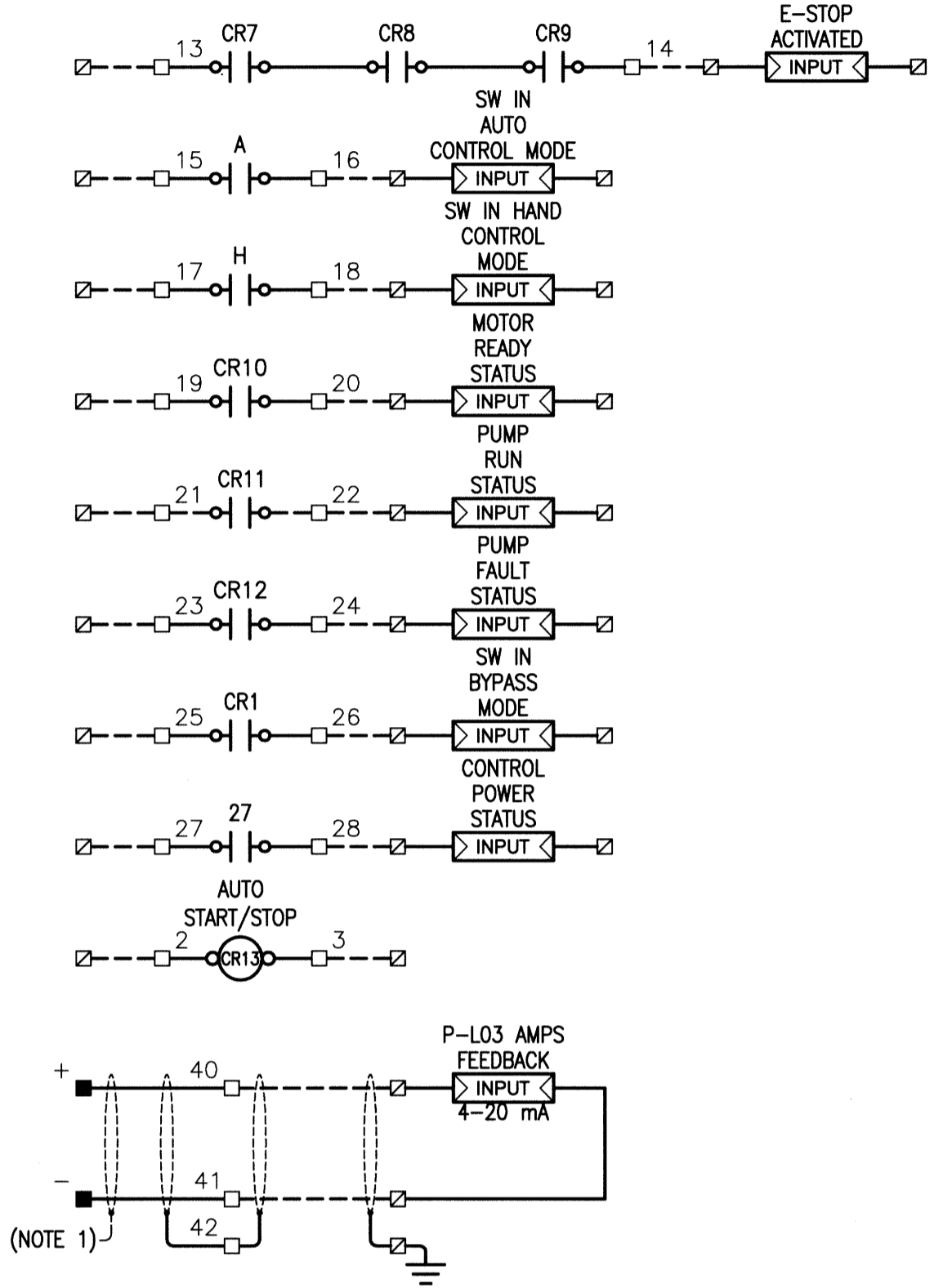


- NOTES:**
- ISOLATE AND TAPE BACK SHIELD AT THIS END ONLY.
 - AUXILIARY CONTACT ON DISCONNECT SWITCH SHALL BREAK BEFORE DISCONNECT OPENS AND MAKE AFTER DISCONNECT CLOSES.
 - SS FAULT CONTACT SHALL BE CLOSED IN NORMAL OPERATION AND OPEN IN A FAULT CONDITION.

- LEGEND:**
- STARTER TERMINALS
 - ⊗ SOFT STARTER TERMINALS
 - ⊗ RTU TERMINALS
 - FIELD WIRING
 - PANEL WIRING
 - CONDUCTOR IDENTIFICATION
 - WIRE CONNECTION
 - PILOT LIGHT
 - ⊗ OUTPUT RTU OUTPUT
 - ⊗ INPUT RTU INPUT



File Name: P:\Projects\2013\13-0107-021\Doc\Control\ToBeIssued\DWG\13-0107-021_E04-Rev 0.dwg - Tab: E04 Plotted By: DDerocche 06/17/2014 [Tue 3:38pm]



FIELD BOOK #:		KGS GROUP CONSULTING ENGINEERS		ENGINEER'S SEAL BOUCHARD Member 20560 14/06/17	
POSTED TO LBIS		DESIGNED BY	DDW	CHECKED BY	JAB
		DRAWN BY	GCN	APPROVED BY	
		HDR. SCALE	AS NOTED	RELEASED FOR CONSTRUCTION	K.ZUREK
0 ISSUED FOR CONSTRUCTION	14/06/16	VERTICAL	AS NOTED		
NO. REVISIONS	DATE	DATE	2013 07 25	DATE	2014/06/16

THE CITY OF WINNIPEG
WATER AND WASTE DEPARTMENT

AUBREY WASTEWATER PUMPING STATION UPGRADE
1016 PALMERSTON AVE
ELECTRICAL
PUMP P-L03
STARTER SCHEMATIC & WIRING DIAGRAM

SHEET 1 OF 1
CITY DRAWING NUMBER
1-0116L-E0004-001