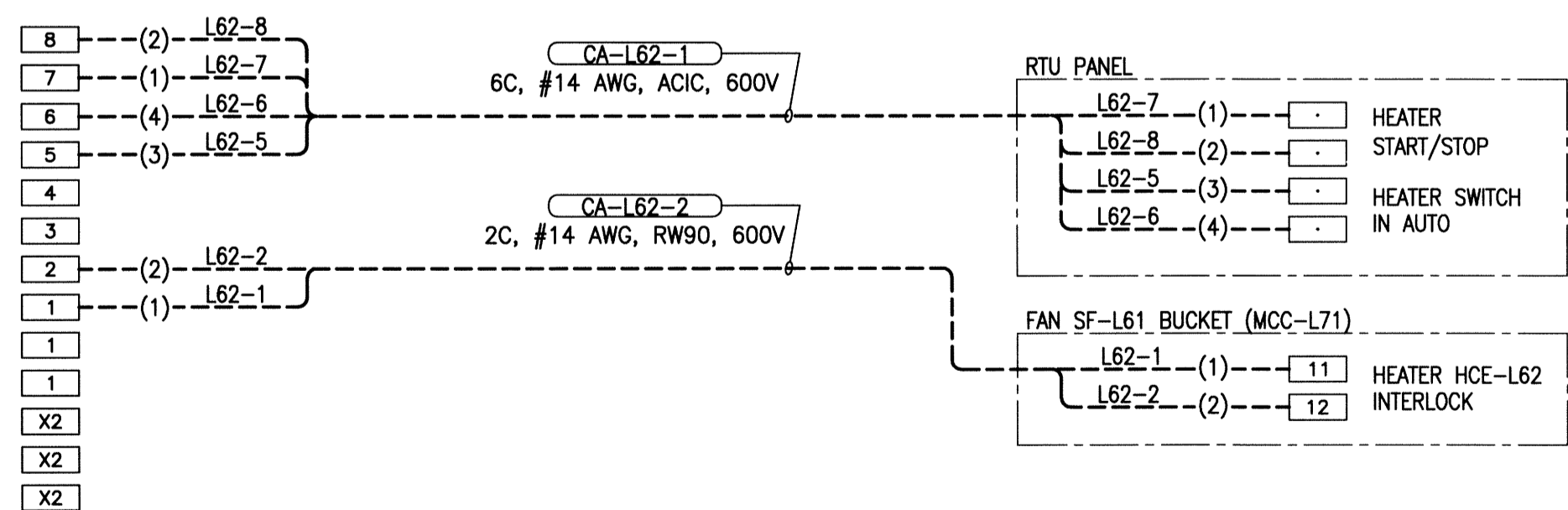


NOTES:

1. REFER TO DRAWING 1-0116L-E0020-001 (E30) FOR COMPLETE CIRCUIT DETAILS.
2. REFER TO DRAWING 1-0116L-E0006-001 (E06) FOR COMPLETE CIRCUIT DETAILS.
3. REFER TO DRAWING 1-0116L-E0024-001 (E35) FOR ADDITIONAL DETAILS.

LEGEND:

- STARTER TERMINALS
- ▣ RTU TERMINALS
- FAN SF-L61 TERMINAL
- FIELD WIRING
- PANEL WIRING
- CONDUCTOR IDENTIFICATION
- WIRE CONNECTION
- PILOT LIGHT
- ◀ OUTPUT ▶ RTU OUTPUT
- ▶ INPUT ◀ RTU INPUT



POSTED TO LBIS		FIELD BOOK #		KGS GROUP CONSULTING ENGINEERS		ENGINEER'S SEAL	
DESIGNED BY	DDW	CHECKED BY	JAB	BOUCHARD		20560	
DRAWN BY	GCN	APPROVED BY		14/06/17		E05	
HDR. SCALE	N.T.S.	RELEASED FOR CONSTRUCTION	K.ZUREK				
0 ISSUED FOR CONSTRUCTION	14/06/16	DATE	JAB	DATE	2013 07 25	DATE	2014/06/16
NO. REVISIONS		DATE	BY	DATE	2013 07 25	DATE	2014/06/16

THE CITY OF WINNIPEG
WATER AND WASTE DEPARTMENT

AUBREY WASTEWATER PUMPING STATION UPGRADE
1016 PALMERSTON AVE
ELECTRICAL
HEATER HCE-L62
SCHEMATIC & WIRING DIAGRAM

SHEET 1 OF 1
CITY DRAWING NUMBER
1-0116L-E0005-001