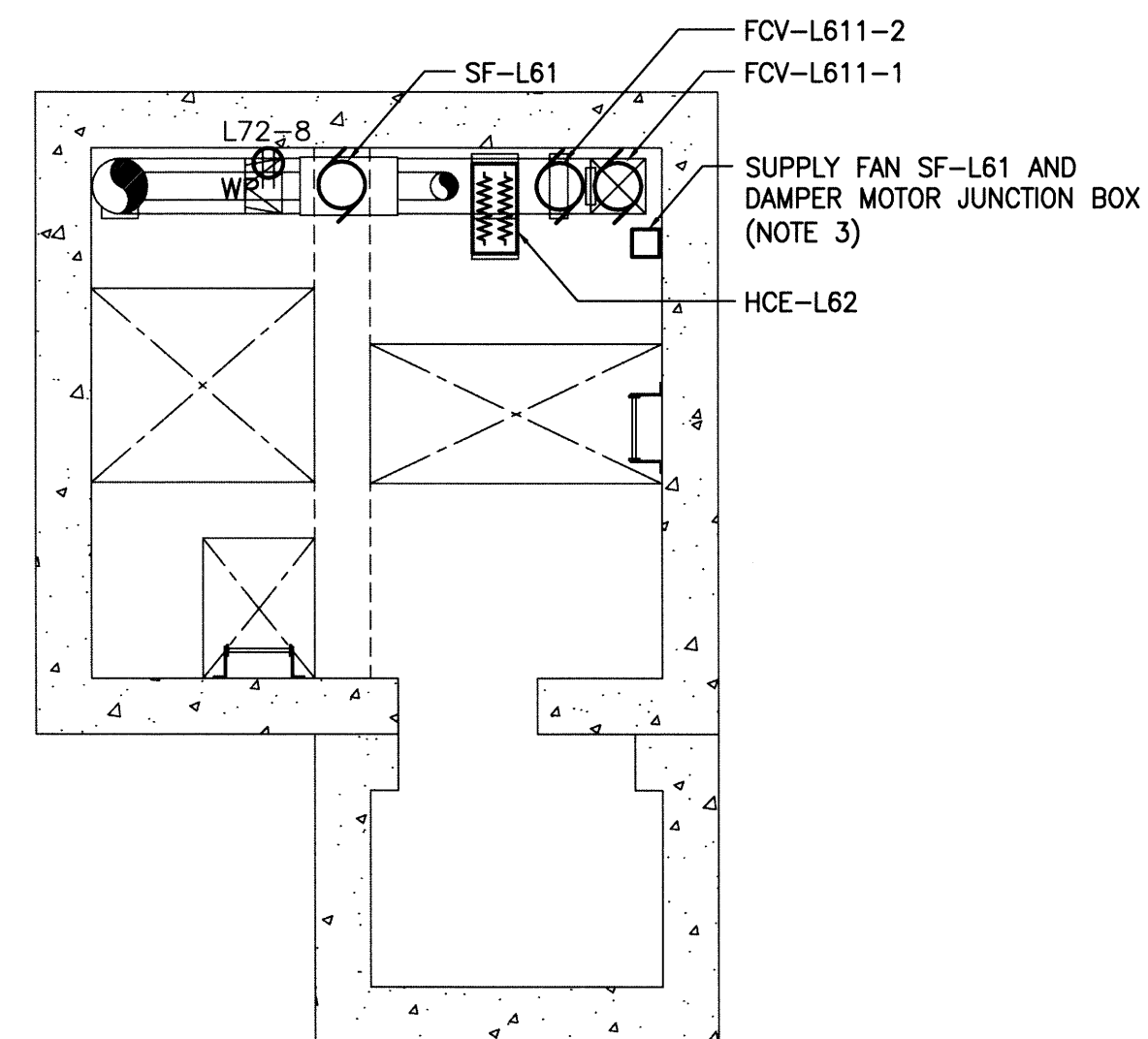


ELECTRICAL ROOM FLOOR PLAN

SCALE: 1:40



FLOOR PLAN - LOWER LEVEL 1

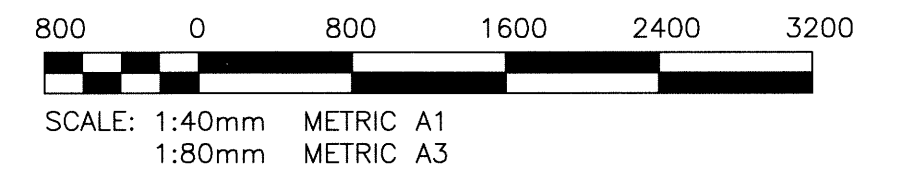
SCALE: 1:40

NOTES:

1. RECEPTACLE ON A DEDICATED 20A CIRCUIT FOR SUMP PUMP SP-L51 MOUNTED AT 1.2m AFF.
2. PROVIDE NEW JUNCTION BOX TO TERMINATE MTS SERVICE AND PROVIDE NEW PLYWOOD BACKBOARD AND CONDUIT FROM JUNCTION BOX TO BACKBOARD. COORDINATE ALL WORK WITH MTS AND PAY FOR ALL MTS CONTRIBUTION FEES AS REQUIRED.
3. REFER TO DRAWING 1-0116L-E0006-001 (E06) FOR SUPPLY FAN AND DAMPER MOTORS WIRING SCHEMATIC.

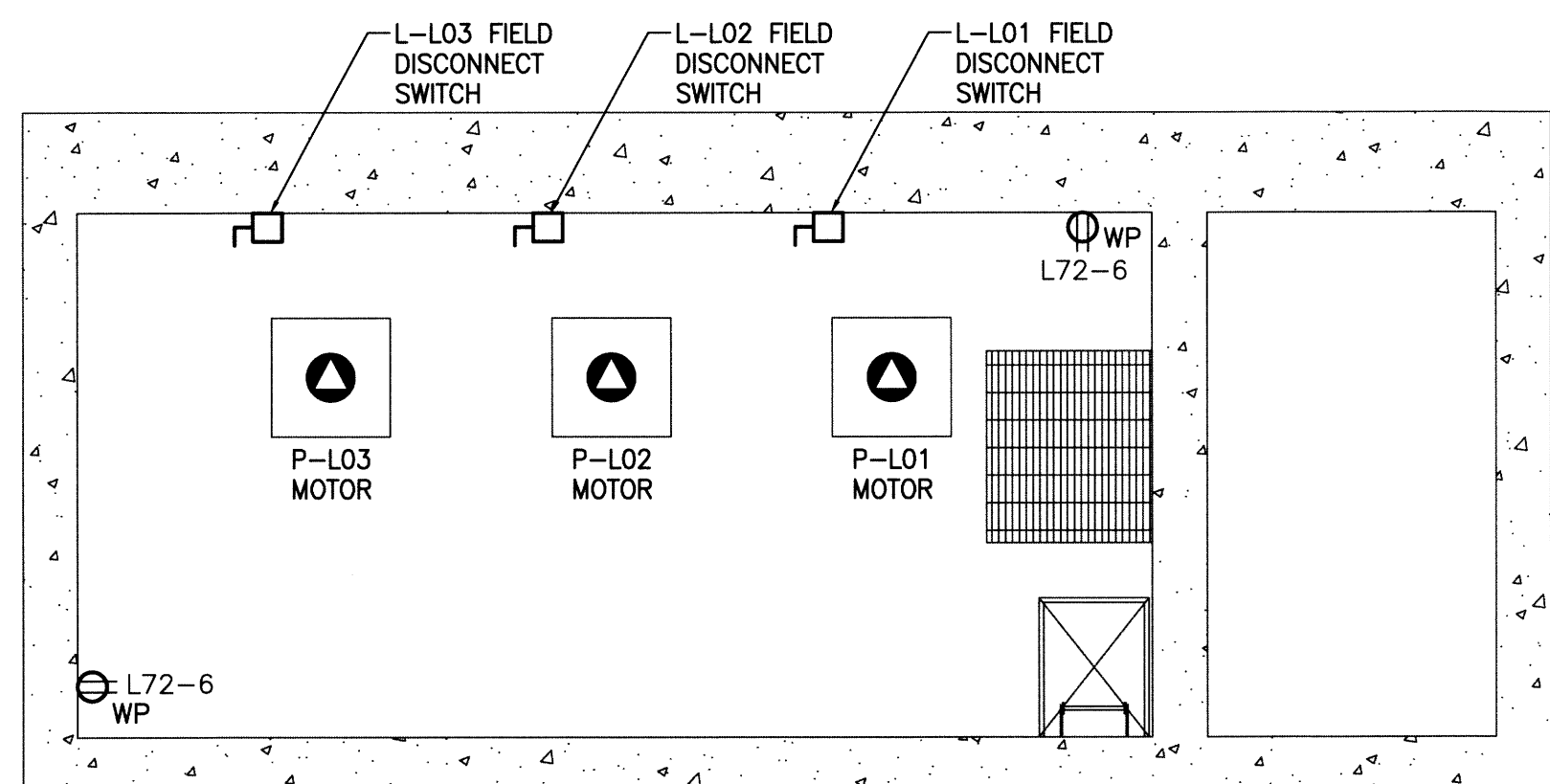
LEGEND:

- DUPLEX RECEPTACLE
- DENOTES:
GFI - GROUND FAULT INTERRUPTER
WP - WEATHERPROOF
- JUNCTION/OUTLET BOX
- 3Ø MOTOR LOAD
- 1Ø MOTOR LOAD
- LOCAL DISCONNECT SWITCH
WP-WEATHERPROOF
- HEATER



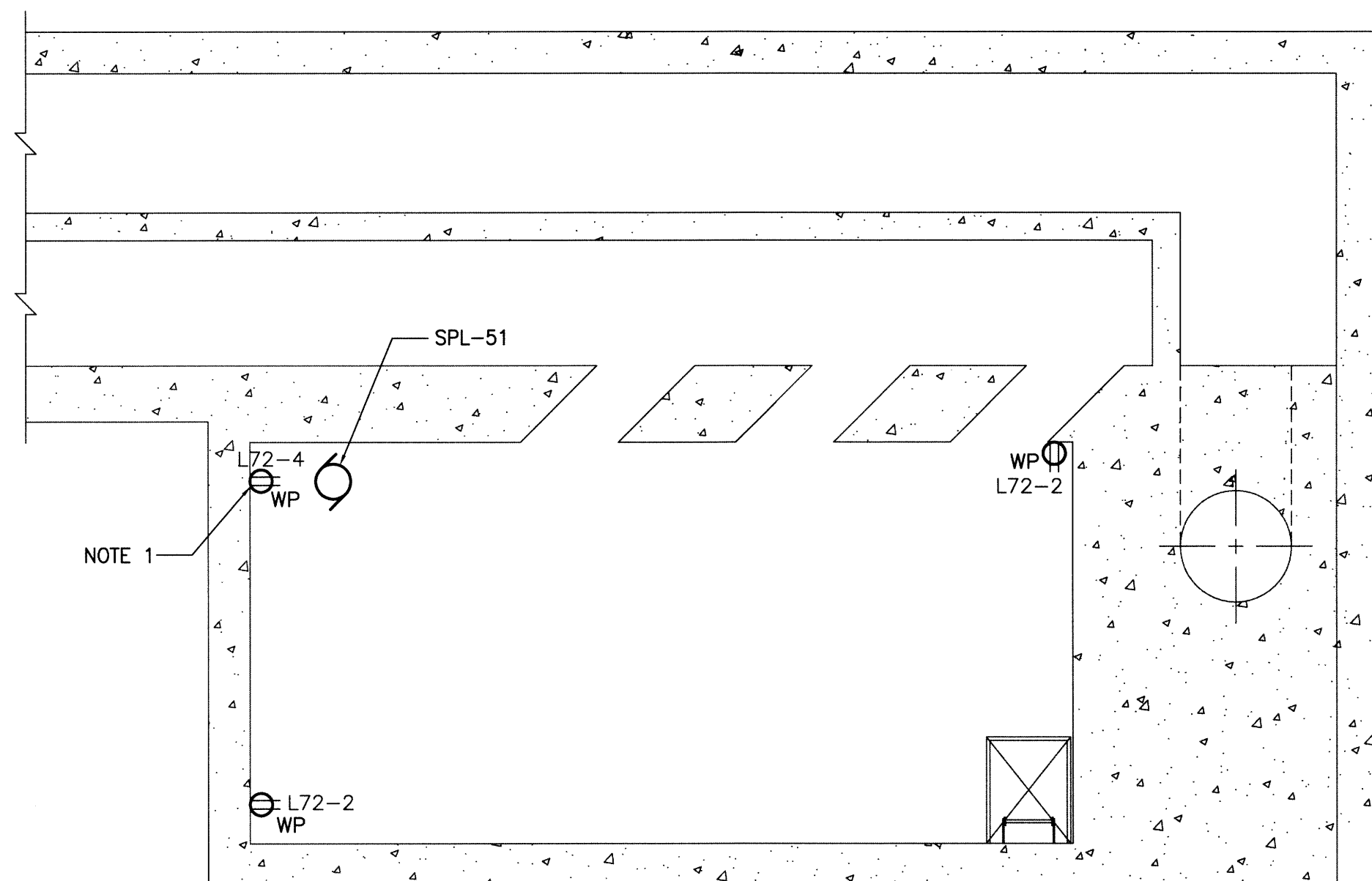
METRIC

WHOLE NUMBERS INDICATE MILLIMETRES
DECIMALIZED NUMBERS INDICATE METRES



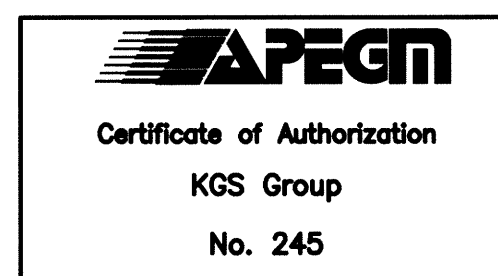
MOTOR ROOM - FLOOR PLAN

SCALE: 1:40



FLOOR PLAN - PUMP ROOM

SCALE: 1:40



FIELD BOOK #:				ENGINEER'S SEAL	
POSTED TO LBIS					
DESIGNED BY	DDJW	CHECKED BY	JAB	E11	
DRAWN BY	GCN	APPROVED BY	K.ZUREK		
HDR. SCALE	AS NOTED	RELEASED FOR CONSTRUCTION	DATE	2014/06/16	
VERTICAL	AS NOTED	DATE	2013 07 25		
NO.	REVISIONS	DATE	BY		

THE CITY OF WINNIPEG
 WATER AND WASTE DEPARTMENT
 AUBREY WASTEWATER PUMPING STATION UPGRADE
 1016 PALMERSTON AVE
ELECTRICAL
 POWER PLANS

SHEET X OF X
 CITY DRAWING NUMBER
 1-0116L-E0008-001